

# CUI DEVICES

page 1 of 1  
date 05/22/2020

**PART NUMBER:** CS-3624

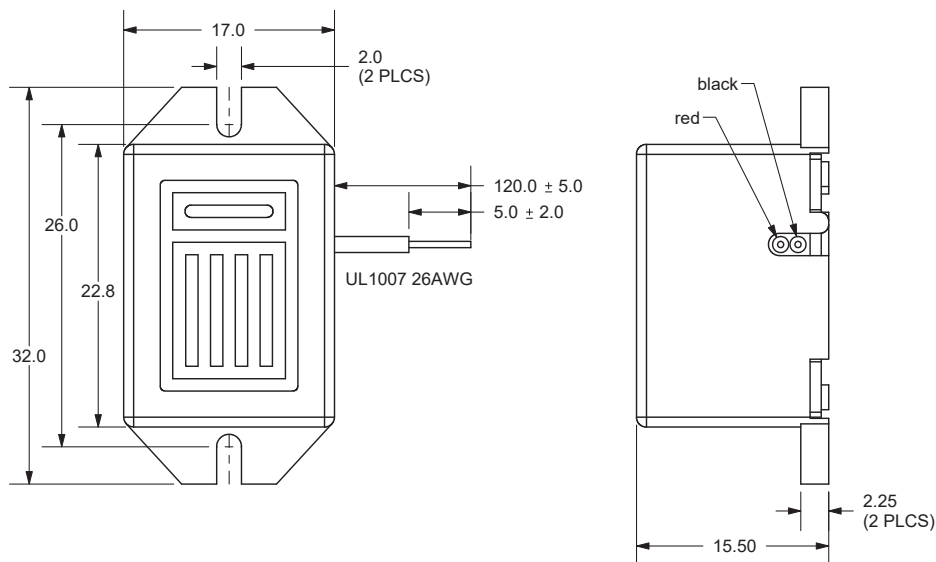
**DESCRIPTION:** solid state buzzer

## SPECIFICATONS

operating voltage	20 ~ 28 V DC	
current consumption	24 mA max.	at 24 V DC
sound pressure level	76 db min.	at 30 cm/24 V DC
tone	continuous	
operating temperature	-20 ~ +60° C	
storage temperature	-30 ~ +70° C	
weight	9.7 g max.	
RoHS	yes	

## APPEARANCE DRAWING

tolerance: ±0.5  
units: mm



## CURRENT CONSUMPTION/SOUND PRESSURE LEVEL

