

HDM500 SERIES

AC-DC MEDICAL SWITCHING PSU - 500 WATT



KEY FEATURES

Digital Power's HDM500 Series are switching power supplies that produce superior output wattages with natural convection. The series include enclosed, open frame and U bracket format with output voltage options of 12V, 15V, 24V and 48V. Featured with compact, low profile footprint, and best-in-class performance, HDM500 Series are optimal for Medical Applications.

Designed with energy saving in mind, Digital Power's HDM500 Series boasts not only high operating efficiency up to 93%, but also high-power density with full input range of 90-264Vac.

HDM500 operates over wide temperature range from -30°C to +70°C with complete protections and certified to UL / IEC / EN 60601 3.1 Edition Safety Approvals.

PRODUCT SPECIFICATION

Enclosed, U Bracket Switching Power Supply

- Remote ON/OFF Function
- 240 Watt with Free Air Convection
- 500 Watt with 30CFM FAN
- 4000VAC Input to Output 2MOPP Insulation
- Built-in 12V/0.3A Auxiliary Output
- Standby 5V@1A with Fan, @0.4A without Fan
- High Efficiency up to 93%
- With P.F.C. Function >0.94
- Current Share Function for Option (except for 115)
- Ultra Compact Size:
 - HDM500O: 5.03 x 3.0 x 1.38 Inches
 - HDM500U: 5.5 x 3.25 x 1.6 Inches
 - HDM500E: 5.5 x 3.25 x 2.42 Inches

ELECTRICAL SPECIFICATION - HDM5000 SERIES

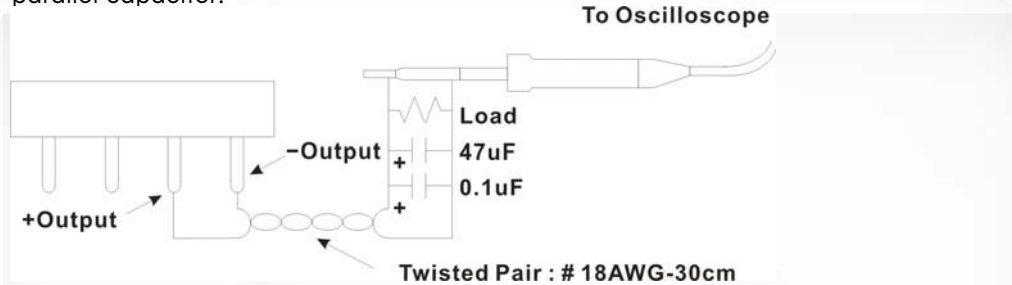
Model No.		HDM5000-112CS	HDM5000-115	HDM5000-124CS	HDM5000-148CS	
Max Output Wattage (W)		500 W (30CFM FAN)				
Max Output Wattage (W)		Others: 230 W (115 VAC) / 240 W (230 VAC)				
Max Output Wattage (W)		115: 210 W (115 VAC) / 220 W (230 VAC)				
Input	Voltage (Note 3)	90-264 VAC or 127-370 VDC				
	Frequency (Hz)	47-63 Hz				
	Current (Full load)	< 6.3 A max. (115 VAC) / <3.15 A max. (230 VAC)				
	Inrush Current (<2ms) (Cold Start)	< 40 A max. (115 VAC) / < 80 A max. (230 VAC)				
	Leakage Current	< 0.1 mA max. (Input-Output)				
	Power Factor (at 230 VAC)	PF>0.94 at Full Load				
Output	Voltage (V.DC.)	12V	15V	24V	48V	
	Voltage Accuracy	±2%				
	Voltage Adj. Range (V.DC)	±4% Output Voltage				
	Current (with 30CFM FAN) (A) (max.)	41.5	33.3	20.8	10.41	
	Current (Free air Convection) (A) max	at 115 VAC	19.16	14	9.58	4.8
		at 230 VAC	20	14.66	10	5
	Line Regulation (115-264 VAC)	±0.5%				
	Load Regulation (10-100%) (typ.)	±1%				
	Minimum Load	3%				
	Maximum Capacitive Load	5,000µF	3,750µF	2,500µF	1,250µF	
	Ripple & Noise (typ.)	160mV	160mV	240mV	480mV	
	Efficiency (at 230 VAC)	90.5%	90.5%	92%	93%	
	Hold-up Time (at 115 VAC)	8 ms min.				
Protection	Over Power Protection	Auto recovery				
	Over Voltage Protection	Auto recovery				
	Over Temperature Protection	Auto recovery				
	Short Circuit Protection	Protection level 1 (nominal) : Continuous, Auto recovery Protection level 2 (instantaneous high current) : Latch				
Isolation	Input-Output (V.AC)	4000VAC or 5656VDC				
	Input-PE (V.AC)	2000V				
	Output-PE (V.AC)	1500V				
Environment	Operating Temperature	-30°C...+70°C (with derating)				
	Storage Temperature	-35°C...+85°C				
	Temperature Coefficient	±0.03%/°C (0~50°C)				
	Altitude During Operation	5000m				
	Humidity	95% RH				
	Atmospheric Pressure	56 kPa to 106 kPa				
	MTBF	>160,000 h @ 25°C (MIL-HDBK-217F)				
	Vibration	IEC60068-2-6 (10~500Hz, 2G 10min./1cycle, 60min. each along X, Y, Z axes)				
	Shock	IEC60068-2-27				
Physical	Dimensions (L x W x H)	5.03 x 3.0 x 1.38 Inches (127.8 x 76.2 x 35.0 mm) Tolerance 0.5 mm				
	Weight	480 g				
	Cooling Method	Free convection / 30 CFM FAN				
Safety	Approval	Others: UL / IEC / EN 60601 3.1 st Edition & UL / IEC / EN 60950 AM2				
		115: UL / IEC / EN 60601 3.1 st Edition				
EMC	Conducted and Radiated EMI	EN55011 / conducted class B, Radiated Class A				
	EMS	EN60601-1-2 4th edition				

All specifications valid at normal input voltage, full load and +25°C after warm-up time unless otherwise stated.

ELECTRICAL SPECIFICATION - HDM500 SERIES

NOTE

- Ripple & Noise are measured at 20MHz of bandwidth with ceramic 0.1uF & chemi-con KY 47uF parallel capacitor.



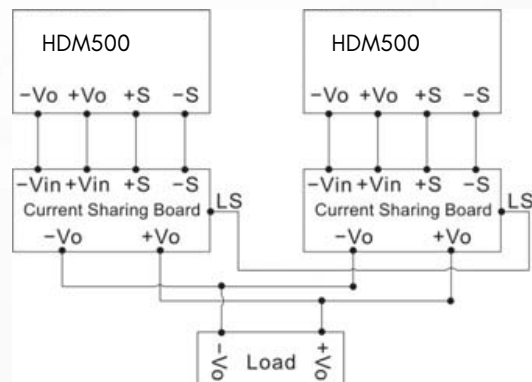
A 30cm twisted pair of no.18 AWG copper wire is connected to a 47uF and 0.1uF capacitor of proper polarity and voltage rating. The oscilloscope probe ground lead should connect right to the ground ring of the probe and be as short as possible. The oscilloscope bandwidth should be at 20MHz and connected to AC ground.

- Hold-up Time measured at 90% Vout.
- Please check the derating curve for more details.
- Main Vout >3% Load, 12V (Aux) / 0.3A., 12V (Aux) need 0.1A Minimum Load, Auxiliary voltage output ground 10.2~13.3V
- Strongly recommend to conduct this test with DC Voltage. If customer wishes to test with AC Voltage, please disconnect all Y-Capacitors from Digital Power power supply.
- Current Share Board (Optional):
 - The output voltage difference of each parallel single element should be less than 0.2V.
 - Output power at parallel operation = rated power per unit x number of unit x 90%
 - Connect in parallel no more than 2 units.

Please contact Digital Power for advice if more than 2 is needed.

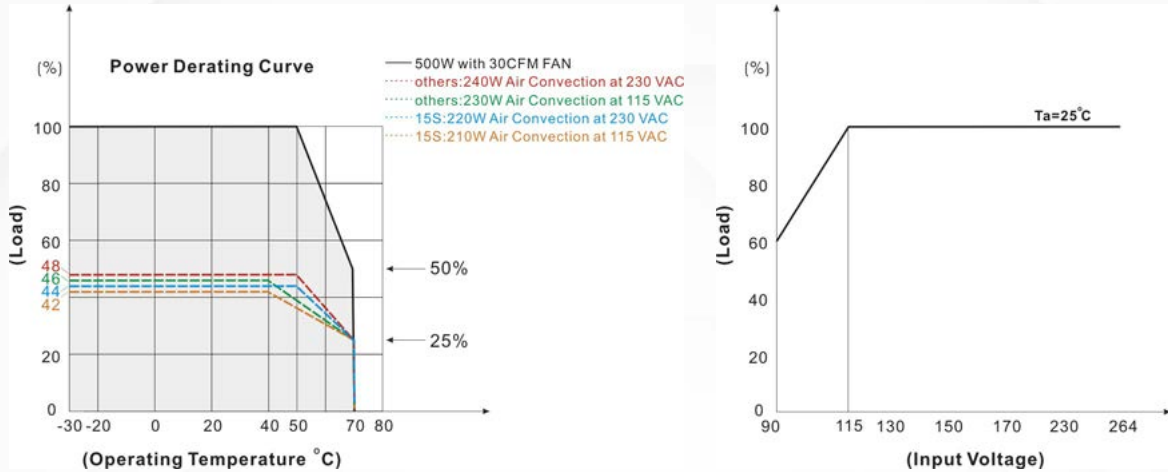
(d.) Minimum Load Should be 15%.

- CAUTION: Double pole, neutral fusing.
Disconnect mains before servicing.

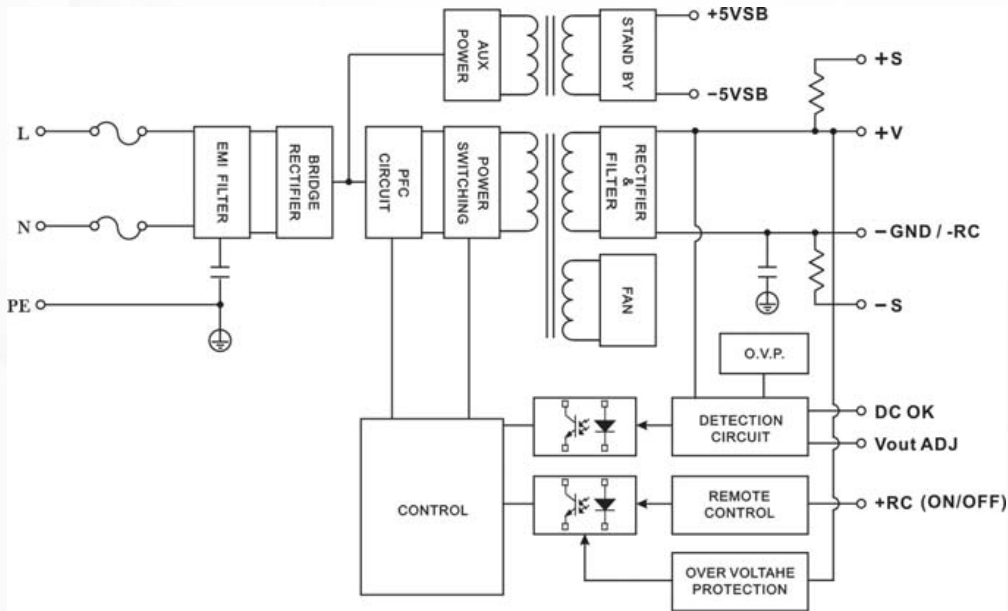


ELECTRICAL SPECIFICATION - HDM500O SERIES

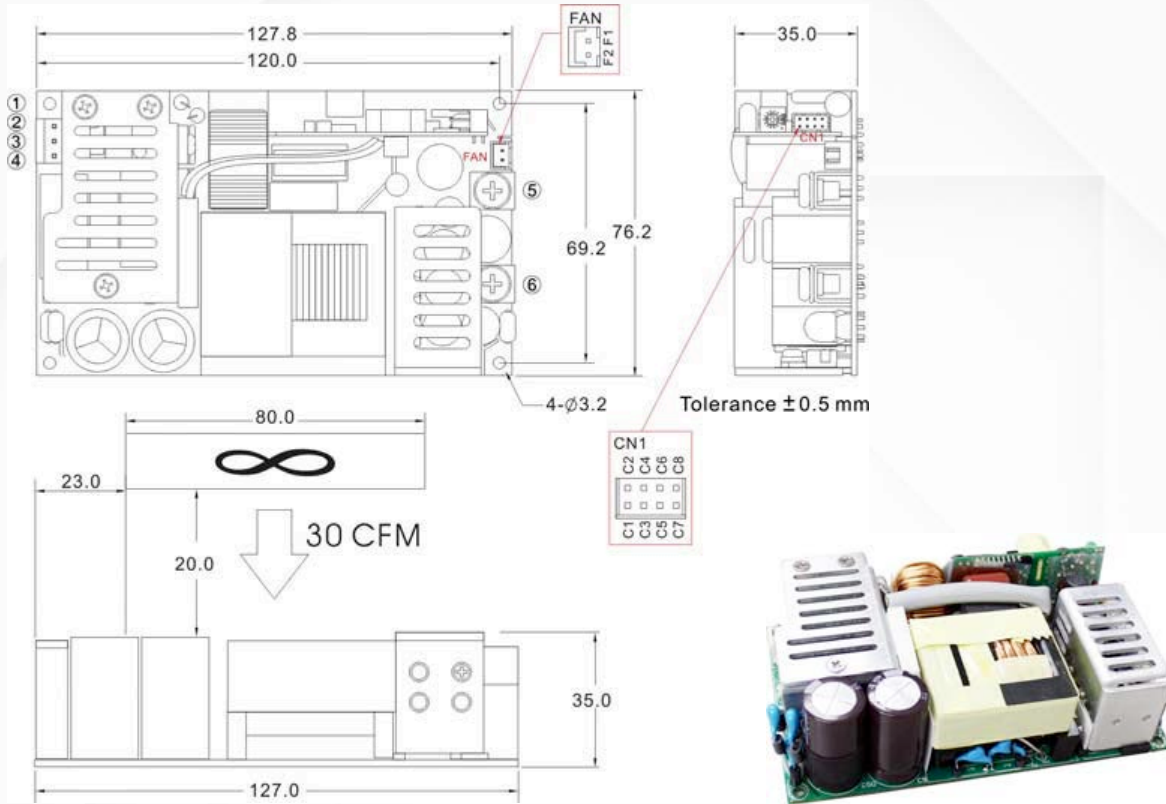
DERATING



BLOCK DIAGRAM



MECHANICAL DIMENSIONS- HDM5000 SERIES



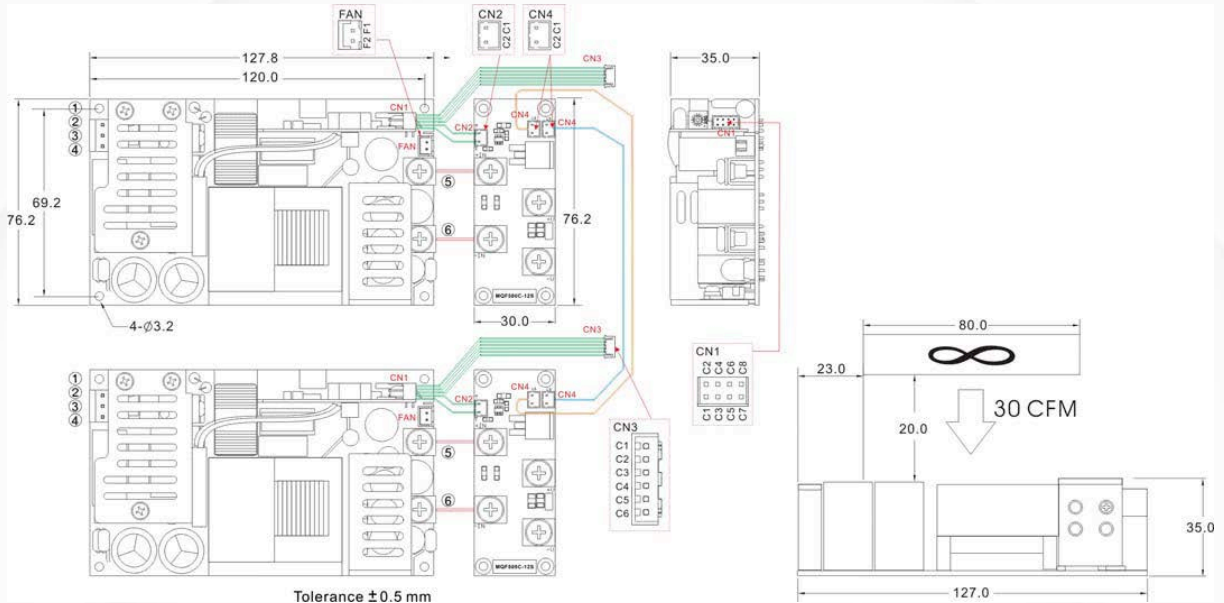
Brands		Alex		JST	
PIN#	Single	Mating Housing	Terminal	Mating Housing	Terminal
1	PE	—	—	—	—
2	AC IN (N)	9396-3	96T series	VHR-3N	SVH-4IT-P1.1
3	NO PIN				
4	AC IN (L)	Terminal : M5 Pan HD screw in 2 positions. Torque to 8 lbs-in(90cNm) max			
5	+DC OUT				
6	-DC OUT				

Connector Pin (FAN)					
Brands		Alex		JST	
PIN#	Single	Mating Housing	Terminal	Mating Housing	Terminal
F1	+12V	CX-H250-02	CX-T2501	XHP-2	SXH-002T-P0.6
F2	GND				

Connector Pin (CNI)					
Brands		Cheng Weei		JST	
PIN#	Single	Mating Housing	Terminal	Mating Housing	Terminal
C1	-5V SB	PHD-H20-2X4P	PHD-T20	PHDR-08VS	SPHD-001T-P0.5
C2	+5V SB				
C3	GND				
C4	DC-OK				
C5	-RC				
C6	+RC				
C7	-S				
C8	+S				

MECHANICAL DIMENSIONS- HDM5000 SERIES

HDM5000 with Current Share Function



Brands		Alex		JST	
PIN#	Single	Mating Housing	Terminal	Mating Housing	Terminal
1	PE	—	—	—	—
2	AC IN (N)	9396-3	96T series	VHR-3N	SVH-4IT-P1.1
3	NO PIN				
4	AC IN (L)	Terminal : M5 Pan HD screw in 2 positions. Torque to 8 lbs-in(90cNm) max			
5	+DC OUT				
6	-DC OUT				

Connector Pin (FAN)

Brands		Alex		JST	
PIN#	Single	Mating Housing	Terminal	Mating Housing	Terminal
F1	+12V	CX-H250-02	CX-T2501	XHP-2	SXH-002T-P0.6
F2	GND				

Connector Pin (CNI)

Brands		Cherng Weei		JST	
PIN#	Single	Mating Housing	Terminal	Mating Housing	Terminal
C1	-5V SB	PHD-H20-2X4P	PHD-T20	PHDR-08VS	SPHD-001T-P0.5
C2	+5V SB				
C3	GND				
C4	DC-OK				
C5	-RC				
C6	+RC				
C7	-S				
C8	+S				

Connector Pin (CN2)

Brands		Cherng Weei		JST	
PIN#	Single	Mating Housing	Terminal	Mating Housing	Terminal
C1	-S	CP-H20-02	CP-T20B	PHR-2	SPH-002T-P0.5L
C2	+S				

MECHANICAL DIMENSIONS- HDM5000 SERIES

Mating Housing Pin (CN3)					
Brands		Cherng Weei		JST	
PIN#	Single	Connector		Connector	
C1	-5V SB	CP-W20-06		B6B-PH-K-S	
C2	+5V SB				
C3	GND				
C4	DC-OK				
C5	-RC				
C6	+RC				

Connector Pin (CN4)					
Brands		Cherng Weei		JST	
PIN#	Single	Mating Housing	Terminal	Mating Housing	Terminal
C1	LS	CP- H20-02	CP- T20B	PHR-2	SPH-002T- P0.5L
C2	LS				

FUNCTION DESCRIPITON of CN1 and CN3 (CN3 without C7 and C8 pin)

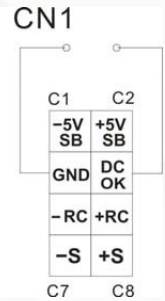
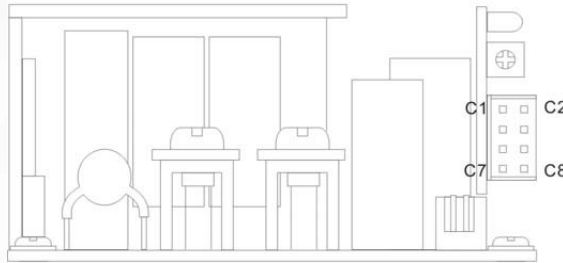
Pin No.	Function	Description
C1	-5VSB	This pin connects to the negative terminal(-V). Return for DC-OK and -RC signal output.
C2	+5VSB	Stand by voltage output ground 4.2~5.5V, referenced to pin C1(-5VSB). The maximum load current is 1A with Fan, 0.4A without Fan..
C3	GND	This pin connects to the negative terminal(-V). Return for DC-OK and -RC signal output.
C4	DC OK	DC-OK Signal is a DC output, referenced to pin C3(DC-OK GND).
C5	-RC	This pin connects to the negative terminal(-V). Return for DC-OK and -RC signal output.
C6	+RC	Turns the output on and off by electrical or dry contact between pin C5 (-RC), Short: Power OFF, Open: Power ON. The input voltage must be less than 1V in order to disable VOUT and greater than 3.3V (up to 5V) to enable it.
C7	-S	Negative sensing. The -S signal should be connected to the negative terminal of the load. The -S and +S leads should be twisted in pair to minimize noise pick-up effect.
C8	+S	Positive sensing. The +S signal should be connected to the positive terminal of the load. The +S and -S leads should be twisted in pair to minimize noise pick-up effect.

MECHANICAL DIMENSIONS- HDM5000 SERIES

FUNCTION MANUAL & APPLICATION NOTE

1. DC-OK Signal

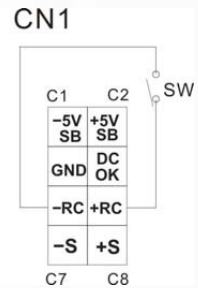
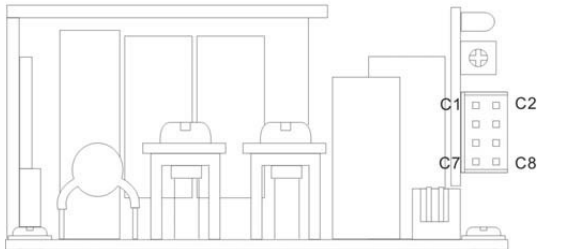
Between DC-OK and GND	Output Status
3.7~6V	ON
0~1V	OFF



2. Remote Control

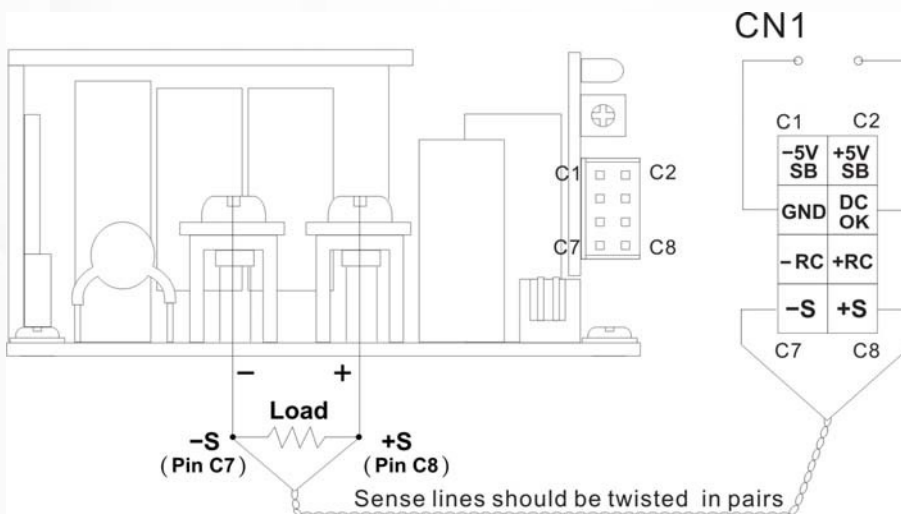
It can be turned ON/OFF by using the "Remote Control" function.

Between +RC and -RC	Output Status
SW ON (Short)	OFF
SW OFF (Open)	ON



3. +S and -S Sense

Shorter wiring to each unit is recommended, as well as twisting +S and -S in pairs, as shown below



ELECTRICAL SPECIFICATION - HDM500U SERIES

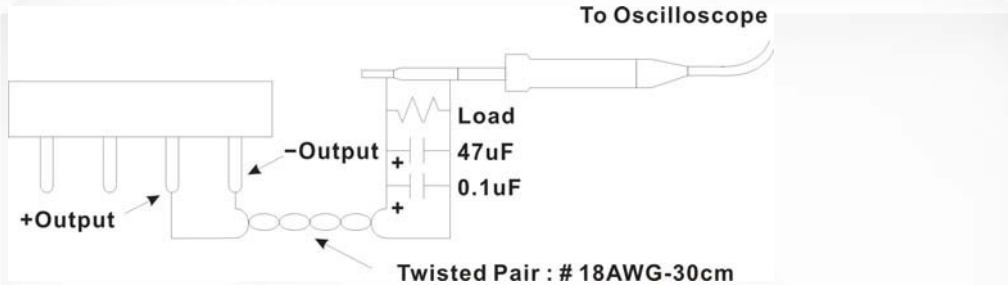
Model No.		HDM500U-112CS	HDM500U-115	HDM500U-124CS	HDM500U-148CS	
Max Output Wattage (W)		500 W (30CFM FAN)				
Max Output Wattage (W)		Others: 190 W (115 VAC) / 200 W (230 VAC)				
Max Output Wattage (W)		115: 170 W (115 VAC) / 180 W (230 VAC)				
Input	Voltage (Note 3)	90-264 VAC or 127-370 VDC				
	Frequency (Hz)	47-63 Hz				
	Current (Full load)	< 6.3 A max. (115 VAC) / <3.15 A max. (230 VAC)				
	Inrush Current (<2ms) (Clod Start)	< 40 A max. (115 VAC) / < 80 A max. (230 VAC)				
	Leakage Current	< 0.1 mA max. (Input-Output)				
	Power Factor (at 230 VAC)	PF>0.94 at Full Load				
Output	Voltage (V.DC.)	12V	15V	24V	48V	
	Voltage Accuracy	±2%				
	Voltage Adj. Range (V.DC)	±4% Output Voltage				
	Current (with 30CFM FAN) (A) max	41.5	33.3	20.8	10.41	
	Current (Free air Convection) (A) max	at 115 VAC	15.83	11.33	7.91	3.96
		at 230 VAC	16.6	12	8.33	4.17
	Line Regulation (115-264 VAC)	±0.5%				
	Load Regulation (10-100%) (typ.)	±1%				
	Minimum Load	3%				
	Maximum Capacitive Load	5,000µF	3,750µF	2,500µF	1,250µF	
	Ripple & Noise (typ.)	160mV	160mV	240mV	480mV	
	Efficiency (at 230 VAC)	90.5%	90.5%	92%	93%	
	Hold-up Time (at 115 VAC)	8 ms min.				
Protection	Over Power Protection	Auto recovery				
	Over Voltage Protection	Auto recovery				
	Overt Temperature Protection	Auto recovery				
	Short Circuit Protection	Protection level 1 (nominal) : Continuous, Auto recovery Protection level 2 (instantaneous high current) : Latch				
Isolation	Input-Output (V.AC)	4000VAC or 5656VDC				
	Input-PE (V.AC)	2000V				
	Output-PE (V.AC)	1500V				
Environment	Operating Temperature	-30°C...+70°C (with derating)				
	Storage Temperature	-35°C...+85°C				
	Temperature Coefficient	±0.03%/°C (0~50°C)				
	Altitude During Operation	5000m				
	Humidity	95% RH				
	Atmospheric Pressure	56 kPa to 106 kPa				
	MTBF	>160,000 h @ 25°C (MIL-HDBK-217F)				
	Vibration	IEC60068-2-6 (10~500Hz, 2G 10min./1cycle, 60min. each along X, Y, Z axes)				
	Shock	IEC60068-2-27				
Physical	Dimension s(L x W x H)	5.5 x 3.25 x 1.6 Inches (139.7 x 82.55 x 40.6 mm) Tolerance 0.5 mm				
	Weight	580 g				
	Cooling Method	Free convection / 30 CFM FAN				
Safety	Approval	Others: UL / IEC / EN 60601 3.1 st Edition & UL / IEC / EN 60950 AM2				
	Approval	115: UL / IEC / EN 60601 3.1 st Edition				
EMC	Conducted and Radiated EMI	EN55011 / conducted class B, Radiated Class A				
	EMS	EN60601-1-2 4th edition				

All specifications valid at normal input voltage, full load and +25°C after warm-up time unless otherwise stated.

ELECTRICAL SPECIFICATION - HDM500U SERIES

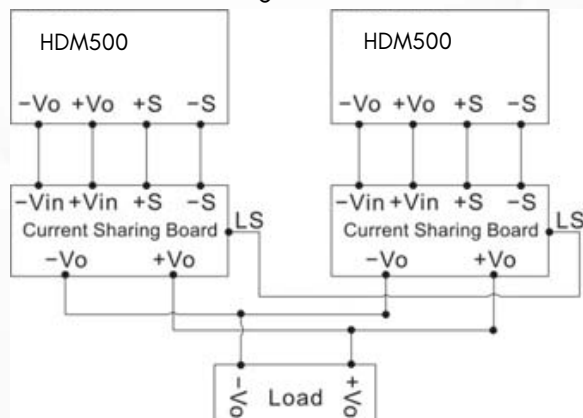
NOTE

- Ripple & Noise are measured at 20MHz of bandwidth with ceramic 0.1uF & chemi-con KY 47uF parallel capacitor.



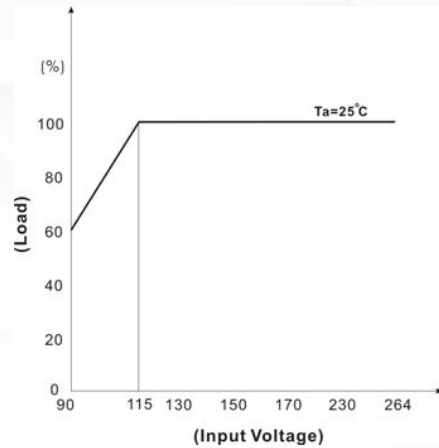
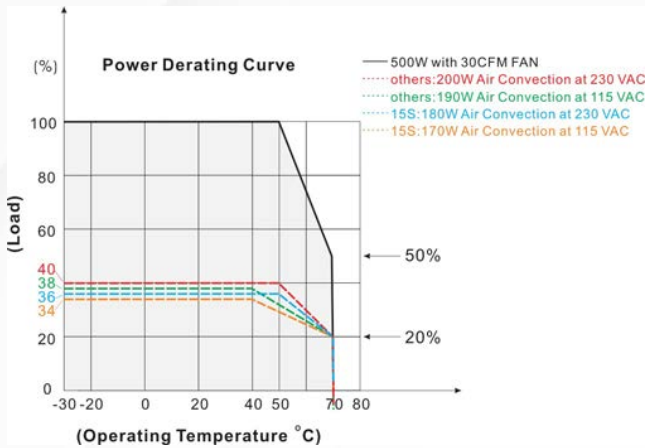
A 30cm twisted pair of no.18 AWG copper wire is connected to a 47uF and 0.1uF capacitor of proper polarity and voltage rating. The oscilloscope probe ground lead should connect right to the ground ring of the probe and be as short as possible. The oscilloscope bandwidth should be at 20MHz and connected to AC ground.

- Hold-up Time measured at 90% Vout.
- Please check the derating curve for more details.
- Main Vout >3% Load, 12V (Aux) / 0.3A., 12V (Aux) need 0.1A Minimum Load, Auxiliary voltage output ground 10.2~13.3V
- Strongly recommend to conduct this test with DC Voltage. If customer wishes to test with AC Voltage, please disconnect all Y-Capacitors from Digital Power power supply.
- Current Share Board (Optional):
 - The output voltage difference of each parallel single element should be less than 0.2V.
 - Output power at parallel operation = rated power per unit x number of unit x 90%
 - Connect in parallel no more than 2 units. Please contact Digital Power for advice if more than 2 is needed.
 - Minimum Load Should be 15%.
- CAUTION: Double pole, neutral fusing. Disconnect mains before servicing.

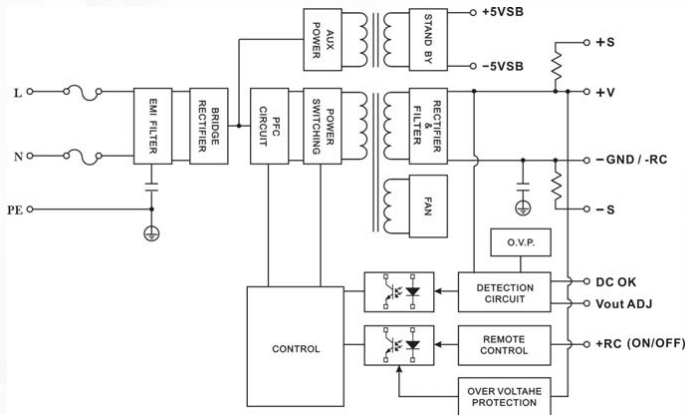


ELECTRICAL SPECIFICATION - HDM500U SERIES

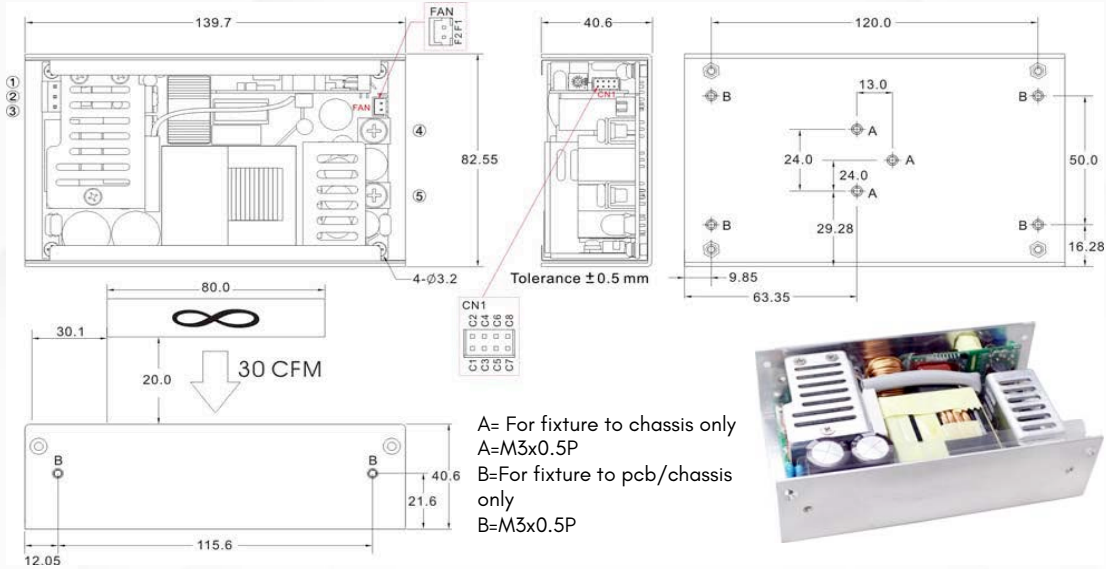
DERATING



BLOCK DIAGRAM

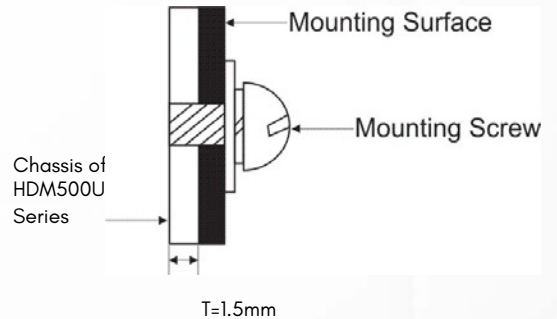


MECHANICAL DIMENSIONS – HDM500U SERIES



Brands		Alex		JST	
PIN#	Single	Mating Housing	Terminal	Mating Housing	Terminal
A,B	PE	—	—	—	—
1	AC IN (N)	9396-3	96T series	VHR-3N	SVH-4IT-P1.1
2	NO PIN				
3	AC IN (L)				
4	+DC OUT	Terminal : M5 Pan HD screw in 2 positions. Torque to 8 lbs-in(90cNm) max			
5	-DC OUT				

ASSEMBLY INSTRUCTIONS
U Case T=1.5mm
Customer is advised to screw into the threads no more than 1.5mm

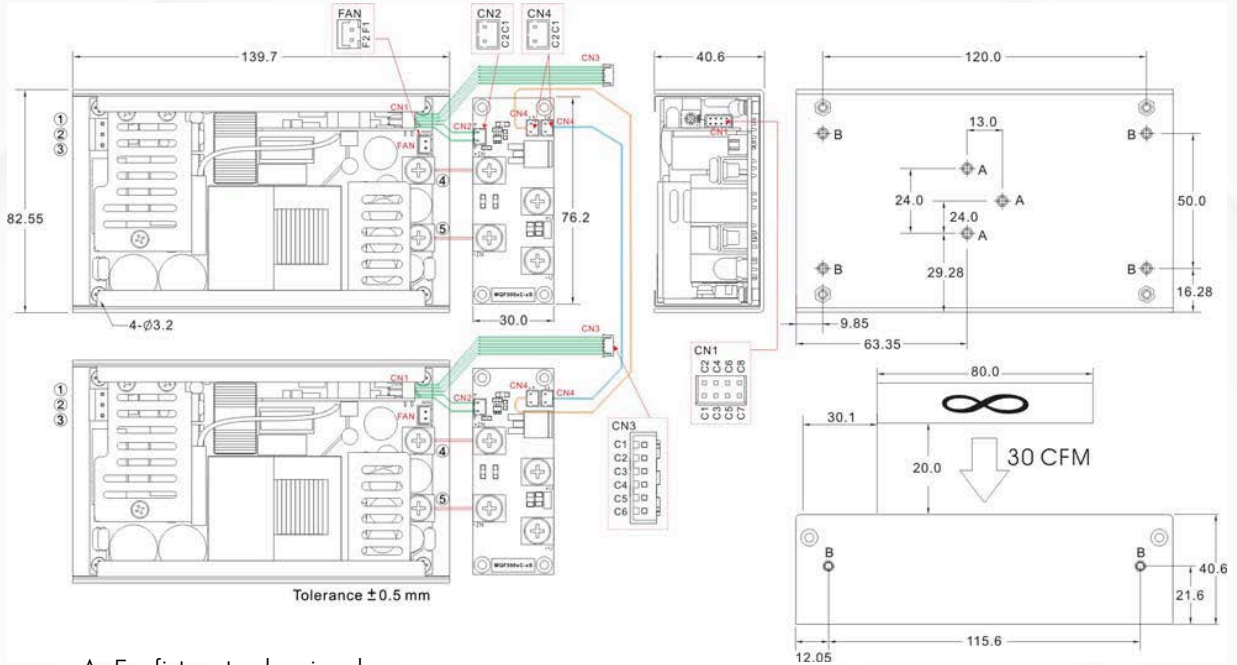


Connector Pin (CN1)					
Brands		Cherng Weei		JST	
PIN#	Single	Mating Housing	Terminal	Mating Housing	Terminal
C1	-5V SB	PHD-H20-2X4P	PHD-T20	PHDR-08VS	SPHD-001T- P0.5
C2	+5V SB				
C3	GND				
C4	DC-OK				
C5	-RC				
C6	+RC				
C7	-S				
C8	+S				

Connector Pin (FAN)					
Brands		Alex		JST	
PIN#	Single	Mating Housing	Terminal	Mating Housing	Terminal
F1	+12V	CX-H250-02	CX-T2501	XHP-2	SXH-002T-P0.6
F2	GND				

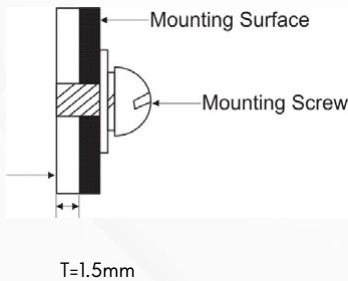
MECHANICAL DIMENSIONS- HDM500U SERIES

HDM500U with Current Share Function



- A= For fixture to chassis only
- A=M3x0.5P
- B=For fixture to pcb/chassis only
- B=M3x0.5P

ASSEMBLY INSTRUCTIONS
U Case T=1.5mm
Customer is advised to screw into the threads no more than 1.5mm



Chassis of HDM500U Series

Brands		Alex		JST	
PIN#	Single	Mating Housing	Terminal	Mating Housing	Terminal
A,B	PE	—	—	—	—
1	AC IN (N)	9396-3	96T series	VHR-3N	SVH-4IT-P1.1
2	NO PIN				
3	AC IN (L)				
4	+DC OUT	Terminal : M5 Pan HD screw in 2 positions. Torque to 8 lbs-in(90cNm) max			
5	-DC OUT				

Connector Pin (FAN)					
Brands		Alex		JST	
PIN#	Single	Mating Housing	Terminal	Mating Housing	Terminal
F1	+12V	CX- H250-02	CX- T2501	XHP-2	SXH-002T-P0.6
F2	GND				

MECHANICAL DIMENSIONS- HDM500U SERIES

Connector Pin (CN1)					
Brands		Cherng Weei		JST	
PIN#	Single	Mating Housing	Terminal	Mating Housing	Terminal
C1	-5V SB	PHD-H20-2X4P	PHD-T20	PHDR-08VS	SPHD-001T- P0.5
C2	+5V SB				
C3	GND				
C4	DC-OK				
C5	-RC				
C6	+RC				
C7	-S				
C8	+S				

Mating Housing Pin (CN3)			
Brands		Cherng Weei	JST
PIN#	Single	Connector	Connector
C1	-5V SB	CP-W20-06	B6B-PH-K-S
C2	+5V SB		
C3	GND		
C4	DC-OK		
C5	-RC		
C6	+RC		

Connector Pin (CN2)					
Brands		Cherng Weei		JST	
PIN#	Single	Mating Housing	Terminal	Mating Housing	Terminal
C1	-S	CP-H20-02	CP- T20B	PHR-2	SPH-002T- P0.5L
C2	+S				

Connector Pin (CN4)					
Brands		Cherng Weei		JST	
PIN#	Single	Mating Housing	Terminal	Mating Housing	Terminal
C1	LS	CP- H20-02	CP- T20B	PHR-2	SPH-002T- P0.5L
C2	LS				

FUNCTION DESCRIPITON of CN1 and CN3 (CN3 without C7 and C8 pin)

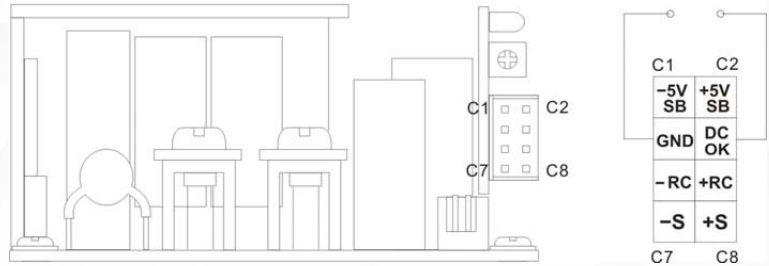
Pin No.	Function	Description
C1	-5VSB	This pin connects to the negative terminal(-V). Return for DC-OK and -RC signal output.
C2	+5VSB	Stand by voltage output ground 4.2~5.5V, referenced to pin C1(-5VSB). The maximum load current is 1A with Fan, 0.4A without Fan..
C3	GND	This pin connects to the negative terminal(-V). Return for DC-OK and -RC signal output.
C4	DC OK	DC-OK Signal is a DC output, referenced to pin C3(DC-OK GND).
C5	-RC	This pin connects to the negative terminal(-V). Return for DC-OK and -RC signal output.
C6	+RC	Turns the output on and off by electrical or dry contact between pin C5 (-RC), Short: Power OFF, Open: Power ON. The input voltage must be less than 1V in order to disable VOUT and greater than 3.3V (up to 5V) to enable it.
C7	-S	Negative sensing. The -S signal should be connected to the negative terminal of the load. The -S and +S leads should be twisted in pair to minimize noise pick-up effect.
C8	+S	Positive sensing. The +S signal should be connected to the positive terminal of the load. The +S and -S leads should be twisted in pair to minimize noise pick-up effect.

MECHANICAL DIMENSIONS- HDM500U SERIES

FUNCTION MANUAL & APPLICATION NOTE

1. DC-OK Signal

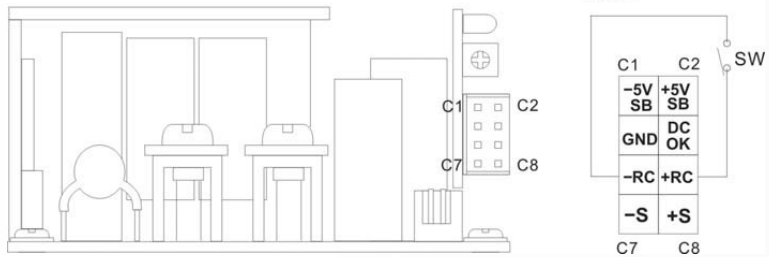
Between DC-OK and GND	Output Status
3.7~6V	ON
0~1V	OFF



2. Remote Control

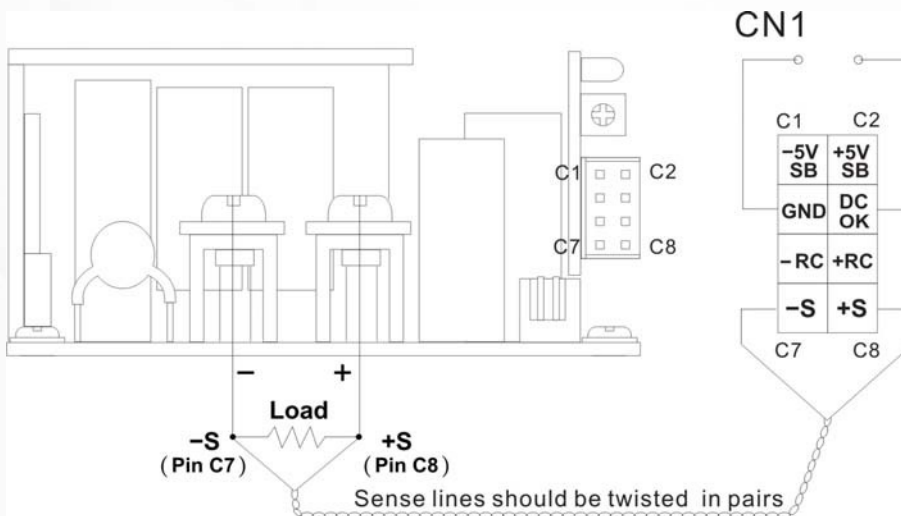
It can be turned ON/OFF by using the "Remote Control" function.

Between +RC and -RC	Output Status
SW ON (Short)	OFF
SW OFF (Open)	ON



3. +S and -S Sense

Shorter wiring to each unit is recommended, as well as twisting +S and -S in pairs, as shown below



ELECTRICAL SPECIFICATION - HDM500E SERIES

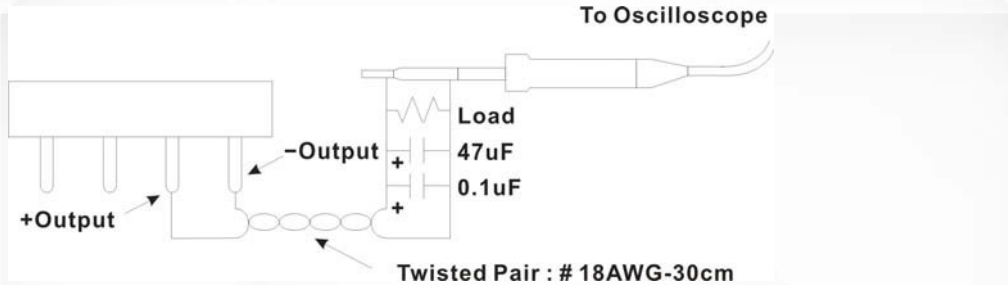
Model No.	HDM500E-112CS	HDM500E-115	HDM500E-124CS	HDM500E-148CS	
Max Output Wattage (W)	500 W				
Input	Voltage (Note 3)	90-264 VAC or 127-370 VDC			
	Frequency (Hz)	47-63 Hz			
	Current (Full load)	< 6.3 A max. (115 VAC) / <3.15 A max. (230 VAC)			
	Inrush Current (<2ms) (Cold Start)	< 40 A max. (115 VAC) / < 80 A max. (230 VAC)			
	Leakage Current	< 0.1 mA max. (Input-Output)			
	Power Factor (at 230 VAC)	PF>0.94 at Full Load			
Output	Voltage (V.DC.)	12V	15V	24V	48V
	Voltage Accuracy	±2%			
	Voltage Adj. Range (V.DC)	±4% Output Voltage			
	Current (A) (max.)	41.5	33.3	20.8	10.41
	Line Regulation (115-264 VAC)	±0.5%			
	Load Regulation (10-100%) (typ.)	±1%			
	Minimum Load	3%			
	Maximum Capacitive Load	5,000µF	3,750µF	2,500µF	1,250µF
	Ripple & Noise (typ.)	160mV	160mV	240mV	480mV
	Efficiency (at 230 VAC)	89%	89%	91%	92%
	Hold-up Time (at 115 VAC)	8 ms min.			
	Protection	Over Power Protection	Auto recovery		
Over Voltage Protection		Auto recovery			
Overt Temperature Protection		Auto recovery			
Short Circuit Protection		Protection level 1 (nominal) : Continuous, Auto recovery Protection level 2 (instantaneous high current) : Latch			
Isolation	Input-Output (V.AC)	4000VAC or 5656VDC			
	Input-PE (V.AC)	2000V			
	Output-PE (V.AC)	1500V			
Environment	Operating Temperature	-30°C...+70°C (with derating)			
	Storage Temperature	-35°C...+85°C			
	Temperature Coefficient	±0.03%/°C (0~50°C)			
		±0.06%/°C (-30~0°C)			
	Altitude During Operation	5000m			
	Humidity	95% RH			
	Atmospheric Pressure	56 kPa to 106 kPa			
	MTBF	>160,000 h @ 25°C (MIL-HDBK-217F)			
Vibration	IEC60068-2-6 (10~500Hz, 2G 10min./1cycle, 60min. each along X, Y, Z axes)				
Shock	IEC60068-2-27				
Physical	Dimensions (L x W x H)	5.5 x 3.25 x 2.42 Inches (139.7 x 82.55 x 61.4 mm) Tolerance 0.5 mm			
	Weight	690 g			
Safety	Approval	Others: UL / IEC / EN 60601 3.1 st Edition & UL / IEC / EN 60950 AM2			
		115: UL / IEC / EN 60601 3.1 st Edition			
EMC	Conducted and Radiated EMI	EN55011 / conducted class B, Radiated Class A			
	EMS	EN60601-1-2 4th edition			

All specifications valid at normal input voltage, full load and +25°C after warm-up time unless otherwise stated.

ELECTRICAL SPECIFICATION - HDM500E SERIES

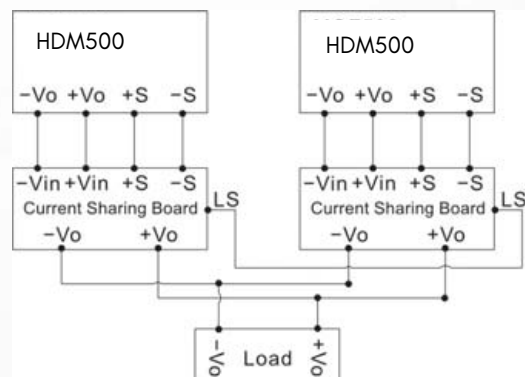
NOTE

- Ripple & Noise are measured at 20MHz of bandwidth with ceramic 0.1uF & chemi-con KY 47uF parallel capacitor.



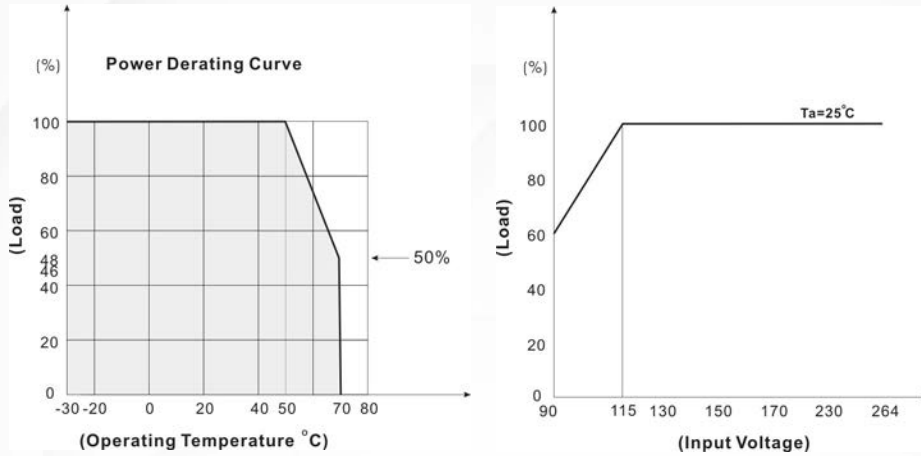
A 30cm twisted pair of no.18 AWG copper wire is connected to a 47uF and 0.1uF capacitor of proper polarity and voltage rating. The oscilloscope probe ground lead should connect right to the ground ring of the probe and be as short as possible. The oscilloscope bandwidth should be at 20MHz and connected to AC ground.

- Hold-up Time measured at 90% Vout.
- Please check the derating curve for more details.
- Main Vout >3% Load, 12V (Aux) / 0.3A., 12V (Aux) need 0.1A Minimum Load, Auxiliary voltage output ground 10.2~13.3V
- Strongly recommend to conduct this test with DC Voltage. If customer wishes to test with AC Voltage, please disconnect all Y-Capacitors from Digital Power power supply.
- Current Share Board (Optional):
 - The output voltage difference of each parallel single element should be less than 0.2V.
 - Output power at parallel operation = rated power per unit x number of unit x 90%
 - Connect in parallel no more than 2 units. Please contact Digital Power for advice if more than 2 is needed.
 - Minimum Load Should be 15%.
- CAUTION: Double pole, neutral fusing.
Disconnect mains before servicing.

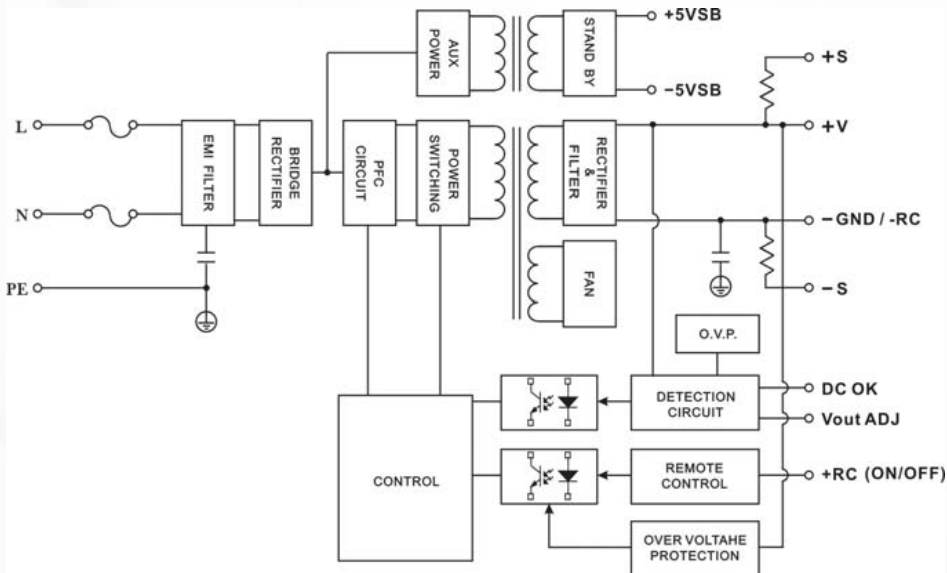


ELECTRICAL SPECIFICATION - HDM500E SERIES

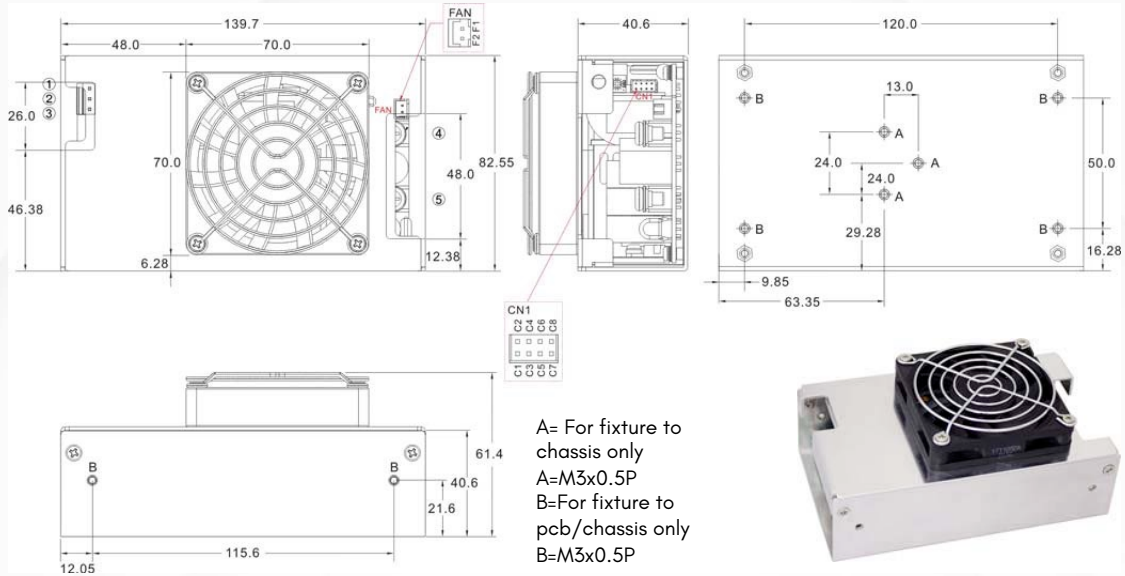
DERATING



BLOCK DIAGRAM



MECHANICAL DIMENSIONS – HDM500E SERIES

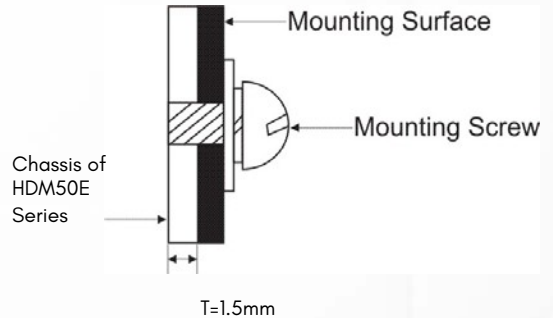


Brands		Alex		JST	
PIN#	Single	Mating Housing	Terminal	Mating Housing	Terminal
A,B	PE	—	—	—	—
1	AC IN (N)	9396-3	96T series	VHR-3N	SVH-41T-P1.1
2	NO PIN				
3	AC IN (L)				
4	+DC OUT	Terminal : M5 Pan HD screw in 2 positions. Torque to 8 lbs-in(90cNm) max			
5	-DC OUT				

ASSEMBLY INSTRUCTIONS

U Case T=1.5mm

Customer is advised to screw into the threads no more than 1.5mm

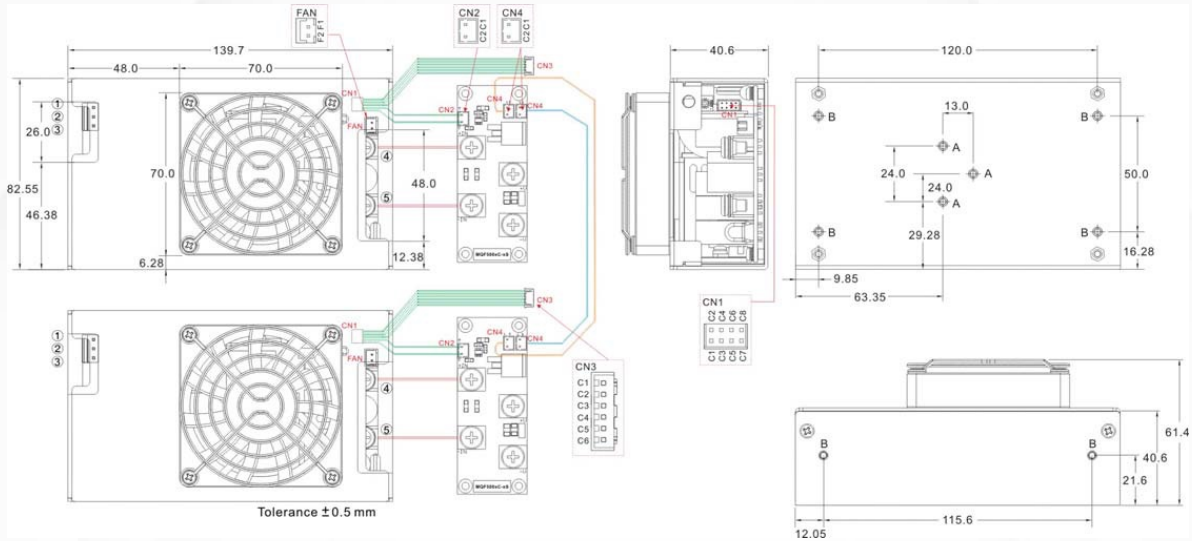


Connector Pin (CN1)					
Brands		Cherng Weei		JST	
PIN#	Single	Mating Housing	Terminal	Mating Housing	Terminal
C1	-5V SB	PHXD-H20-2X4P	PHD-T20	PHDR-08VS	SPHD-001T-P0.5
C2	+5V SB				
C3	GND				
C4	DC-OK				
C5	-RC				
C6	+RC				
C7	-S				
C8	+S				

Connector Pin (FAN)					
Brands		Alex		JST	
PIN#	Single	Mating Housing	Terminal	Mating Housing	Terminal
F1	+12V	CX-H250-02	CX-T2501	XHP-2	SXH-002T-P0.6
F2	GND				

MECHANICAL DIMENSIONS- HDM500E SERIES

HDM500E with Current Share Function

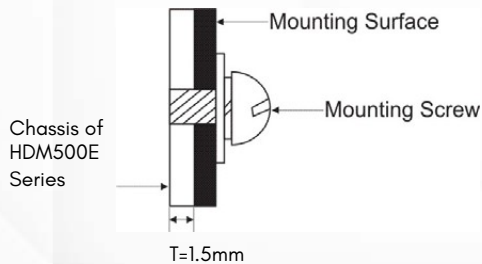


A= For fixture to chassis only
A=M3x0.5P
B=For fixture to pcb/chassis only
B=M3x0.5P

ASSEMBLY INSTRUCTIONS

U Case T=1.5mm

Customer is advised to screw into the threads no more than 1.5mm



Brands		Alex		JST	
PIN#	Single	Mating Housing	Terminal	Mating Housing	Terminal
A,B	PE	—	—	—	—
1	AC IN (N)	9396-3	96T series	VHR-3N	SVH-41T-P1.1
2	NO PIN				
3	AC IN (L)				
4	+DC OUT	Terminal : M5 Pan HD screw in 2 positions. Torque to 8 lbs-in(90cNm) max			
5	-DC OUT				

Connector Pin (FAN)					
Brands		Cherng Weei		JST	
PIN#	Single	Mating Housing	Terminal	Mating Housing	Terminal
F1	+12V	CX-H250-02	CX-T2501	XHP-2	SXH-002T-P0.6
F2	GND				

MECHANICAL DIMENSIONS- HDM500E SERIES

Connector Pin (CN1)					
Brands		Cherng Weei		JST	
PIN#	Single	Mating Housing	Terminal	Mating Housing	Terminal
C1	-5V SB	PHD-H20-2X4P	PHD-T20	PHDR-08VS	SPHD-001T- P0.5
C2	+5V SB				
C3	GND				
C4	DC-OK				
C5	-RC				
C6	+RC				
C7	-S				
C8	+S				

Mating Housing Pin (CN3)			
Brands		Cherng Weei	JST
PIN#	Single	Connector	Connector
C1	-5V SB	CP-W20-06	B6B-PH-K-S
C2	+5V SB		
C3	GND		
C4	DC-OK		
C5	-RC		
C6	+RC		

Connector Pin (CN2)					
Brands		Cherng Weei		JST	
PIN#	Single	Mating Housing	Terminal	Mating Housing	Terminal
C1	-S	CP- H20-02	CP- T20B	PHR-2	SPH-002T- P0.5L
C2	+S				

Connector Pin (CN4)					
Brands		Cherng Weei		JST	
PIN#	Single	Mating Housing	Terminal	Mating Housing	Terminal
C1	LS	CP- H20-02	CP- T20B	PHR-2	SPH-002T- P0.5L
C2	LS				

FUNCTION DESCRIPOTON of CN1 and CN3 (CN3 without C7 and C8 pin)

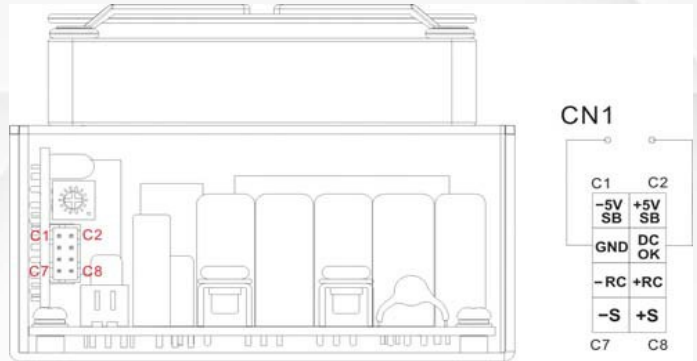
Pin No.	Function	Description
C1	-5VSB	This pin connects to the negative terminal(-V). Return for DC-OK and -RC signal output.
C2	+5VSB	Stand by voltage output ground 4.2~5.5V, referenced to pin C1(-5VSB). The maximum load current is 1A with Fan, 0.4A without Fan..
C3	GND	This pin connects to the negative terminal(-V). Return for DC-OK and -RC signal output.
C4	DC OK	DC-OK Signal is a DC output, referenced to pin C3(DC-OK GND).
C5	-RC	This pin connects to the negative terminal(-V). Return for DC-OK and -RC signal output.
C6	+RC	Turns the output on and off by electrical or dry contact between pin C5 (-RC), Short: Power OFF, Open: Power ON. The input voltage must be less than 1V in order to disable VOUT and greater than 3.3V (up to 5V) to enable it.
C7	-S	Negative sensing. The -S signal should be connected to the negative terminal of the load. The -S and +S leads should be twisted in pair to minimize noise pick-up effect.
C8	+S	Positive sensing. The +S signal should be connected to the positive terminal of the load. The +S and -S leads should be twisted in pair to minimize noise pick-up effect.

MECHANICAL DIMENSIONS – HDM500E SERIES

FUNCTION MANUAL & APPLICATION NOTE

1. DC-OK Signal

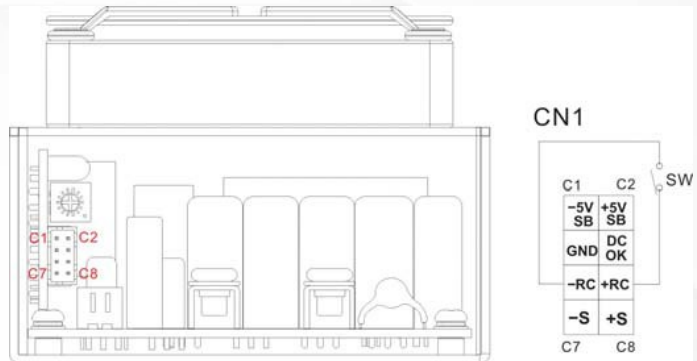
Between DC-OK and GND	Output Status
3.7~6V	ON
0~1V	OFF



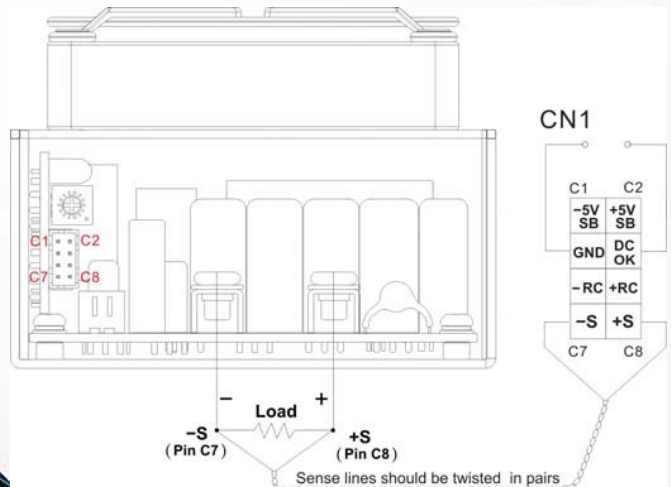
2. Remote Control

It can be turned ON/OFF by using the "Remote Control" function.

Between +RC and -RC	Output Status
SW ON (Short)	OFF
SW OFF (Open)	ON



3. +S and -S Sense Shorter wiring to each unit is recommended, as well as twisting +S and -S in pairs, as shown below



Digital Power Corporation

1635 S Main Street.
Milpitas, CA 95035 USA

T: (877) 634-0982 sales@digipwr.com
F: (510) 657-6634 www.digipwr.com

Digital Power Corporation designs and manufactures full custom, value added and standard comprehensive power solutions for the most demanding applications in the defense, healthcare, telecom, and industrial markets.