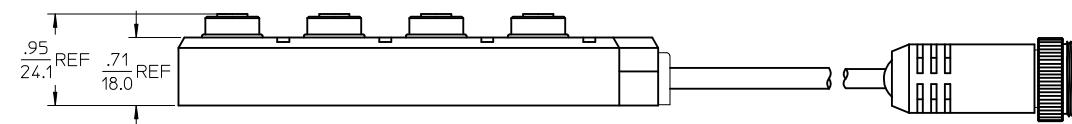
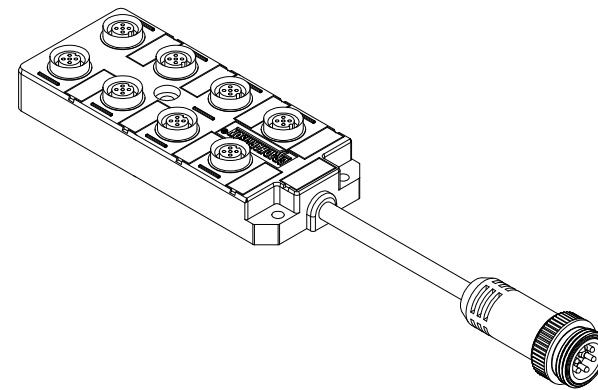
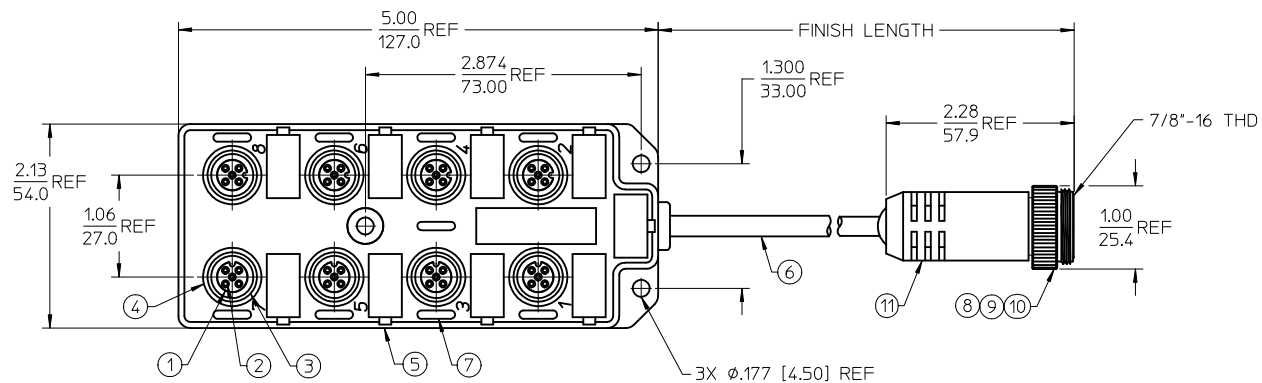
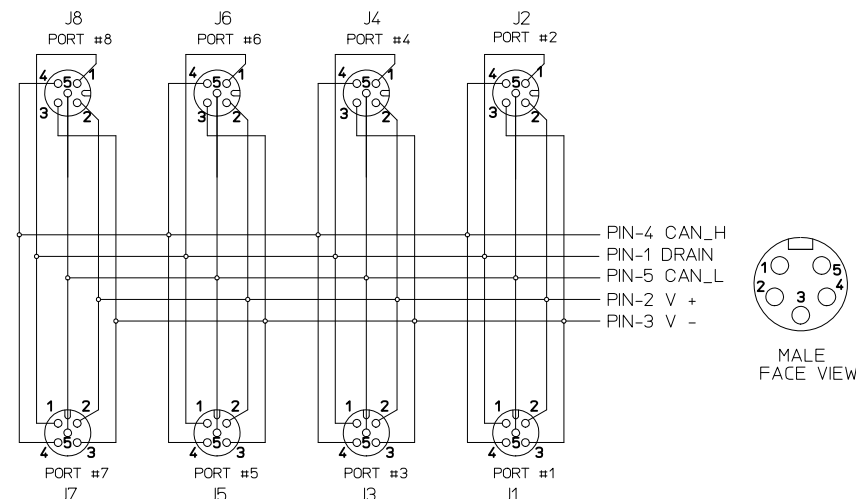


MATERIAL NUMBER	OLD PART NUMBER	FINISHED LENGTH
130037-0009	DND8300-01	3.28' +1.75" -0 [1M +44.5 -0]
130037-0010	DND8300-02	6.56' +3.50" -0 [2M +88.9 -0]



VOLTAGE RATING	10-30 VDC
AMPERAGE RATING PER PORT	4 AMPS
PROTECTION	IP67
OPERATING TEMPERATURE	-20°C TO 90°C



ITEM	COMPONENT	MATERIAL	FINISH
1	INSERT	NYLON	BLACK
2	CONTACT SOCKET	COPPER ALLOY	GOLD OVER NICKEL
3	O-RING	NITRILE	RED
4	RECEPTACLE SHELL	BRASS	NICKEL PLATED
5	HOUSING	PBT	GRAY
6	CABLE- DEVICENET THIN, 300V	PVC	GRAY
7	LENS	NYLON	GRAY
8	INSERT	NYLON	BLACK
9	CONTACT PIN	COPPER ALLOY	GOLD OVER NICKEL
10	COUPLING NUT	ZINC DIE CAST	BLACK E-COATED
11	OVERMOLD	PVC	GRAY

CREATE DOC. EC NO: WNAZ010-0459 DRWNR: RUPERT 2010/01/25 CHKDR: WOODMAN 2010/01/25 APPR: JFMURPHY 2010/01/25	QUALITY SYMBOLS ▽=0 ▽=0	GENERAL TOLERANCES (UNLESS SPECIFIED) <table border="1"> <thead> <tr> <th></th> <th>mm</th> <th>INCH</th> </tr> </thead> <tbody> <tr> <td>4 PLACES</td> <td>± .005</td> <td>± .0004</td> </tr> <tr> <td>3 PLACES</td> <td>± .005</td> <td>± .0004</td> </tr> <tr> <td>2 PLACES</td> <td>± .005</td> <td>± .0004</td> </tr> <tr> <td>1 PLACE</td> <td>± .005</td> <td>± .0004</td> </tr> </tbody> </table>		mm	INCH	4 PLACES	± .005	± .0004	3 PLACES	± .005	± .0004	2 PLACES	± .005	± .0004	1 PLACE	± .005	± .0004	DIMENSION STYLE IN/MM	SCALE 1:10	DESIGN UNITS INCH	THIRD ANGLE PROJECTION
			mm	INCH																	
4 PLACES	± .005	± .0004																			
3 PLACES	± .005	± .0004																			
2 PLACES	± .005	± .0004																			
1 PLACE	± .005	± .0004																			
DRAFT WHERE APPLICABLE MUST REMAIN WITHIN DIMENSIONS	SEE CHART	TOP MOUNT 8 OUTLET TO MC 5P DEVICENET		MOLEX INCORPORATED		DOCUMENT NO. SD-130037-005															
THIS DRAWING CONTAINS INFORMATION THAT IS PROPRIETARY TO MOLEX INCORPORATED AND SHOULD NOT BE USED WITHOUT WRITTEN PERMISSION		SHEET NO. 1 OF 1																			