

## Data sheet | Item number: 788-755

Basic solid-state relay; Nominal input voltage: 24 VDC; Output voltage range: 12 ... 275 VAC; Limiting continuous current: 3 A; Module width: 12 mm; Module height: 15 mm

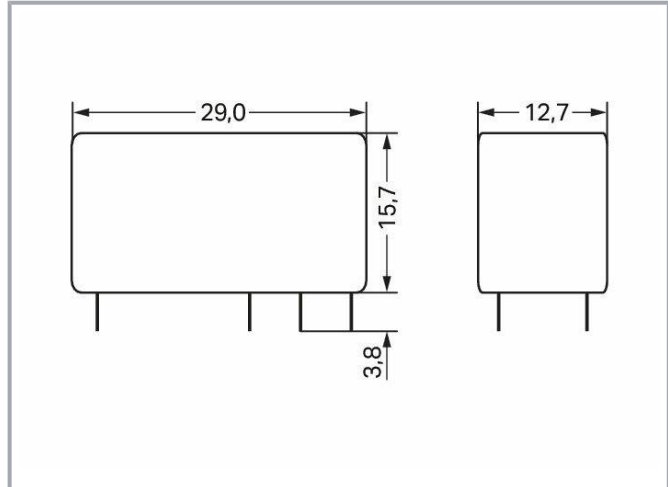


[www.wago.com/788-755](http://www.wago.com/788-755)



 Picture differs from the item.

Similar to picture



## Data

### Notes

Note

Optocouplers and solid state relays are designed for use in signal processing networks, which are not supplied by the low-voltage power supply networks.

## Technical data

### Control Circuit

Nominal input voltage  $U_N$

DC 24 V

Subject to changes. Please also observe the further product documentation!

WAGO GmbH & Co. KG  
Hansastr. 27  
32423 Minden  
Phone: +49571 887-0 | Fax: +49571 887-169  
Email: [info.de@wago.com](mailto:info.de@wago.com) | Web: [www.wago.com](http://www.wago.com)

Do you have any questions about our products?  
We are always happy to take your call at +49 (571) 887-44222.



|                                  |                |
|----------------------------------|----------------|
| Input voltage range (low level)  | DC 0 ... 9 V   |
| Input voltage range (high level) | DC 10 ... 30 V |
| Nominal input current at $U_N$   | 12 mA          |

### Load circuit

|                                 |   |
|---------------------------------|---|
| Circuit type                    | 2-wire connection<br>Zero-voltage switching |
| Limiting continuous current     | 3.5 A                                       |
| Inrush current (resistive) max. | (AC) 120 A                                  |
| Nominal output voltage          | AC 230 V                                    |
| Output voltage range            | AC 12 ... 275 V                             |
| Voltage drop at output (max.)   | $\leq$ AC 1.1 V                             |
| Switching current (min.)        | 50 mA                                       |
| Turn-on time                    | $\leq$ 10 ms                                |
| Turn-off time                   | $\leq$ 10 ms                                |
| Switching frequency             | 50 Hz / 60 Hz                               |

### Signaling

|                  |           |
|------------------|-----------|
| Status indicator | Green LED |
|------------------|-----------|

### Safety and protection

|  |            |
|--|------------|
| Dielectric strength (control/load circuit) (AC, 1 min) | 3.51 kVrms |
|--|------------|

### Physical data

|                         |                        |
|-------------------------|------------------------|
| Width                   | 12.7 mm / 0.5 inches   |
| Height from the surface | 15.7 mm / 0.618 inches |
| Depth                   | 29 mm / 1.142 inches   |

### Mechanical data

|               |                  |
|---------------|------------------|
| Mounting type | Pluggable module |
|---------------|------------------|

### Material Data

|        |     |
|--------|-----|
| Weight | 4 g |
|--------|-----|

Subject to changes. Please also observe the further product documentation!

## Environmental requirements

|  |                 |
|--|-----------------|
| Ambient temperature (operation at U <sub>N</sub> ) | -30 ... +80 °C  |
| Ambient temperature (storage)                      | -40 ... +100 °C |

## Standards and specifications

|                          |  |
|--------------------------|--|
| Standards/specifications | EN 61010-2-201<br>EN 61000-6-2<br>EN 61000-6-3<br>EN 61373 |
|--------------------------|--|

## Commercial data


|                       |               |
|-----------------------|---------------|
| ETIM 8.0              | EC001504      |
| ETIM 7.0              | EC001504      |
| PU (SPU)              | 20 pcs        |
| Packaging type        | Box           |
| Country of origin     | DE            |
| GTIN                  | 4055143919265 |
| Customs tariff number | 85364190890   |

## Environmental Product Compliance

|                        |                         |
|------------------------|-------------------------|
| RoHS Compliance Status | Compliant, No Exemption |
|------------------------|-------------------------|

## Approvals / Certificates

### General approvals

| Logo   | Approval                             | Additional Approval Text | Certificate name |
|--|--------------------------------------|--------------------------|------------------|
|  | UL<br>Underwriters Laboratories Inc. | UL 508                   | E340707          |

## Downloads

### Documentation

#### Bid Text

[xml](#) [Download](#)

Subject to changes. Please also observe the further product documentation!



4.6 kB

docx Download  
14.2 kB

#### Additional Information

|   |                        |               |          |
|---|------------------------|---------------|----------|
| Disposal and Recycling<br>Electrical and electronic equipment, Batteries, Packaging | V 1.1.0<br>2022 Aug 18 | pdf<br>2.2 MB | Download |
|---|------------------------|---------------|----------|

#### CAD/CAE-Data

##### CAD data

|                      |     |          |
|----------------------|-----|----------|
| 2D/3D Models 788-755 | URL | Download |
|----------------------|-----|----------|

#### Environmental Product Compliance

##### Compliance Search

|   |     |          |
|---|-----|----------|
| Environmental Product Compliance 788-755<br>Basic solid-state relay; Nominal input voltage: 24 VDC; Output voltage range: 12 ...<br>275 VAC; Limiting continuous current: 3 A; Module width: 12 mm; Module height: 15<br>mm | URL | Download |
|---|-----|----------|

#### Installation Notes

Subject to changes. Please also observe the further product documentation!