

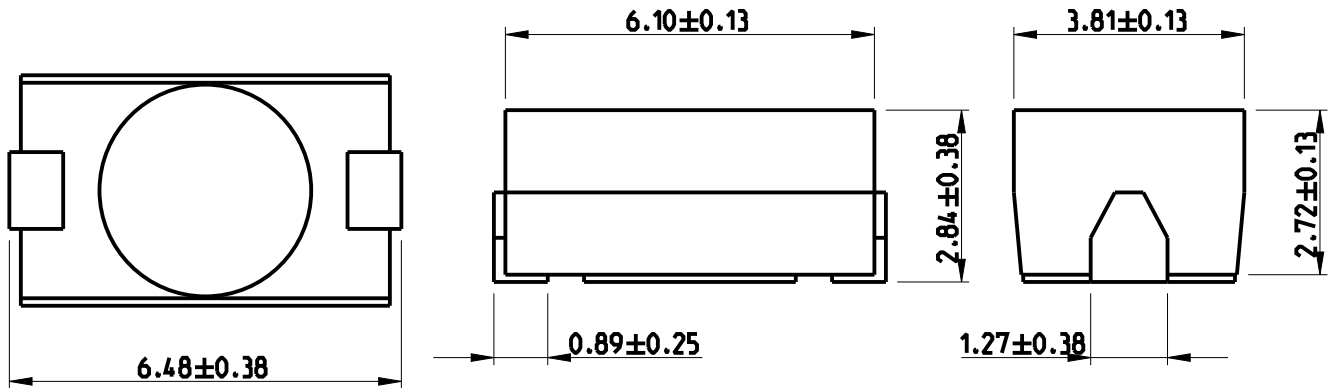
REVISIONS

P	LTR	DESCRIPTION	DATE	DWN	APVD
	BA	NEW RELEASE	10 JULY 2010	PT	SI.P
	BA1	ECR-13-018622	28 NOV 2013	KR	TN
	BB	ECR-14-002163	17 FEB 2014	KR	TN

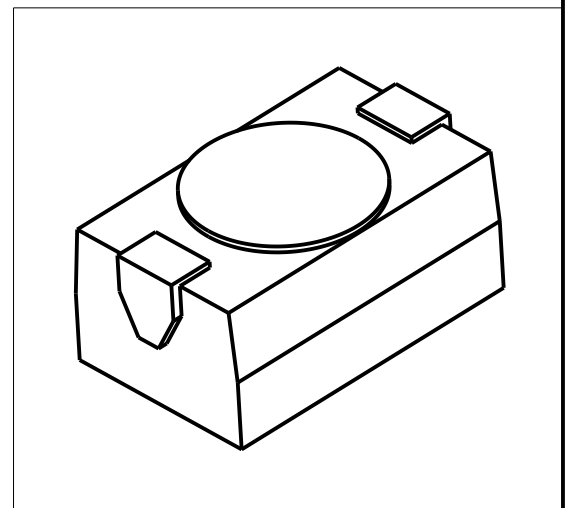
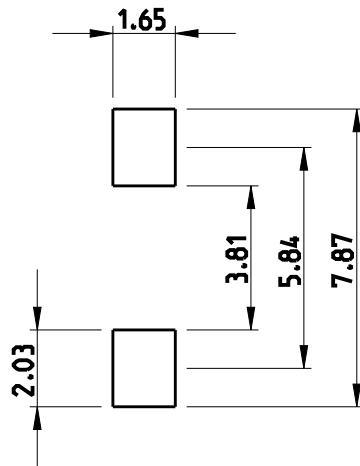
FOR FURTHER INFORMATION SEE DATA SHEET FOR SERIES S - SMD MOULDED POWER RESISTOR

NOTE:

1. Terminal Finish - Hot Dipped Sn. Min 5µM



RECOMMENDED LAND PATTERN



2008

RELEASED FOR PUBLICATION

ALL RIGHTS RESERVED.

BY -

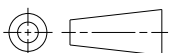
© COPYRIGHT 2008

DIMENSIONS:

mm

TOLERANCES UNLESS OTHERWISE SPECIFIED:

0 PLC	$\pm 0.2$
1 PLC	$\pm 0.1$
2 PLC	$\pm$
3 PLC	$\pm$
4 PLC	$\pm$
ANGLES	$5^\circ$



DWN PARUSURAM.T 10 JULY 2010

MATERIAL - FINISH -

CHK ALLAN.P 10 JULY 2010

APVD STEPHEN.P 10 JULY 2010

PRODUCT SPEC -

APPLICATION SPEC -

WEIGHT -

Customer Drawing

MATERIAL - FINISH -



TE Connectivity

NAME SMD MOULDED POWER RESISTOR SERIES SP1

SIZE A4 CAGE CODE 00779 DRAWING NO C-1624276 RESTRICTED TO -

SCALE 8:1 SHEET 1 OF 1 REV BB