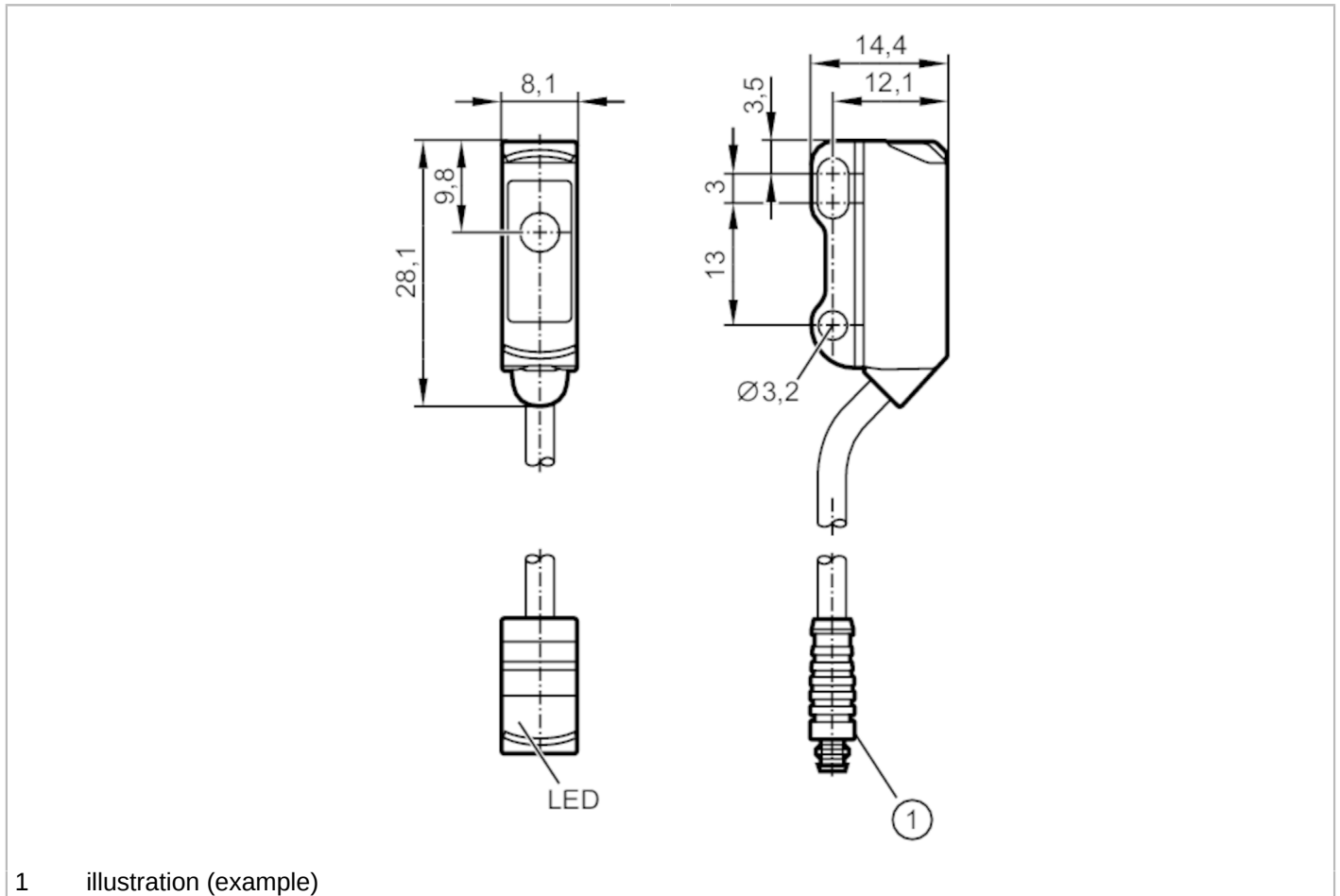




Through-beam sensor transmitter

O8S-OOKG/0,30M/AS/4P



1 illustration (example)



Product characteristics		
Type of light		red light
Housing		rectangular
Dimensions	[mm]	28.1 x 8.1 x 14.4
Application		
Function principle		Through-beam sensor
Electrical data		
Operating voltage	[V]	10...30 DC
Current consumption	[mA]	12; ((24 V))
Protection class		III
Reverse polarity protection		yes
Type of light		red light
Wave length	[nm]	633
Detection zone		
Transmitter / receiver		transmitter
Range	[m]	< 3
Max. light spot diameter	[mm]	200
Light spot dimensions refer to		at maximum range

O8S202



Through-beam sensor transmitter

O8S-OOKG/0,30M/AS/4P

Operating conditions		
Ambient temperature	[°C]	-25...60
Protection		IP 65; IP 67
Tests / approvals		
EMC		EN 60947-5-2
MTTF	[years]	2942
Mechanical data		
Weight	[g]	21
Housing		rectangular
Dimensions	[mm]	28.1 x 8.1 x 14.4
Materials		housing: ABS; stainless steel (1.4404 / 316L)
Lens material		PMMA
Lens alignment		side lens
Displays / operating elements		
Display	switching status	1 x LED, yellow
	operation	1 x LED, green
Remarks		
Pack quantity		1 pcs.

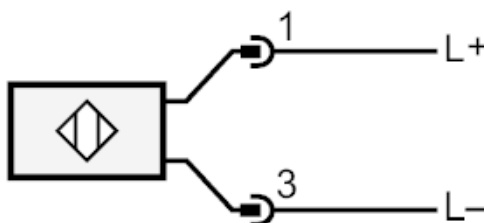
Electrical connection

Cable: 0.3 m, PVC, black, Ø 2.9 mm; 2 x 0.08 mm²

Connector: 1 x M8



Connection



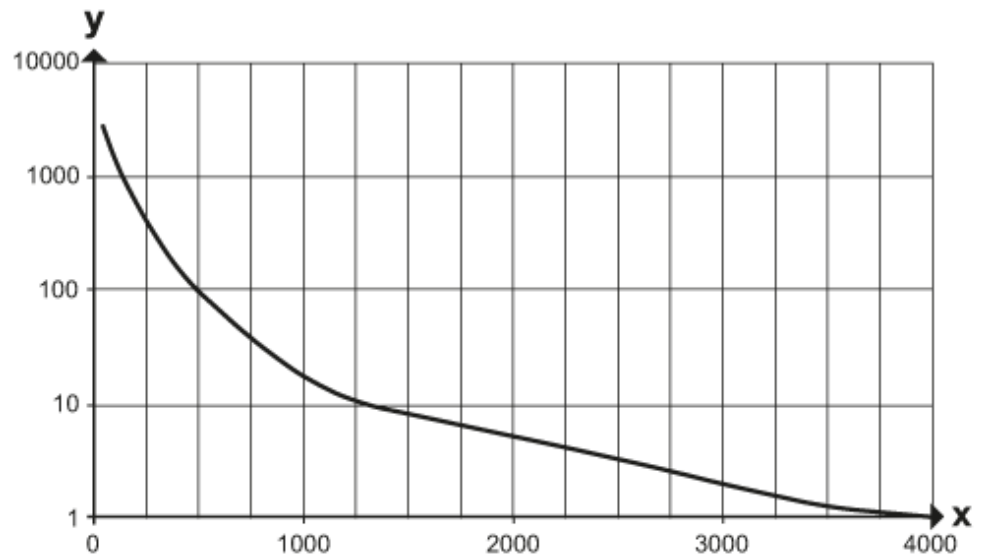


Through-beam sensor transmitter

O8S-OOKG/0,30M/AS/4P

Diagrams and graphs

excess gain graph



x: distance [mm]

y: excess gain factor