

Technical Data Sheet

Mini Top View LED

65-21/GAC-YT1U1G/2T

Features

- White SMT package.
- Optical indicator.
- Wide viewing angle.
- Soldering methods: reflow soldering
- Available on tape and reel
- Pb-free
- The product itself will remain within RoHS compliant version.



Descriptions

- The 65-21 series is available in soft orange, green, blue, and yellow. Due to the package design, the LED has wide viewing angle and optimized light coupling by inter reflector. This feature makes the ideal for light pipe application.

Applications

- Optical indicators.
- Coupling into light guides.
- Backlighting (LCD, cellular phones, switches, keys, displays, illuminated advertising, general lighting).
- Coupling into light guides; Interior automotive lighting (e.g. dashboard backlighting, etc.).

Device Selection Guide

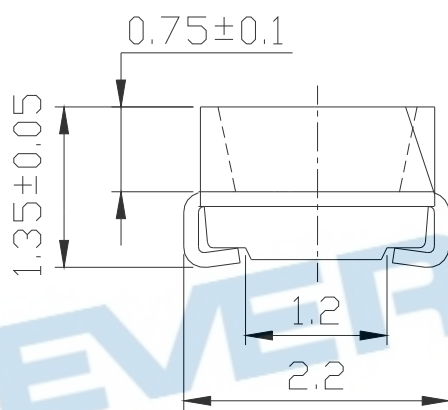
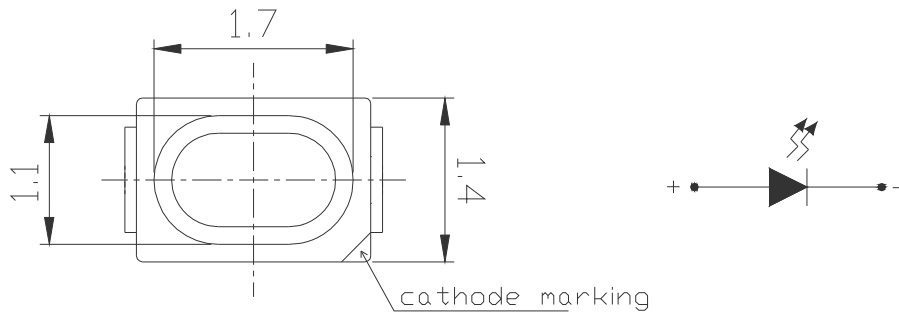
| Chip | Emitted Color | Resin Color |
|----------|-----------------|-------------|
| Material | | |
| AlGaInP | Brilliant Green | Water Clear |

Technical Data Sheet

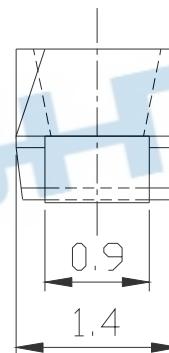
Mini Top View LED

65-21/GAC-YT1U1G/2T

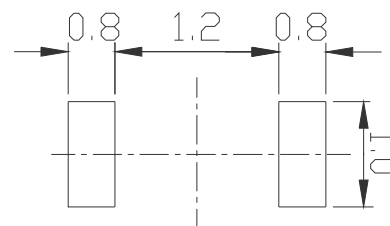
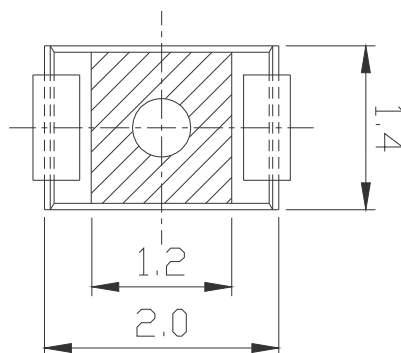
Package Outline Dimensions



Polarity



Recommended soldering pad design



Note: The tolerances unless mentioned is ± 0.1 mm ,Unit = mm

Technical Data Sheet**Mini Top View LED****65-21/GAC-YT1U1G/2T****Absolute Maximum Ratings (Ta=25°C)**

| Parameter | Symbol | Rating | Unit |
|---|-----------|---|------|
| Reverse Voltage | V_R | 5 | V |
| Forward Current | I_F | 25 | mA |
| Peak Forward Current (Duty 1/10 @1KHz) | I_{FP} | 100 | mA |
| Power Dissipation | P_d | 95 | mW |
| Electrostatic Discharge (HBM) | ESD | 150 | V |
| Operating Temperature | T_{opr} | -40 ~ +85 | °C |
| Storage Temperature | T_{stg} | -40 ~ +90 | °C |
| Soldering Temperature | T_{sol} | Reflow Soldering : 260 °C for 10 sec. Hand Soldering : 350 °C for 3 sec. | |

Electro-Optical Characteristics (Ta=25°C)

| Parameter | Symbol | Min. | Typ. | Max. | Unit | Condition |
|------------------------------|-----------------|------|------|------|------|------------|
| Luminous Intensity | I_v | 285 | ---- | 565 | mcd | $I_F=20mA$ |
| Viewing Angle | 2θ1/2 | ---- | 120 | ---- | deg | |
| Peak Wavelength | λ_p | ---- | 518 | ---- | nm | |
| Dominant Wavelength | λ_d | 520 | ---- | 535 | nm | |
| Spectrum Radiation Bandwidth | $\Delta\lambda$ | ---- | 35 | ---- | nm | |
| Forward Voltage | V_F | 2.70 | ---- | 3.70 | V | |
| Reverse Current | I_R | ---- | ---- | 50 | μA | $V_R=5V$ |

Notes:

1. Tolerance of Luminous Intensity: ±11%
2. Tolerance of Dominant Wavelength: ±1nm
3. Tolerance of Forward Voltage: ±0.1V

Technical Data Sheet**Mini Top View LED****65-21/GAC-YT1U1G/2T****Bin Range of Luminous Intensity**

| Bin | Min. | Max. | Unit | Condition |
|-----|------|------|------|----------------------|
| T1 | 285 | 360 | mcd | I _F =20mA |
| T2 | 360 | 450 | | |
| U1 | 450 | 565 | | |

Bin Range of Dominant Wavelength

| Group | Bin Code | Min. | Max. | Unit | Condition |
|-------|----------|------|------|------|----------------------|
| Y | X | 520 | 525 | nm | I _F =20mA |
| | Y | 525 | 530 | | |
| | Z | 530 | 535 | | |

Bin Range of Forward Voltage

| Bin | Min. | Max. | Unit | Condition |
|-----|------|------|------|----------------------|
| 34 | 2.70 | 2.80 | V | I _F =20mA |
| 35 | 2.80 | 2.90 | | |
| 36 | 2.90 | 3.00 | | |
| 37 | 3.00 | 3.10 | | |
| 38 | 3.10 | 3.20 | | |
| 39 | 3.20 | 3.30 | | |
| 40 | 3.30 | 3.40 | | |
| 41 | 3.40 | 3.50 | | |
| 42 | 3.50 | 3.60 | | |
| 43 | 3.60 | 3.70 | | |

Notes:

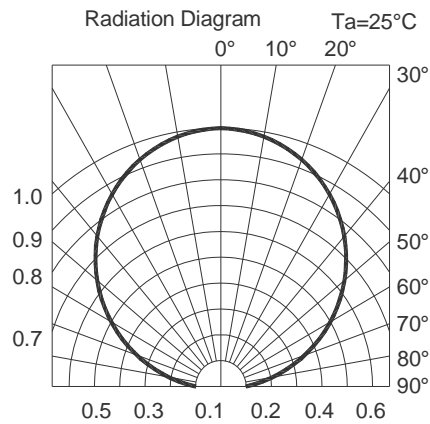
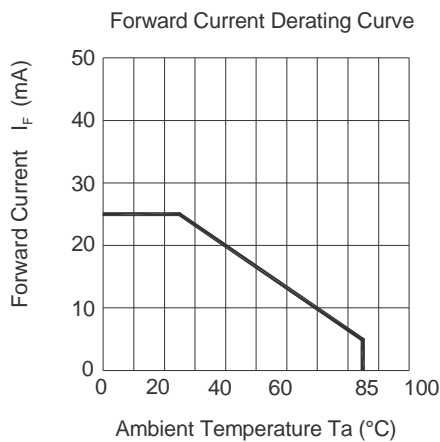
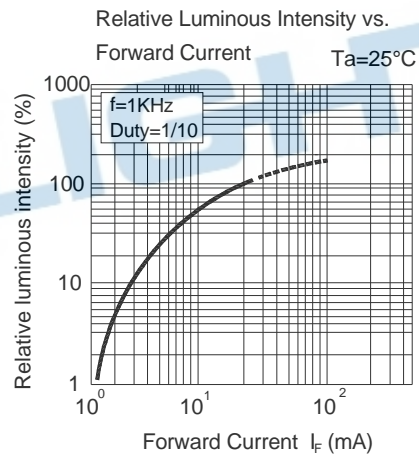
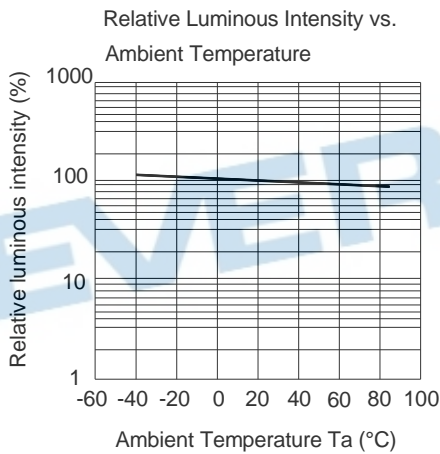
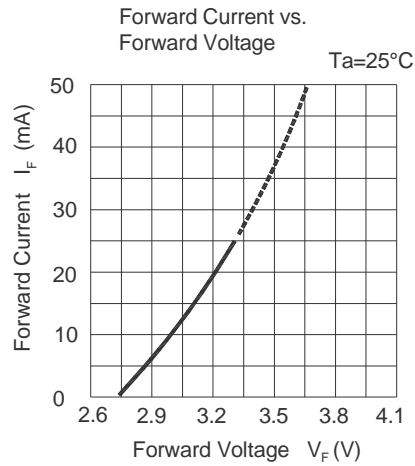
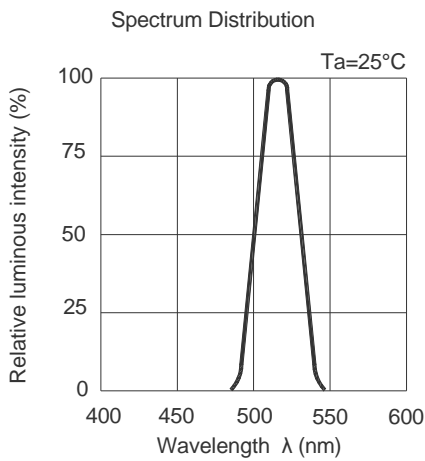
- 1.Tolerance of Luminous Intensity $\pm 11\%$
- 2.Tolerance of Dominant Wavelength $\pm 1\text{nm}$
- 3.Tolerance of Forward Voltage $\pm 0.1\text{V}$

Technical Data Sheet

Mini Top View LED

65-21/GAC-YT1U1G/2T

Typical Electro-Optical Characteristics Curves



Technical Data Sheet

Mini Top View LED

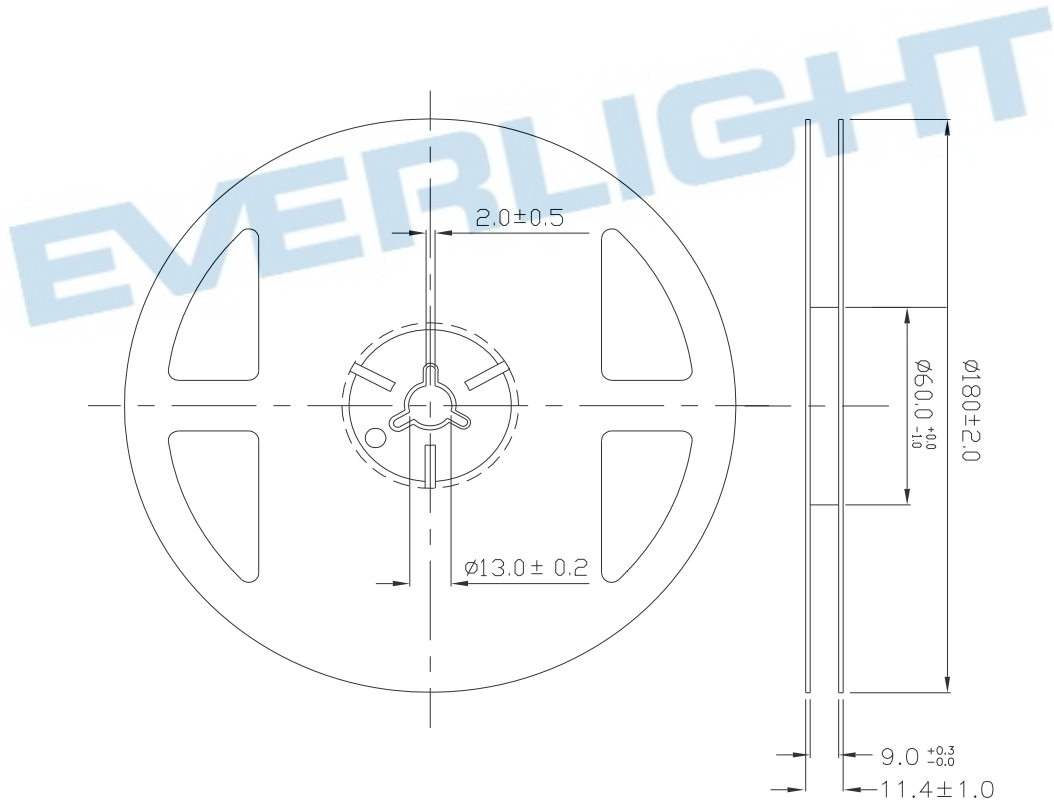
65-21/GAC-YT1U1G/2T

Label Explanation

- CAT: Luminous Intensity Rank
- HUE: Dom. Wavelength Rank
- REF: Forward Voltage Rank



Reel Dimensions



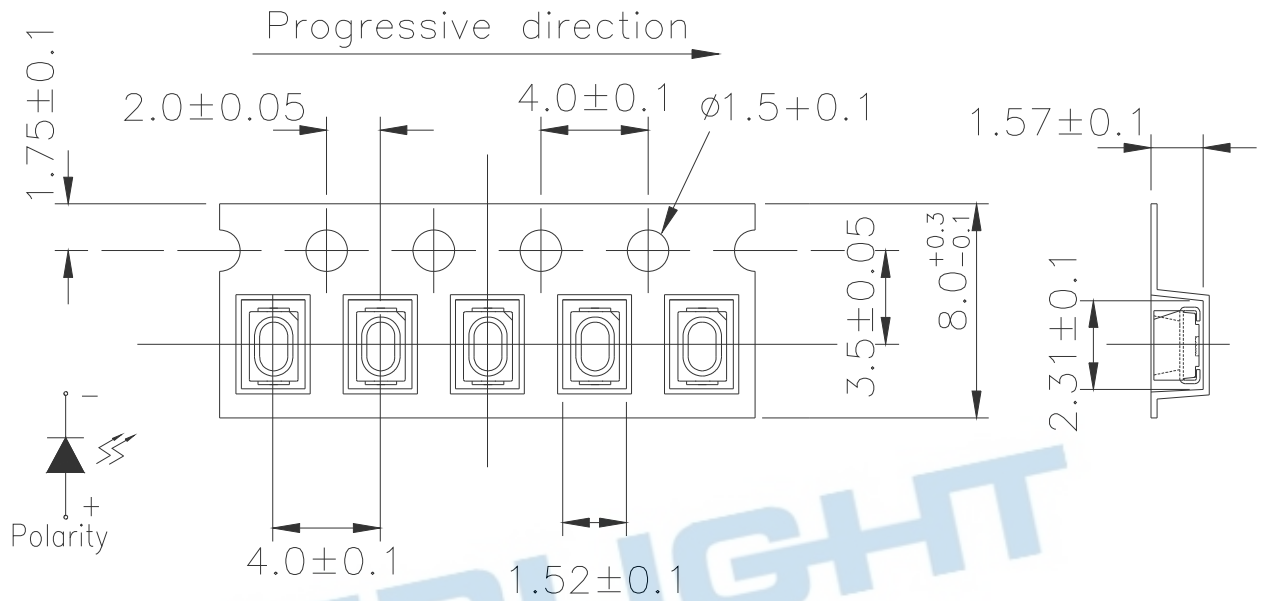
Note: The tolerances unless mentioned is ± 0.1 mm ,Unit = mm

Technical Data Sheet

Mini Top View LED

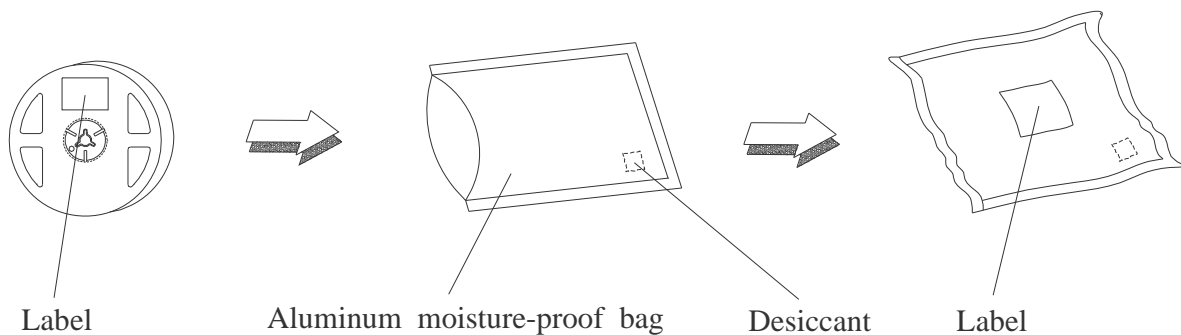
65-21/GAC-YT1U1G/2T

Carrier Tape Dimensions: Loaded Quantity 2000 pcs Per Reel.



Note: The tolerances unless mentioned is ± 0.1 mm, Unit = mm

Moisture Resistant Packaging



Technical Data Sheet**Mini Top View LED****65-21/GAC-YT1U1G/2T****Reliability Test Items and Conditions**

The reliability of products shall be satisfied with items listed below.

Confidence level : 90%

LTPD : 10%

| No. | Items | Test Condition | Test Hours/Cycles | Sample Size | Ac/Re |
|-----|----------------------------------|--|-------------------|-------------|-------|
| 1 | Reflow Soldering | Temp. : 260°C ±5°C Max. 10 sec. | 6 Min. | 22 PCS. | 0/1 |
| 2 | Temperature Cycle | H : +100°C 15min ↓ 5 min L : -40°C 15min | 300 Cycles | 22 PCS. | 0/1 |
| 3 | Thermal Shock | H : +100°C 5min ↓ 10 sec L : -10°C 5min | 300 Cycles | 22 PCS. | 0/1 |
| 4 | High Temperature Storage | Temp. : 100°C | 1000 Hrs. | 22 PCS. | 0/1 |
| 5 | Low Temperature Storage | Temp. : -40°C | 1000 Hrs. | 22 PCS. | 0/1 |
| 6 | DC Operating Life | I _F = 20 mA | 1000 Hrs. | 22 PCS. | 0/1 |
| 7 | High Temperature / High Humidity | 85°C / 85%RH | 1000 Hrs. | 22 PCS. | 0/1 |

Technical Data Sheet

Mini Top View LED

65-21/GAC-YT1U1G/2T

Precautions for Use

1. Over-current-proof

Customer must apply resistors for protection, otherwise slight voltage shift will cause big current change (Burn out will happen).

2. Storage

2.1 Do not open moisture proof bag before the products are ready to use.

2.2 Before opening the package: The LEDs should be kept at 30°C or less and 90%RH or less.

2.3 After opening the package: The LED's floor life is 1 year under 30°C or less and 60% RH or less.

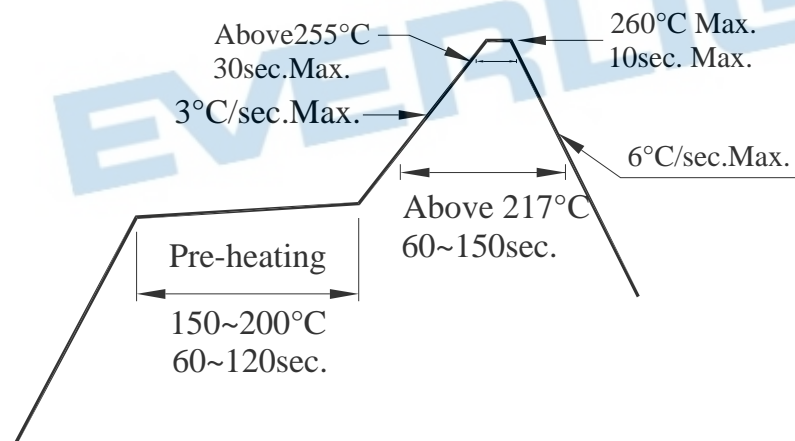
If unused LEDs remain, it should be stored in moisture proof packages.

2.4 If the moisture absorbent material (silica gel) has faded away or the LEDs have exceeded the storage time, baking treatment should be performed using the following conditions.

Baking treatment : 60±5°C for 24 hours.

3. Soldering Condition

3.1 Pb-free solder temperature profile



3.2 Reflow soldering should not be done more than two times.

3.3 When soldering, do not put stress on the LEDs during heating.

3.4 After soldering, do not warp the circuit board.

Technical Data Sheet

Mini Top View LED

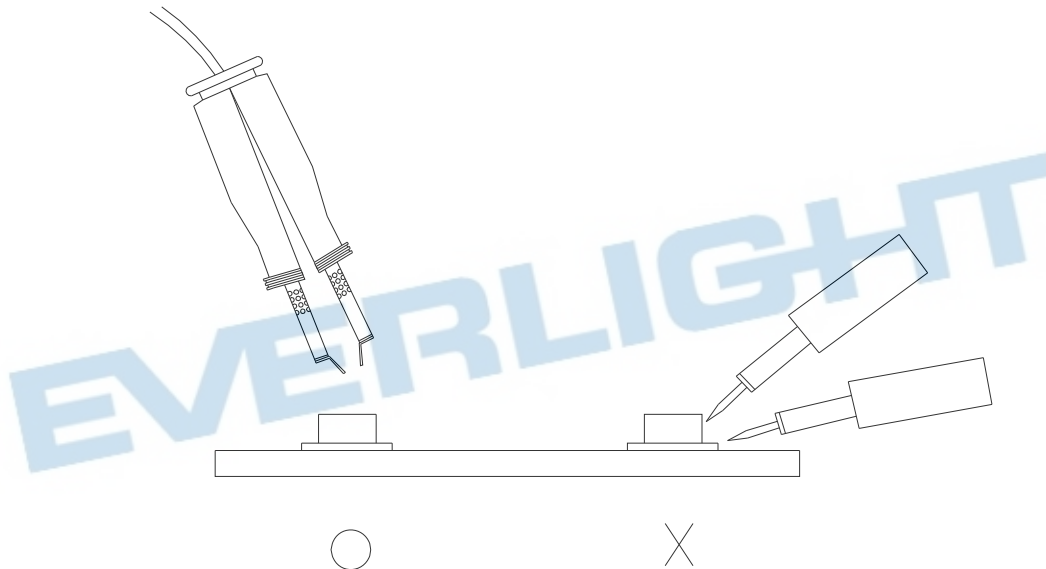
65-21/GAC-YT1U1G/2T

4. Soldering Iron

Each terminal is to go to the tip of soldering iron temperature less than 350°C for 3 seconds within once in less than the soldering iron capacity 25W. Leave two seconds and more intervals, and do soldering of each terminal. Be careful because the damage of the product is often started at the time of the hand solder.

5. Repairing

Repair should not be done after the LEDs have been soldered. When repairing is unavoidable, a double-head soldering iron should be used (as below figure). It should be confirmed beforehand whether the characteristics of the LEDs will or will not be damaged by repairing.



Technical Data Sheet

Mini Top View LED

65-21/GAC-YT1U1G/2T

DISCLAIMER

1. EVERLIGHT reserves the right(s) on the adjustment of product material mix for the specification.
2. The product meets EVERLIGHT published specification for a period of twelve (12) months from date of shipment.
3. The graphs shown in this datasheet are representing typical data only and do not show guaranteed values.
4. When using this product, please observe the absolute maximum ratings and the instructions for using outlined in these specification sheets. EVERLIGHT assumes no responsibility for any damage resulting from the use of the product which does not comply with the absolute maximum ratings and the instructions included in these specification sheets.
5. These specification sheets include materials protected under copyright of EVERLIGHT. Reproduction in any form is prohibited without obtaining EVERLIGHT's prior consent.
6. This product is not intended to be used for military, aircraft, automotive, medical, life sustaining or life saving applications or any other application which can result in human injury or death. Please contact authorized Everlight sales agent for special application request.

EVERLIGHT ELECTRONICS CO., LTD.
Office: No 25, Lane 76, Sec 3, Chung Yang Rd,
Tucheng, Taipei 236, Taiwan, R.O.C

Tel: 886-2-2267-2000, 2267-9936
Fax: 886-2267-6244, 2267-6189, 2267-6306
<http://www.everlight.com>