

Solid-state contactor - ELR 1-230AC/600AC-30 - 2297167

Please be informed that the data shown in this PDF Document is generated from our Online Catalog. Please find the complete data in the user's documentation. Our General Terms of Use for Downloads are valid (<http://phoenixcontact.com/download>)




Single-phase solid-state contactor, input voltage: 230 V AC, output current: 30 A, zero voltage switch

Your advantages

- ✓ High switching frequency
- ✓ Wear and bounce-free
- ✓ 24 V DC and 230 V AC input voltage versions



Key Commercial Data

| | |
|--------------|---|
| Packing unit | 1 pc |
| GTIN |  4 046356 131995 |
| GTIN | 4046356131995 |

Technical data

Dimensions

| | |
|--------|---------|
| Width | 22.5 mm |
| Height | 103 mm |
| Depth | 103 mm |

Ambient conditions

| | |
|---|------------------|
| Ambient temperature (operation) | -30 °C ... 70 °C |
| Ambient temperature (storage/transport) | -40 °C ... 80 °C |

Input data

| | |
|-------------------------------|----------------------------|
| Input name | Control input |
| Rated actuating voltage U_c | 230 V AC |
| Triggering voltage range | 24 V AC ... 275 V AC |
| Rated actuating current I_c | approx. 17 mA |
| Switching threshold | ≤ 6 V AC ("0" signal) |

Solid-state contactor - ELR 1-230AC/600AC-30 - 2297167

Technical data

Input data

| | |
|---------------------------|------------------------|
| | ≥ 22 V AC ("1" signal) |
| Transmission frequency | 6 Hz |
| Operating voltage display | Green LED |

Output data load output

| | |
|-----------------------------------|-----------------------------------|
| Output name | Load output |
| Operating voltage range | 42 V AC ... 660 V AC |
| Load current range | 150 mA ... 30 A (see to derating) |
| Rated operating current at AC-51 | 30 A |
| Rated operating current at AC-53a | 15 A |
| Leakage current | < 3 mA (In off state) |
| Residual voltage | < 1.6 V |
| Surge current | 400 A (t = 10 ms) |
| Type of protection | RCV circuit |

General

| | |
|---------------------------|---------------------------------------|
| Test voltage input/output | 4 kV _{rms} |
| Mounting position | Vertical (horizontal DIN rail) |
| Assembly instructions | Can be aligned with ≥ 22.5 mm spacing |

Connection data

| | |
|----------------------------------|---|
| Connection name | Control circuits |
| Connection method | Screw connection |
| Stripping length | 8 mm |
| Screw thread | M4 |
| Conductor cross section solid | 0.5 mm ² ... 2.5 mm ² |
| Conductor cross section flexible | 0.5 mm ² ... 2.5 mm ² |
| Conductor cross section AWG | 20 ... 14 |

Connection data 2

| | |
|----------------------------------|---|
| Connection name | Load circuit |
| Connection method | Screw connection |
| Stripping length | 8 mm |
| Screw thread | M4 |
| Conductor cross section solid | 0.5 mm ² ... 4 mm ² |
| Conductor cross section flexible | 0.5 mm ² ... 4 mm ² |
| Conductor cross section AWG | 20 ... 12 |

Standards and Regulations

| | |
|----------------------------------|-----------------------|
| Connection in acc. with standard | CUL |
| Designation | Standards/regulations |
| Standards/regulations | EN 61000-4-2 |
| | EN 61000-4-3 |

Solid-state contactor - ELR 1-230AC/600AC-30 - 2297167

Technical data

Standards and Regulations

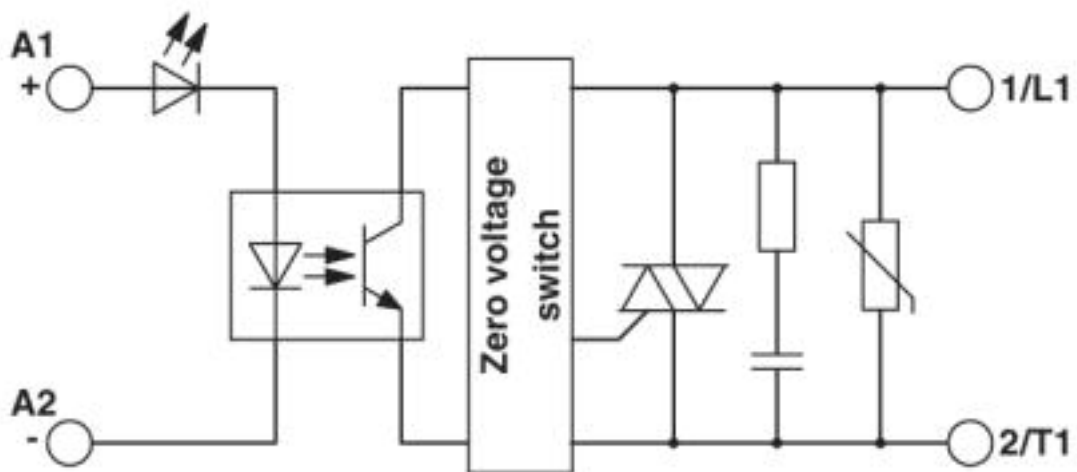
| | |
|--|--------------|
| | EN 61000-4-4 |
| | EN 61000-4-5 |
| | EN 61000-4-6 |
| | EN 55011 |

Environmental Product Compliance

| | |
|------------|---|
| REACH SVHC | Lead 7439-92-1 |
| China RoHS | Environmentally Friendly Use Period = 50 |
| | For details about hazardous substances go to tab "Downloads", Category "Manufacturer's declaration" |

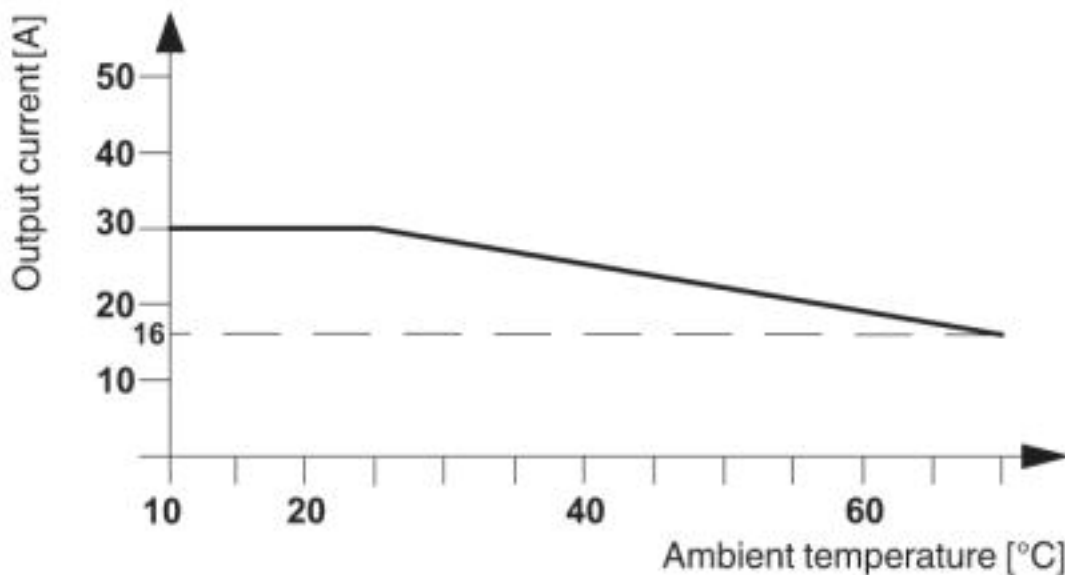
Drawings

Block diagram



Solid-state contactor - ELR 1-230AC/600AC-30 - 2297167

Diagram



Approvals

Approvals

Approvals

UL Recognized / cUL Recognized / EAC / cULus Recognized

Ex Approvals

Approval details

| | | | |
|---------------|--|---|---------------|
| UL Recognized | | http://database.ul.com/cgi-bin/XYV/template/LISEXT/1FRAME/index.htm | FILE E 195083 |
|---------------|--|---|---------------|

| | | | |
|----------------|--|---|---------------|
| cUL Recognized | | http://database.ul.com/cgi-bin/XYV/template/LISEXT/1FRAME/index.htm | FILE E 195083 |
|----------------|--|---|---------------|

| | | |
|-----|--|----------------------|
| EAC | | RU C-DE.A*30.B.01082 |
|-----|--|----------------------|

Solid-state contactor - ELR 1-230AC/600AC-30 - 2297167

Approvals

cULus Recognized



Phoenix Contact 2019 © - all rights reserved
<http://www.phoenixcontact.com>

PHOENIX CONTACT GmbH & Co. KG
Flachsmarktstr. 8
32825 Blomberg
Germany
Tel. +49 5235 300
Fax +49 5235 3 41200
<http://www.phoenixcontact.com>