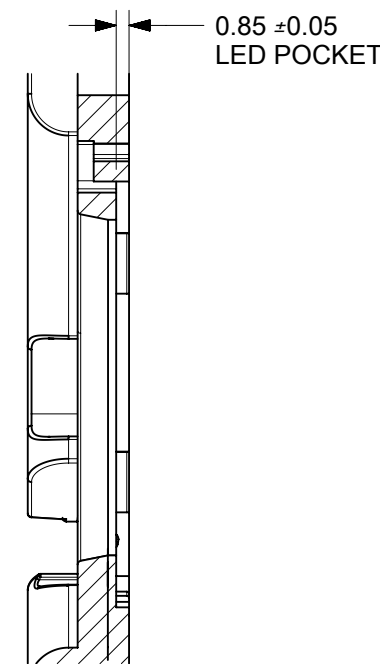
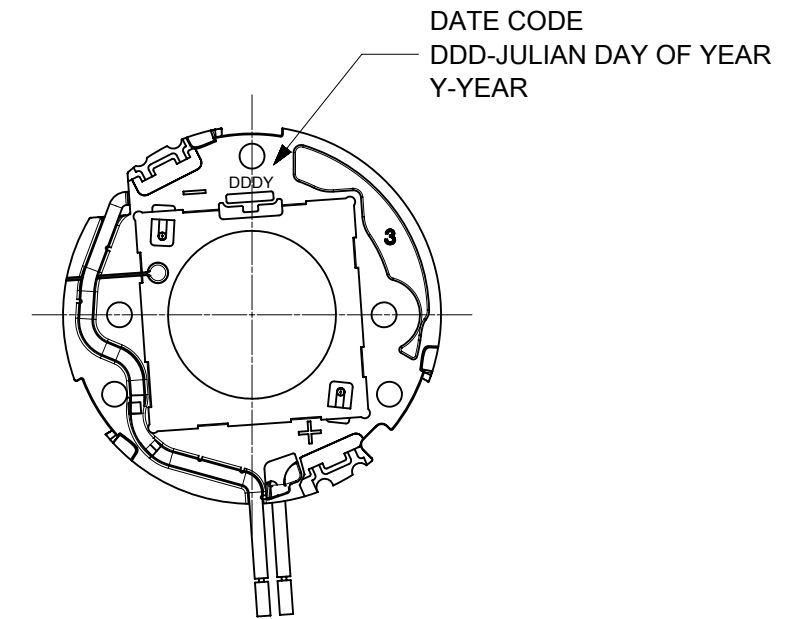
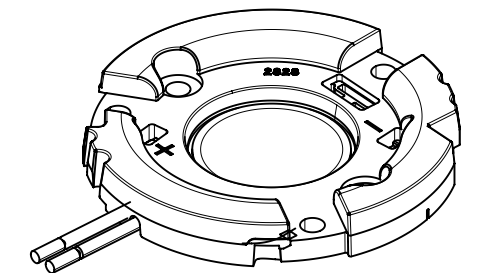


SECTION X-X



DETAIL B
SCALE 2:1



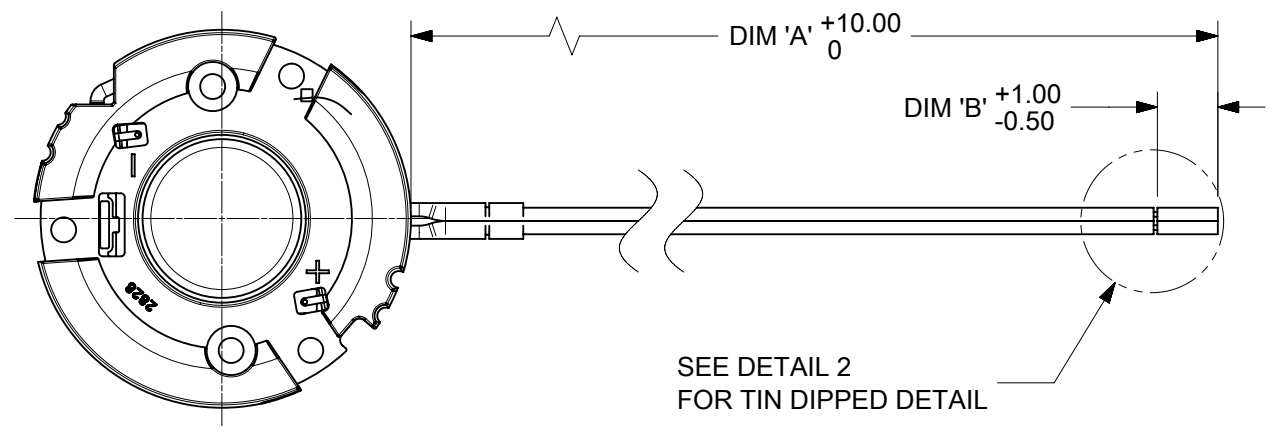
ISO VIEW
SCALE 1:1

NOTES:

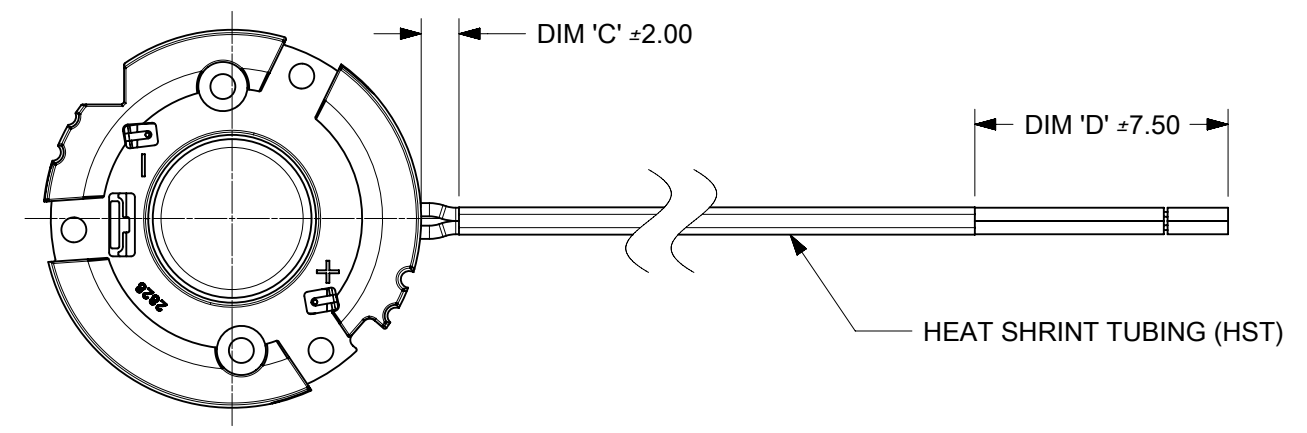
1. MATERIALS: HOUSING: POLYESTER (PBT), GLASS FILLED, UL94 V-0, COLOR: WHITE; TERMINALS: COPPER ALLOY. OPTIONAL: HEAT SHRINK TUBING
2. PLATING: TERMINAL CONTACT : SELECT GOLD (Au) OVER NICKEL (Ni).
3. WIRE SPECIFICATION: UL 3266, 125C, 300V, 20AWG
4. PRODUCT SPECIFICATION: PS-180555-002
5. PACKAGING SPECIFICATION: PK-180559-013 AND PK-180559-014.
6. APPLICATION SPECIFICATION: AS-180555-200.
7. DESIGNED TO BE USED WITH LUMILEDS COB 1211.
8. MOUNT HOLDER UTILIZING M3 SCREWS, TORQUE: 0.4 MINIMUM NEWTON METERS, 0.8 NEWTON METERS MAX.
9. UL 8754 RECOGNITION PENDING. FILE NUMBER: TBD
10. THIS PRODUCT IS ELV AND ROHS COMPLIANT
11. ALL DIMENSIONS IN PARENTHESIS (XX.XX) ARE FOR REFERENCE ONLY.

THIS DRAWING CONTAINS INFORMATION THAT IS PROPRIETARY TO MOLEX ELECTRONIC TECHNOLOGIES, LLC AND SHOULD NOT BE USED WITHOUT WRITTEN PERMISSION									
SYMBOLS	DIMENSION UNITS		SCALE		CURRENT REV DESC:				
		mm		1:1		EC NO: 618360 DRWN: AKUMAR19 2019/04/24 CHK'D: YXZHENG 2019/10/31 APPR: YXZHENG 2019/10/31			
	GENERAL TOLERANCES (UNLESS SPECIFIED)								
	4 PLACES	±			INITIAL REVISION: DRWN: MDEVITO001 2015/02/25 APPR: GMEYER 2015/04/15				
	3 PLACES	±							
	2 PLACES	±	0.13	±					
	1 PLACE	±	0.25	±	DOCUMENT NUMBER: SD-180555-151 DOC TYPE: PSD DOC PART: 000 REVISION: B				
	0 PLACES	±							
	ANGULAR TOL ± 0.5°				MATERIAL NUMBER: SEE TABLE CUSTOMER: GENERAL MARKET SHEET NUMBER: 1 OF 3				
	DRAFT WHERE APPLICABLE MUST REMAIN WITHIN DIMENSIONS								
	THIRD ANGLE PROJECTION		DRAWING		SERIES		MATERIAL NUMBER		
	B-SIZE		180555		SEE TABLE			GENERAL MARKET	

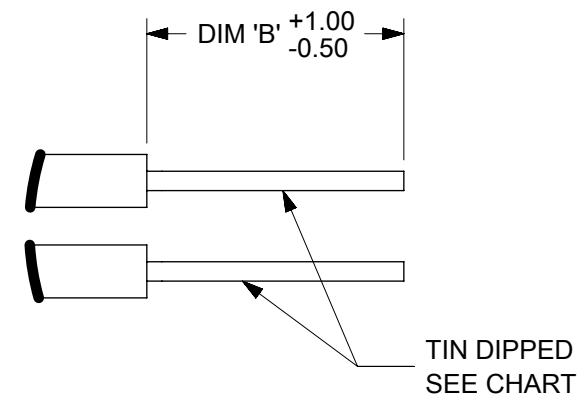
MOLEX PART NUMBER	DESCRIPTION	WIRE LENGTH	WIRE TYPE	FINISH	HEAT SHRINK TUBING	DIM. 'A'	DIM. 'B'	DIM. 'C'	DIM. 'D'
180555-1051	COB HOLDER W/O TUBING	600	STRANDED	TIN DIPPED	NO	600	8.5	X	X
180555-1058	COB HOLDER WITH HST	600	STRANDED	TIN DIPPED	YES (WHT)	600	8.5	5	22.5



COB HOLDER WITHOUT HEAT SHRINK TUBING



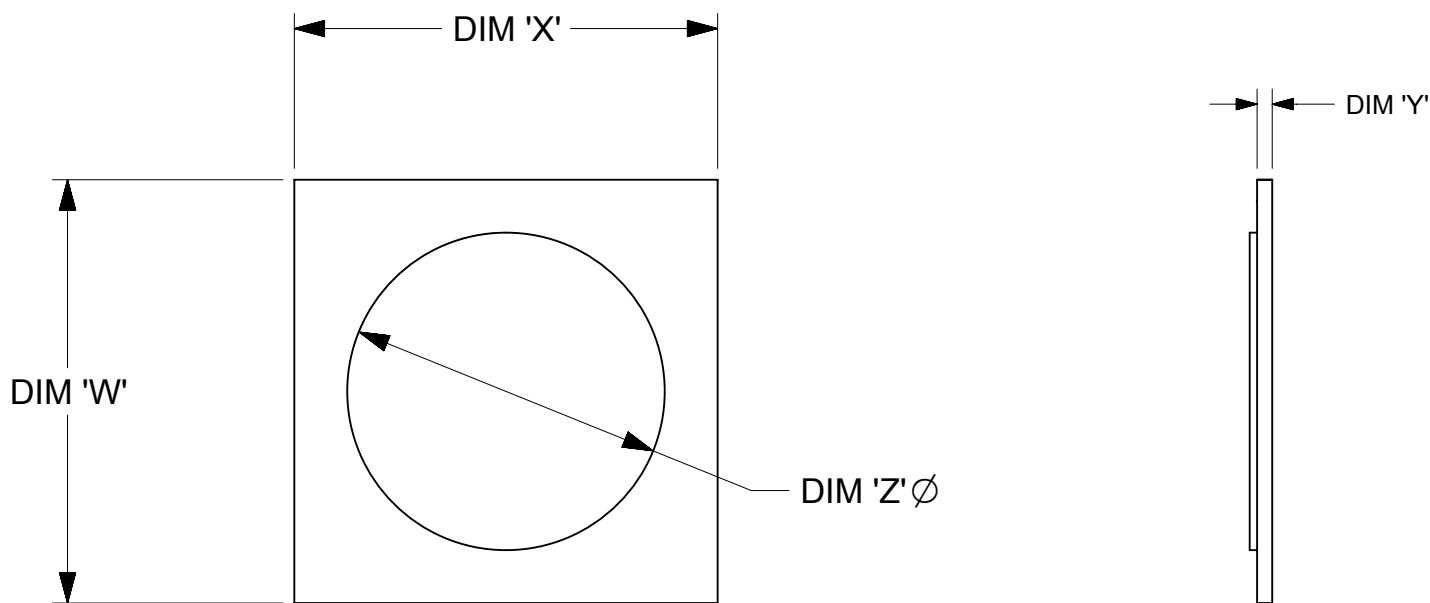
COB HOLDER WITH HEAT SHRINK TUBING



DETAIL 2
SCALE 4:1

SYMBOLS DIMENSION UNITS: mm SCALE: 1:1 GENERAL TOLERANCES (UNLESS SPECIFIED): 4 PLACES ± 3 PLACES ± 2 PLACES ± 0.13 ± 1 PLACE ± 0.25 ± 0 PLACES ± ANGULAR TOL ± 0.5° DRAFT WHERE APPLICABLE MUST REMAIN WITHIN DIMENSIONS THIRD ANGLE PROJECTION DRAWING SERIES: B-SIZE MATERIAL NUMBER: SEE TABLE CUSTOMER: GENERAL MARKET SHEET NUMBER: 2 OF 3	THIS DRAWING CONTAINS INFORMATION THAT IS PROPRIETARY TO MOLEX ELECTRONIC TECHNOLOGIES, LLC AND SHOULD NOT BE USED WITHOUT WRITTEN PERMISSION		CURRENT REV DESC: EC NO: 618360 DRWN: AKUMAR19 2019/04/24 CHK'D: YXZHENG 2019/10/31 APPR: YXZHENG 2019/10/31 INITIAL REVISION: DRWN: MDEVITO001 2015/02/25 APPR: GMEYER 2015/04/15		molex SLIMRAY COB HOLDER 28MM X 28MM ASSEMBLY PRODUCT CUSTOMER DRAWING	
	DOCUMENT NUMBER	DOC TYPE	DOC PART	REVISION		
	SD-180555-151	PSD	000	B		
	SEE TABLE	GENERAL MARKET				

COB MFG	TYPE	DIM 'W'	DIM 'X'	DIM 'Y'	DIM 'Z'
LUMILEDS	LUXEON 1211	28.0	28.0	1.0	21.0



COB LED

SYMBOLS ▽ = 0 ▽ = 0 ▽ = 0 ▽ = 0 ▽ = 0 ▽ = 0 ▽ = 0 ▽ = 0 ▽ = 0 ▽ = 0	THIS DRAWING CONTAINS INFORMATION THAT IS PROPRIETARY TO MOLEX ELECTRONIC TECHNOLOGIES, LLC AND SHOULD NOT BE USED WITHOUT WRITTEN PERMISSION		CURRENT REV DESC:																							
	DIMENSION UNITS: mm SCALE: 1:1		EC NO: 618360 DRWN: AKUMAR19 2019/04/24 CHK'D: YXZHENG 2019/10/31 APPR: YXZHENG 2019/10/31						SLIMRAY COB HOLDER 28MM X 28MM ASSEMBLY																	
	GENERAL TOLERANCES (UNLESS SPECIFIED)		INITIAL REVISION: DRWN: MDEVITO001 2015/02/25 APPR: GMEYER 2015/04/15			PRODUCT CUSTOMER DRAWING																				
	<table border="1"> <tr> <th></th> <th>MM</th> <th>INCH</th> </tr> <tr> <td>4 PLACES ±</td> <td></td> <td></td> </tr> <tr> <td>3 PLACES ±</td> <td></td> <td></td> </tr> <tr> <td>2 PLACES ±</td> <td>0.13</td> <td></td> </tr> <tr> <td>1 PLACE ±</td> <td>0.25</td> <td></td> </tr> <tr> <td>0 PLACES ±</td> <td></td> <td></td> </tr> </table>			MM	INCH	4 PLACES ±			3 PLACES ±			2 PLACES ±	0.13		1 PLACE ±	0.25		0 PLACES ±			ANGLULAR TOL ± 0.5°			DOCUMENT NUMBER: SD-180555-151 DOC TYPE: PSD DOC PART: 000 REVISION: B		
		MM	INCH																							
	4 PLACES ±																									
	3 PLACES ±																									
	2 PLACES ±	0.13																								
	1 PLACE ±	0.25																								
	0 PLACES ±																									
DRAFT WHERE APPLICABLE MUST REMAIN WITHIN DIMENSIONS		THIRD ANGLE PROJECTION		DRAWING: B-SIZE	SERIES: 180555	MATERIAL NUMBER: SEE TABLE	CUSTOMER: GENERAL MARKET	SHEET NUMBER: 3 OF 3																		