

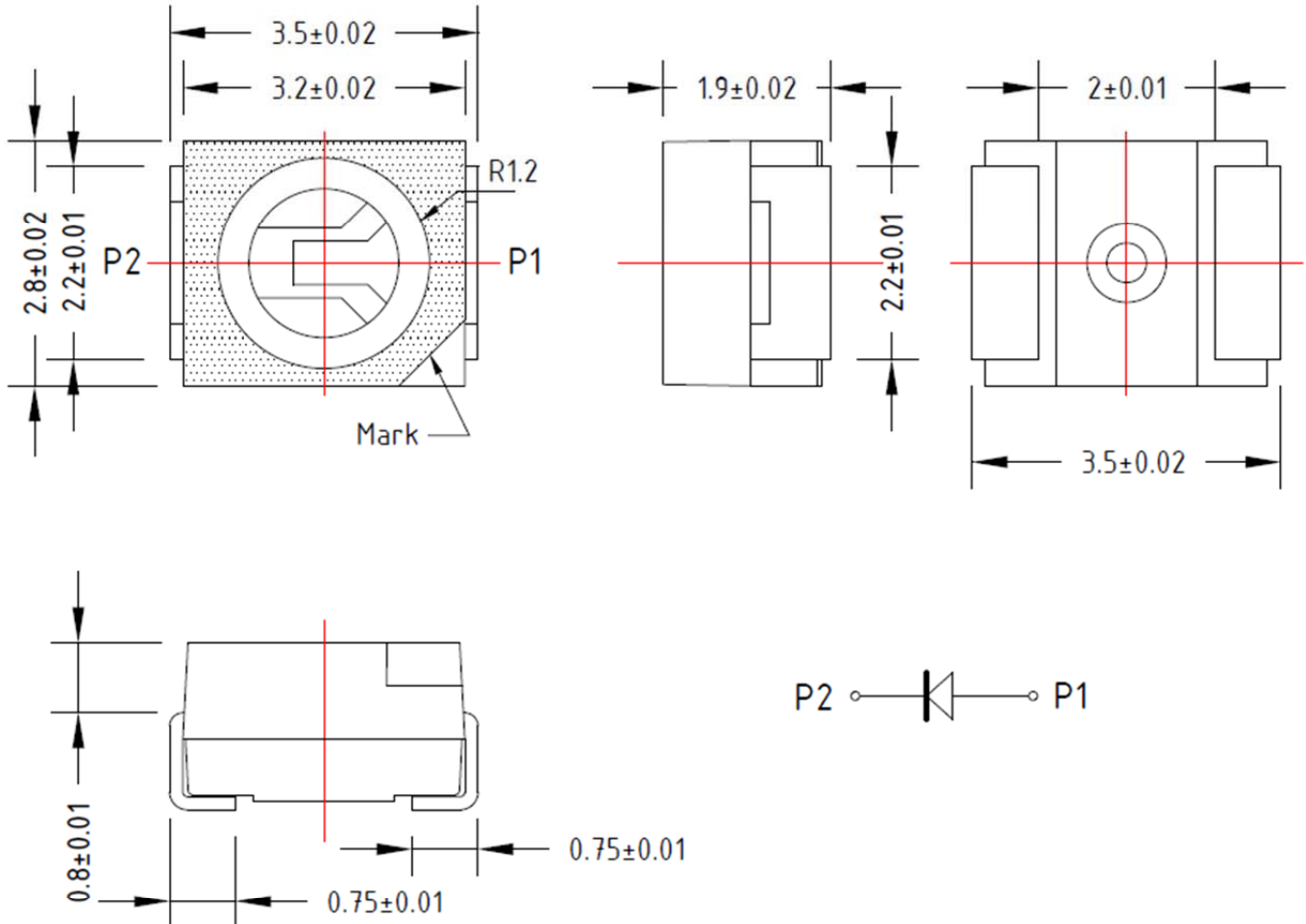


American Opto Plus LED Corp.
L95MYC-S
3.5 X 2.8 X 1.9mm PLCC2

MAIN FEATURES:

- Low current requirement
- Wide viewing angle
- IR Reflow Soldering
- I.C. compatible

PACKAGE OUTLINES:



Chip Material	Chip Emitted	Lens Color	Viewing Angle
AllnGaP/GaAs	Yellow	Clear	120

NOTES:

1. All dimensions are in millimeters (inches);
2. Electrical Connection between all Cathodes is Recommended



American Opto Plus LED Corp.
L955MYC-S
3.5 X 2.8 X 1.9mm PLCC2

MAIN FEATURES:

- Low current requirement
- Wide viewing angle
- IR Reflow Soldering
- I.C. compatible

ABSOLUTE MAXIMUM RATINGS

Parameter	Symbol	Value	Unit
Forward current	I _f	50	mA
Reverse voltage	V _r	5	V
Power dissipation	P _d	120	mW
Operating temperature range	T _{op}	-30~+100	°C
Storage temperature range	T _{stg}	-40~+100	°C
Peak pulsing current (1/8 duty f= 1kHz)	I _{fp}	100	mA

OPTICAL-ELECTRICAL CHARACTERISTICS

Parameter	Symbol	Test Condition	Min	Typ	Max	Unit
Wavelength at peak emission	λ peak	I _F = 20mA	--	593	--	nm
Spectral half bandwidth	$\Delta\lambda$	I _F = 20mA	--	14	--	nm
Dominant wavelength	λ dom	I _F = 20mA	585	590	595	nm
Forward Voltage	V _f	I _F = 20mA	--	2.1	2.4	V
Luminous intensity	I _v	I _F = 20mA	400	680	1150	mcd
Reverse current	I _r	V _r =5V	--	--	50	μ A



American Opto Plus LED Corp.
L955MYC-S
3.5 X 2.8 X 1.9mm PLCC2

MAIN FEATURES:

- Low current requirement
- Wide viewing angle
- IR Reflow Soldering
- I.C. compatible

Luminous Intensity Bin Table

IF=20mA

Rank name	Min (mcd)	Max (mcd)
L	400	520
M	520	680
N	680	880
P	880	1150

※ Tolerance for each bin limit is $\pm 15\%$

Color Bin Table

IF=20mA

Rank name	Min (nm)	Max (nm)
1	585	587.5
2	587.5	590
3	590	592.5
4	592.5	595

※ Tolerance for each bin limit is $\pm 1\text{nm}$

Notes:

1. One delivery will include several color ranks and Iv ranks of products.
The quantity-ratio of the different rank is decided by AOP.
2. Bin Name typed on the label: IV Rank + Color Rank.
For Example, Bin L2 Means IV: 400~520mcd and Color: 587.5~590nm.
3. AOP has the right to update the information without notice.
Please double confirm the spec details before an order.



American Opto Plus LED Corp.

L955MYC-S

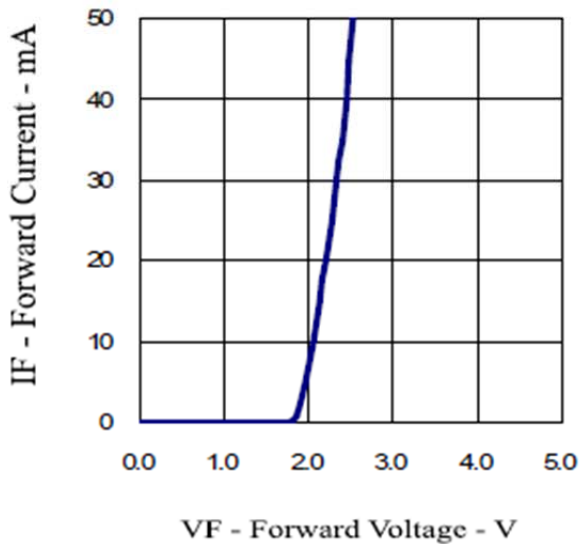
3.5 X 2.8 X 1.9mm PLCC2

MAIN FEATURES:

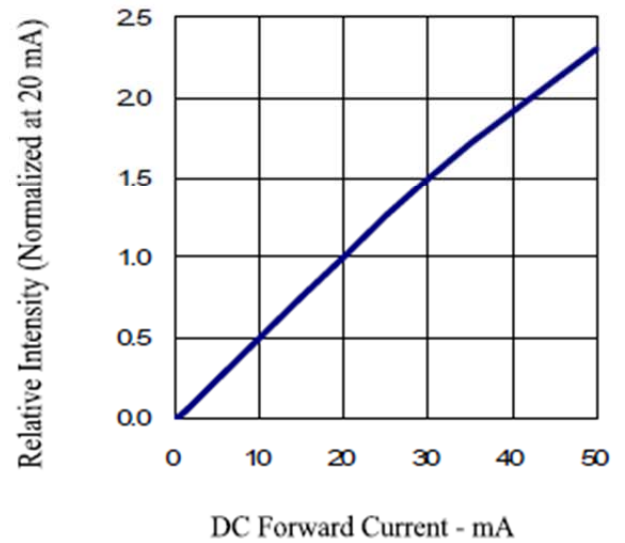
- Low current requirement
- Wide viewing angle
- IR Reflow Soldering
- I.C. compatible

OPTICAL CHARACTERISTIC CURVES:

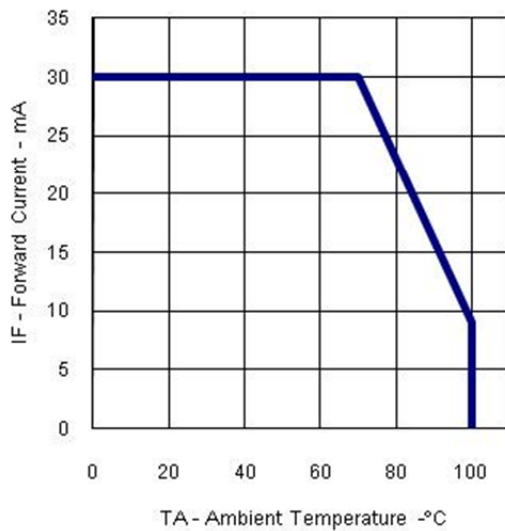
Forward Current vs. Forward Voltage



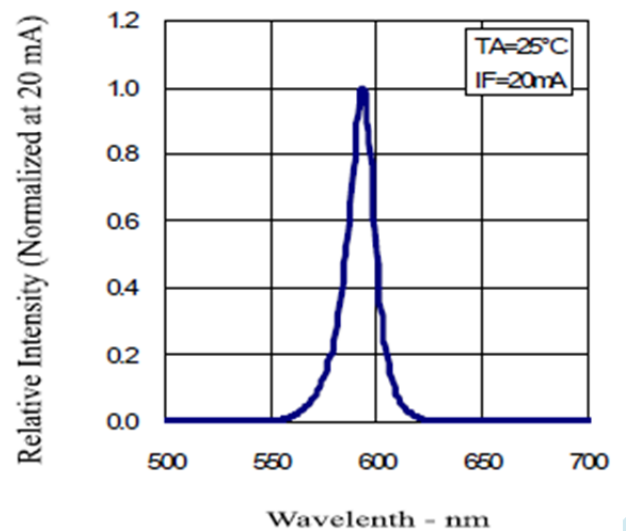
Relative Intensity vs. Forward Current



Forward Current vs. Ambient Temperature



Relative Intensity vs. Wavelength





American Opto Plus LED Corp.

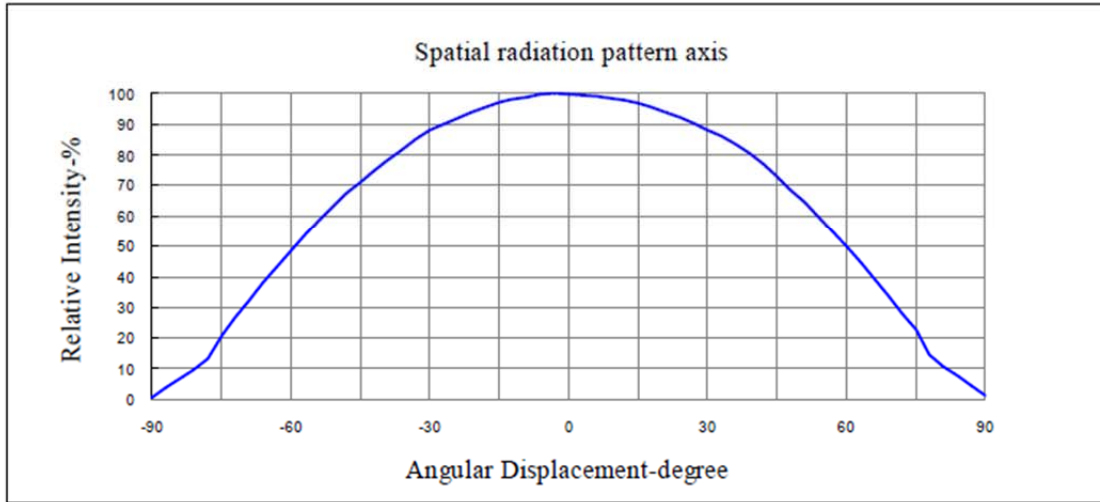
L95MYC-S

3.5 X 2.8 X 1.9mm PLCC2

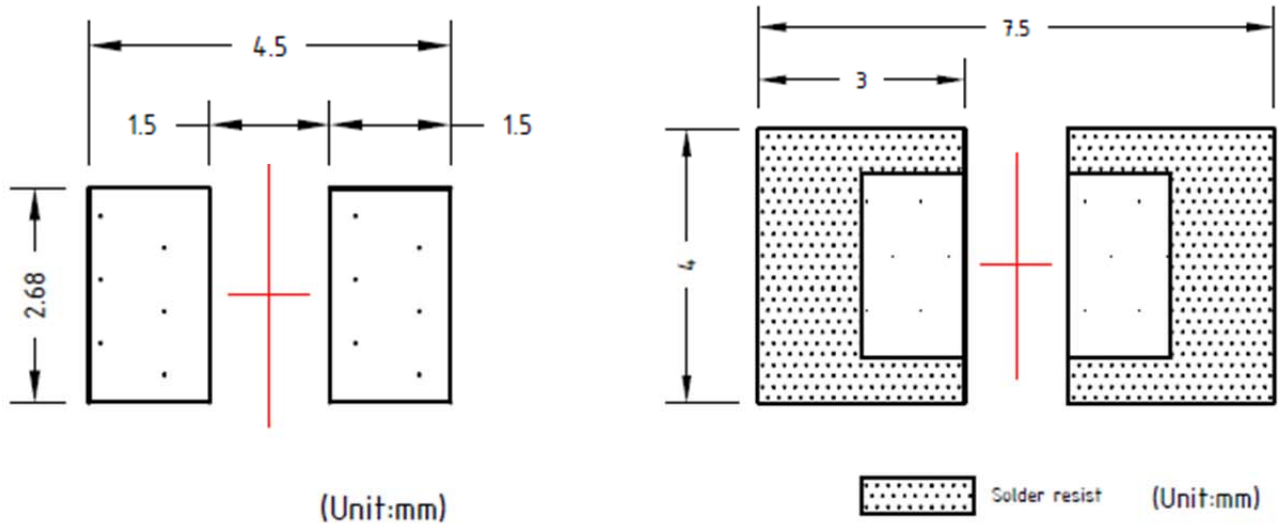
MAIN FEATURES:

- Low current requirement
- Wide viewing angle
- IR Reflow Soldering
- I.C. compatible

Radiation Pattern



Recommended Soldering Pad Pattern



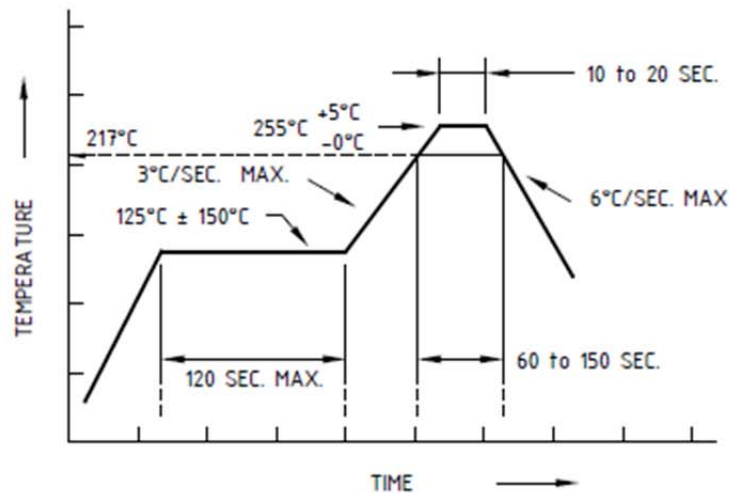
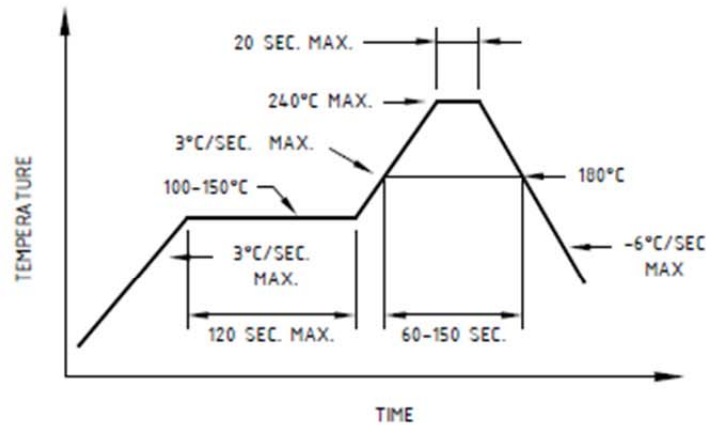


American Opto Plus LED Corp.
L955MYC-S
3.5 X 2.8 X 1.9mm PLCC2

MAIN FEATURES:

- Low current requirement
- Wide viewing angle
- IR Reflow Soldering
- I.C. compatible

Soldering Conditions:



- Repairing should not be done after the LEDs have been soldered. When repairing is unavoidable, a double-head soldering iron should be used. It should be confirmed beforehand whether the characteristics of the LEDs will or will not be damaged by repairing.
- Reflow soldering should not be done more than two times.
- When soldering, do not put stress on the LEDs during heating.
- After soldering, do not warp the circuit board.



American Opto Plus LED Corp.

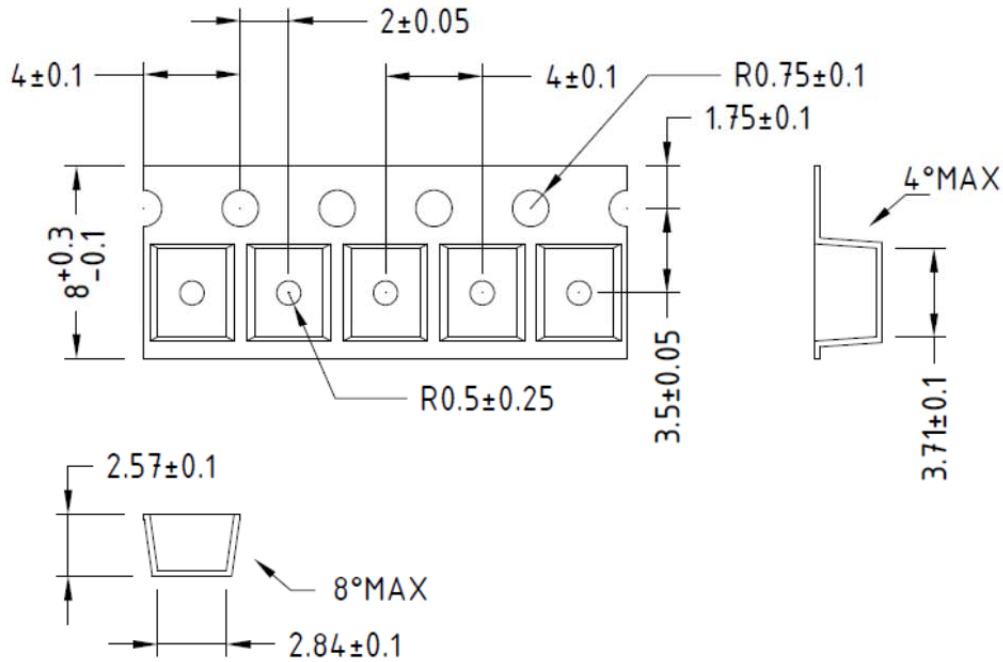
L95MYC-S

3.5 X 2.8 X 1.9mm PLCC2

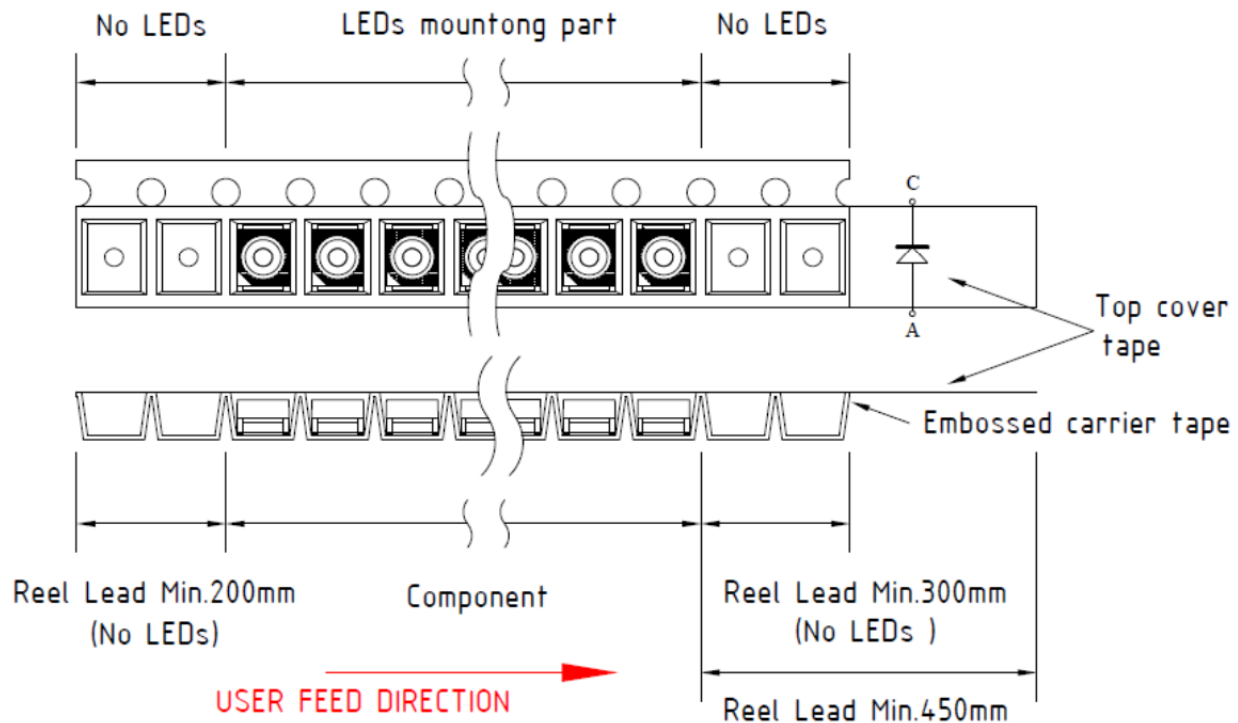
MAIN FEATURES:

- Low current requirement
- Wide viewing angle
- IR Reflow Soldering
- I.C. compatible

Tape Dimension



Tape Leader and Trailer Dimension



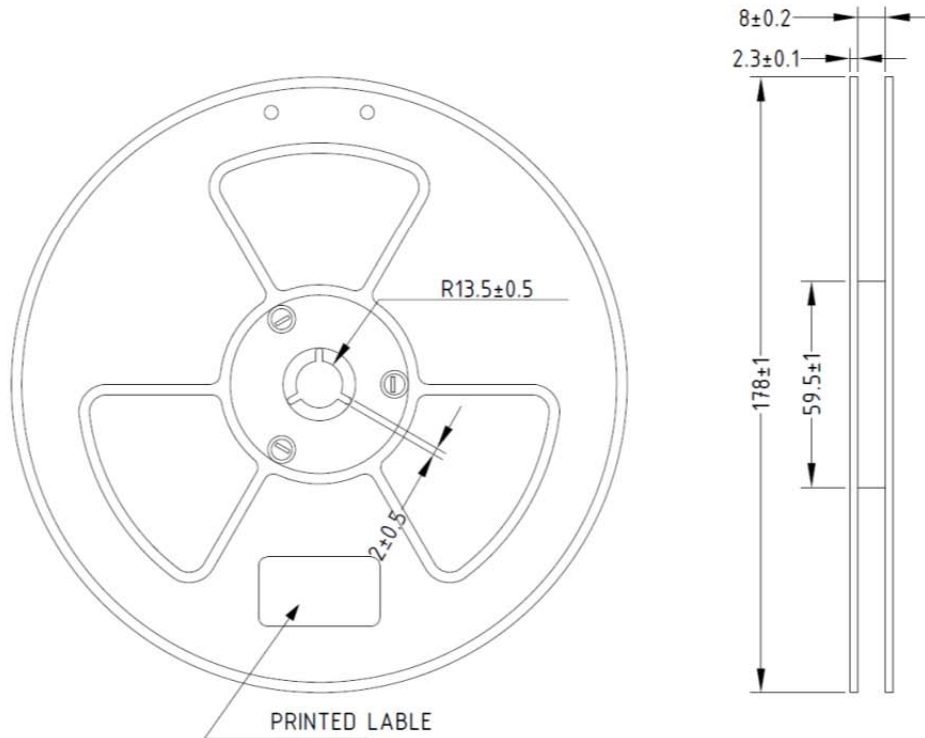


American Opto Plus LED Corp.
L955MYC-S
3.5 X 2.8 X 1.9mm PLCC2

MAIN FEATURES:

- Low current requirement
- Wide viewing angle
- IR Reflow Soldering
- I.C. compatible

Reel Dimension



Note: Baking is required under the following conditions:

The pack has been opened for more than four weeks.

Baking recommended conditions:

60 ± 5 °C for 20 hours.



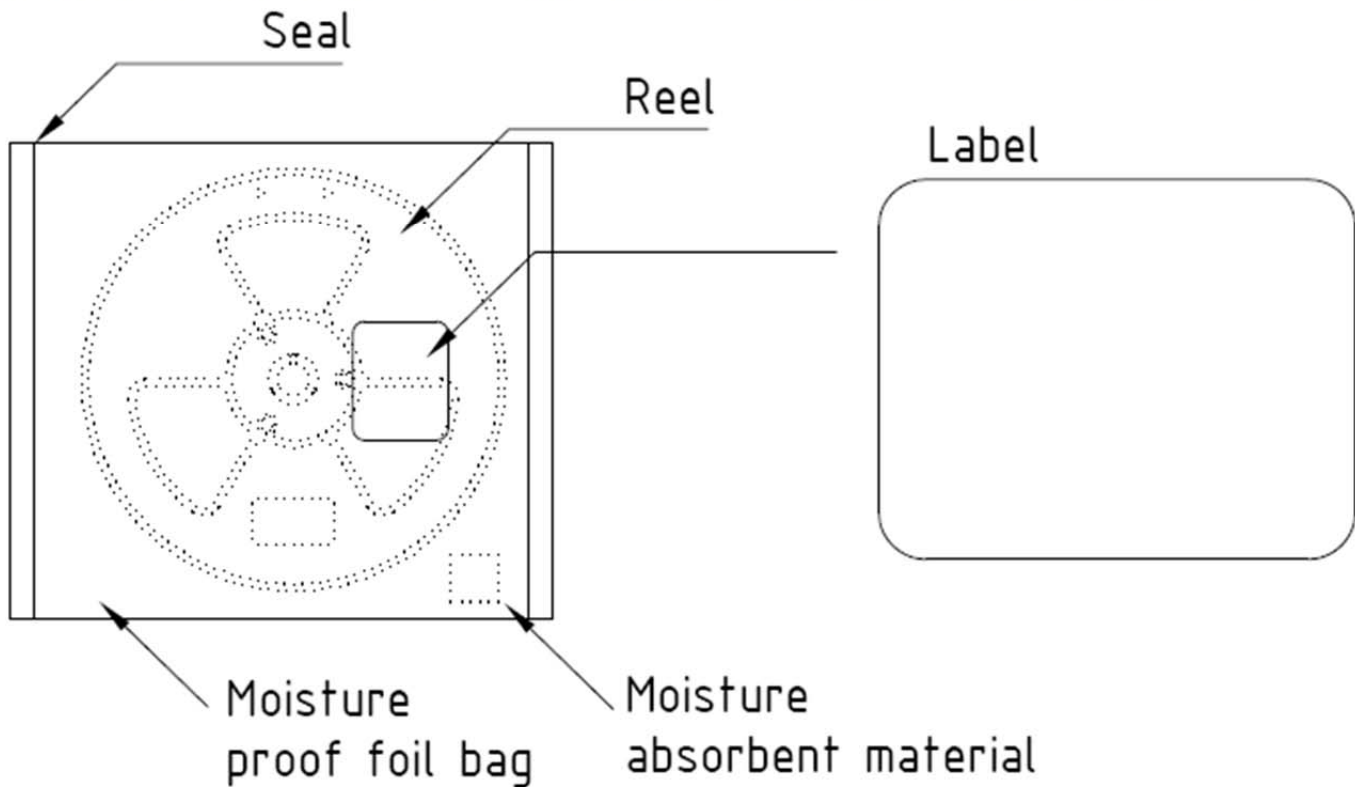
American Opto Plus LED Corp.
L955MYC-S
3.5 X 2.8 X 1.9mm PLCC2

MAIN FEATURES:

- Low current requirement
- Wide viewing angle
- IR Reflow Soldering
- I.C. compatible

Packaging Specification

The reel and moisture absorbent material are put in the moisture proof foil bag and then heat sealed.



The LEDs are packed in cardboard boxes after taping.

Please refer to figure's page.

The label on the minimum packing unit shows; Part Number, Ranking, Quantity

- In order to protect the LEDs from mechanical shock, we pack them in cardboard boxes for transportation.
- The LEDs may be damaged if the boxes are dropped or receive a strong impact against them, so precautions must be taken to prevent any damage.
- The boxes are not water resistant and therefore must be kept away from water and moisture.