

Product Change Notification

**QSFP28 100G SR4 Module
 DFM Improvements and Addition of 2nd PCB/PCBA Source**

Scope of Change Notification

This product change notification (PCN) outlines DFM Improvements and 2nd Sourcing of certain components in the QSFP28 100G SR4 Module.

The Finisar Part Numbers affected by this PCN are:

The Part Number(s) affected by this PCN are:

Finisar Part Numbers
FTLC9551REPM
FTLC9551REPM-yy
FTLC9551SEPM
FTLC9551SEPM-yy
FTLC9554REPM

Where yy may be any character

Reason for Change

Finisar is making improvements to enhance the manufacturability of the module. These changes will have no impact to the 100G QSFP28 SR4 Module data sheet specifications.

Detailed Description of Change

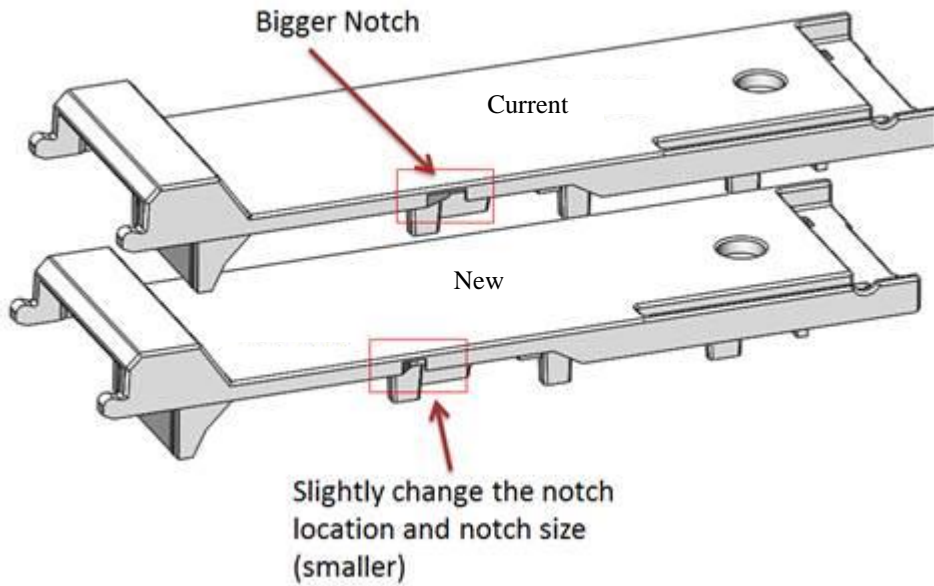
1. DFM Improvements:

- Moving the CDR chip to dedicated mask to make minor improvements and ensure continuity of supply. Currently the CDR chip is on a shared mask. The new chip is pin compatible and a drop-in replacement.

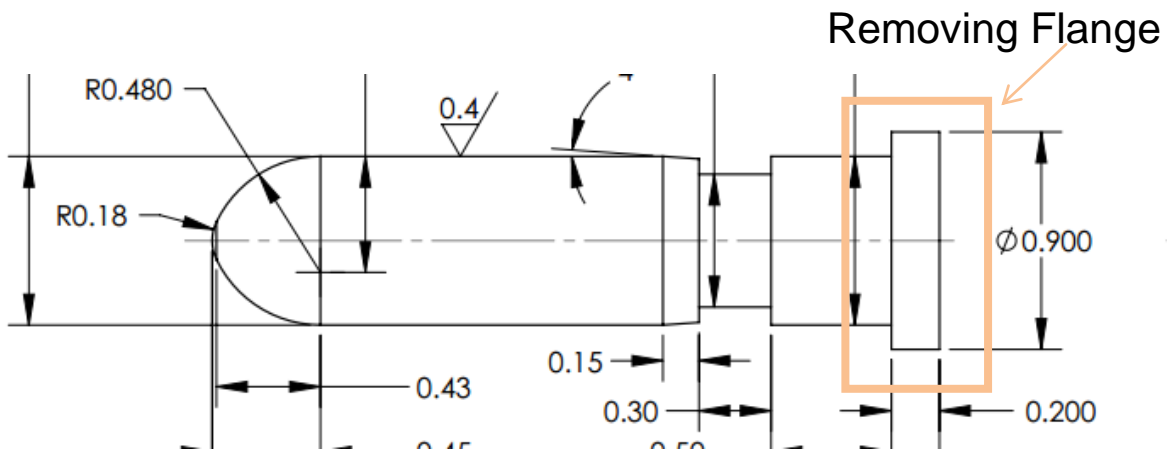
Note: Module production will use CDR chips from both the current mask and the new dedicated mask.

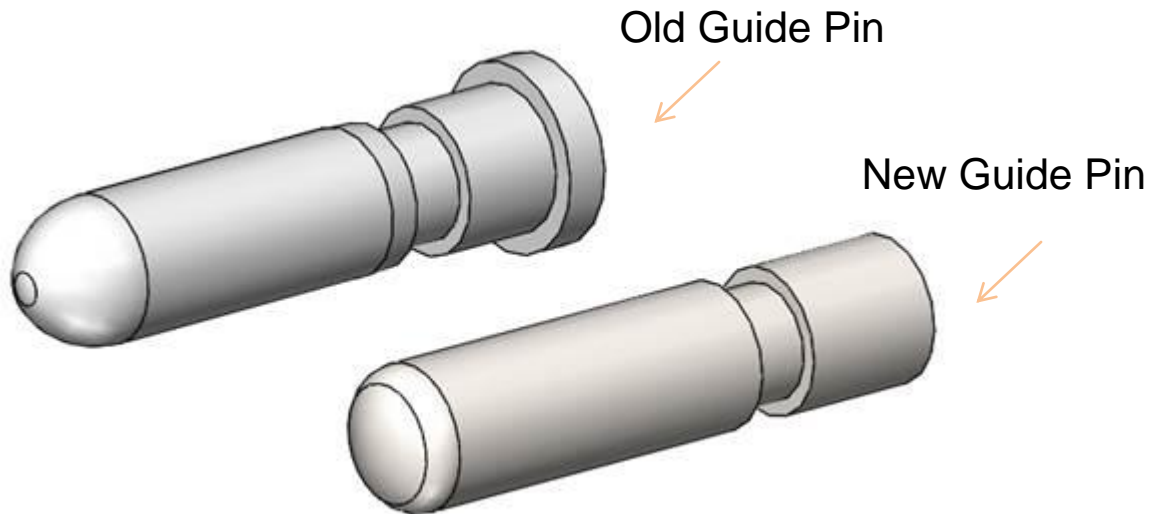
- The CDR Firmware will be upgraded to make improvements to the module performance upon cold start:
 - o Improve the auto-ranging algorithm to improve locking of the CDR when initialized at cold temperatures and subsequently ramping up to 55C by choosing a better locking point.
 - o Improve Tx CDR performance around boot up during initialization at cold (zero CDR bias current)

- To improve adhesion of the flex, Finisar is adding a solder mask to the flex designs, as well as adding a 2nd source flex vendor.
- Improve the Housing (Top Shell) by slightly reducing the notch size and moving the notch location to ensure that the module will not stick in a cage. See picture below.



- Modify guide pin including removal of flange (pin will have same diameter). See drawings below.





2. 2nd Sourcing:
- Adding 2nd source for rigid PCB.
 - Adding 2nd source for PCBA assembly

Implementation Date

Finisar is targeting implementation on a rolling basis starting within 90 days of issuance of this notice or sooner as approved by individual customers. Note that these changes are independent of each other and may be incorporated at different times. Traceability will be maintained.

For more information please contact your local Finisar representative, or

Finisar Corporation
1389 Moffett Park Drive
Sunnyvale, California 94089-1133 USA

Tel. (408) 548-1000

sales@finisar.com

Fax (408) 541-6138

www.finisar.com