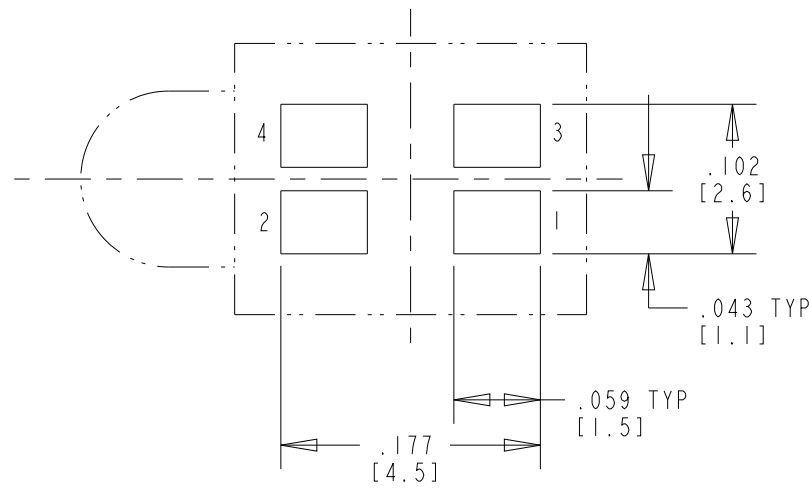
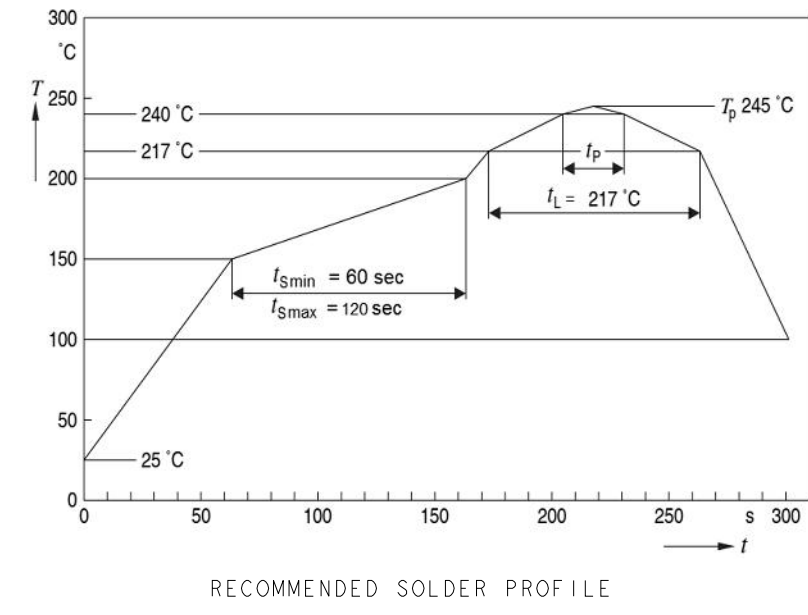


OPERATING CHARACTERISTICS AT 25°C AMBIENT											
LED COLOR	LUMINOUS INTENSITY @ I <sub>F</sub> = 10 mA (mcd)			FORWARD VOLTAGE @ I <sub>F</sub> = 2 mA (V)		REVERSE CURRENT (μA) V = 12V		DOMINANT WAVELENGTH (nm)			PEAK WAVELENGTH (nm)
	MIN	TYP	MAX	TYP	MAX	TYP	MAX	MIN	TYP	MAX	TYP
YLW/GRN	—	22	—	1.8	2.2	0.01	10	580	587	595	591
YELLOW GREEN	—	12	—	—	—	—	—	566	570	575	572

REV.	ECN NO.	REVISIONS	DRN.	CKD.	APP.	DATE
A	—	NEW RELEASE	TWC	—	—	2-19-03
B	—	UPDATED LUMINOUS INT. SPECS	AJF	KLJ	NO	3-8-10
C	—	UPDATED SOLDER PROFILE, REVERSE VOLTAGE	BP	—	NO	8-8-17
D	—	UPDATED LED SPECS FOR THE NEW LED	BP	—	NO	8-23-17

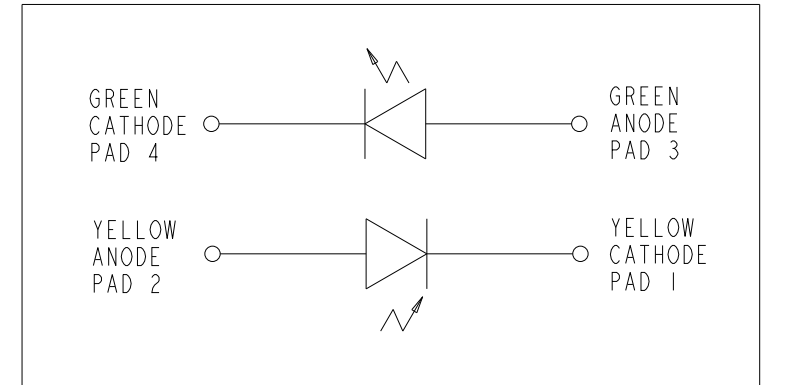
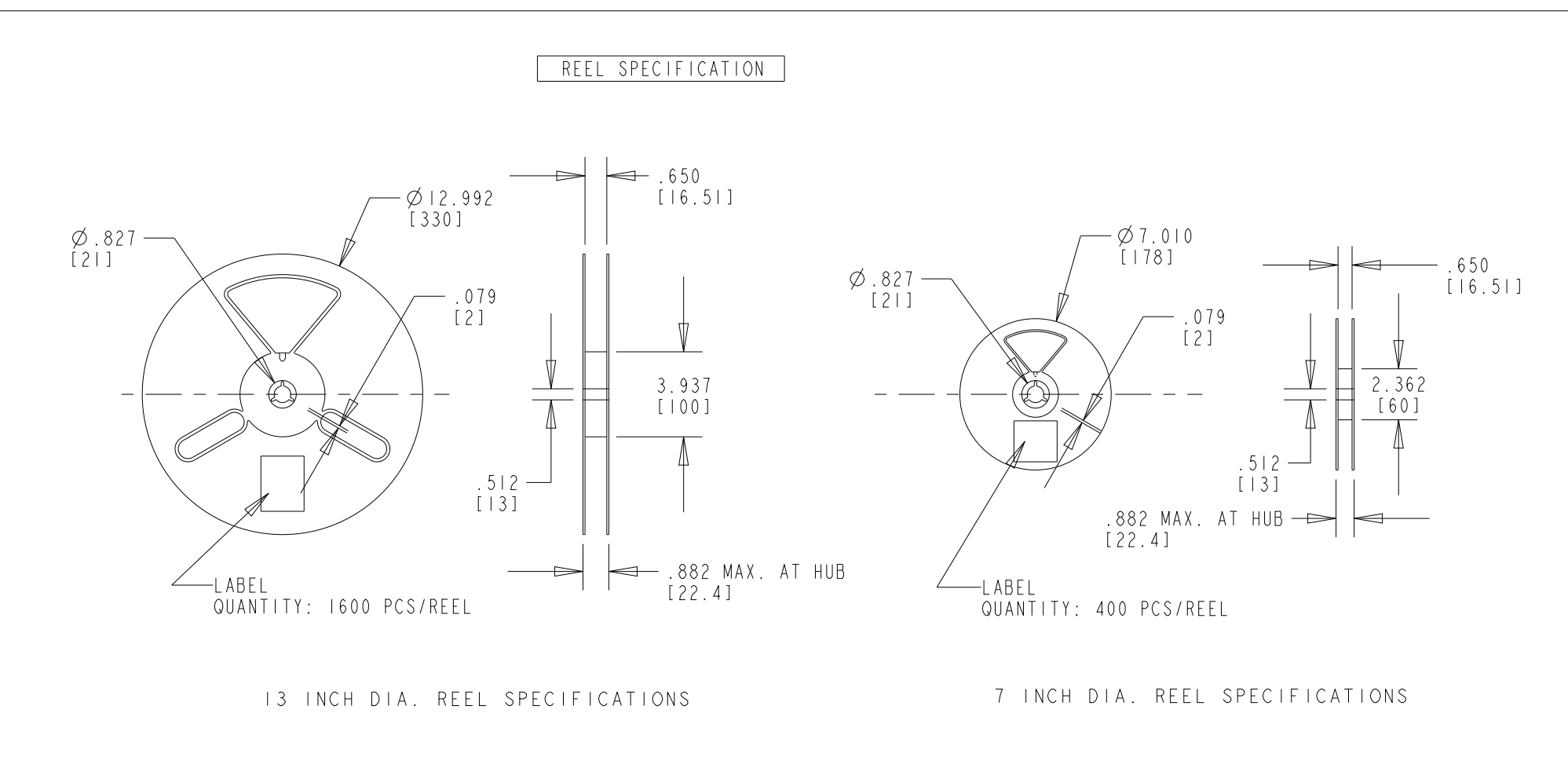
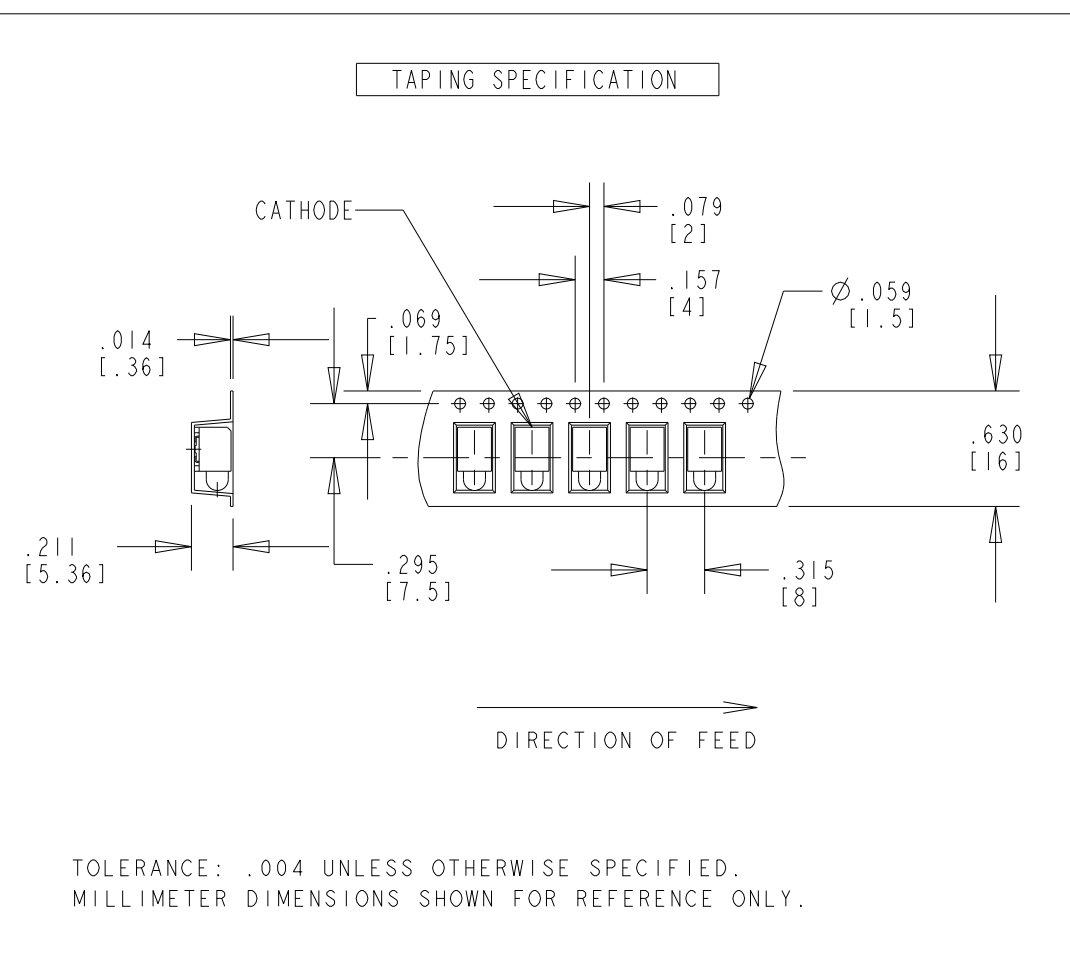
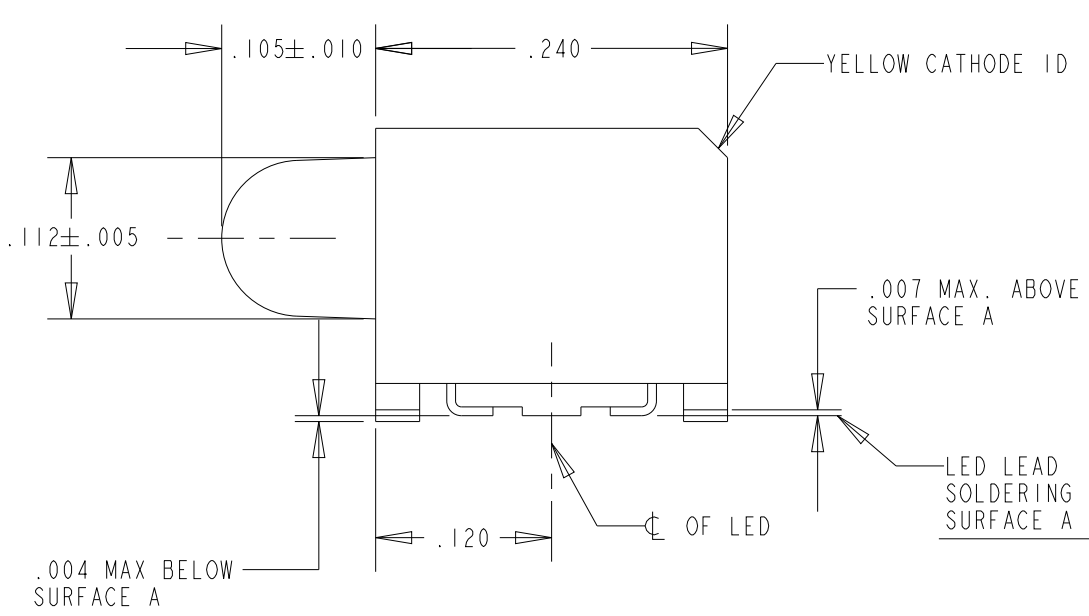
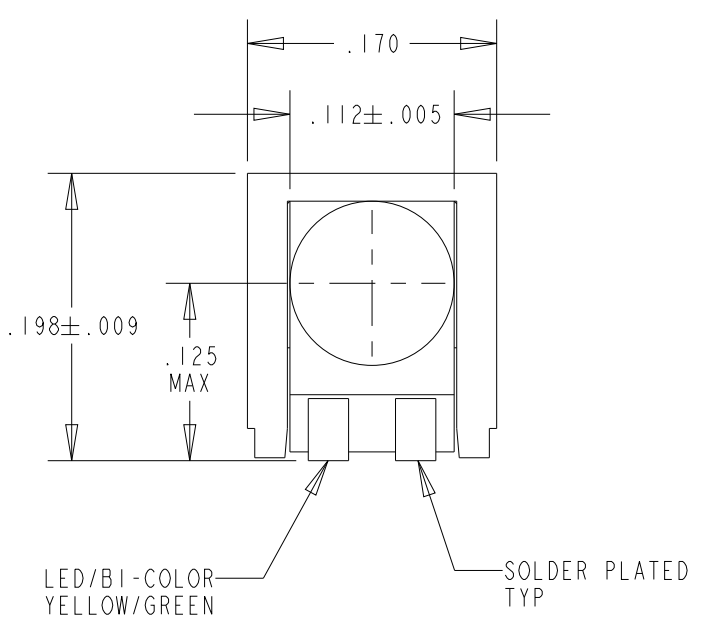


COMPONENT SIDE  
RECOMMENDED PC BOARD LAND PATTERN  
(DIM'S ± .004)

ABSOLUTE MAXIMUM RATINGS AT 25 °C AMBIENT	SUPER RED	GREEN	UNITS
CONTINUOUS FORWARD CURRENT	15		mA
REVERSE VOLTAGE	12		V
SURGE CURRENT	100		mA
PEAK SOLDERING TEMPERATURE	245		°C
OPERATING TEMPERATURE	-40 TO +100		°C
STORAGE TEMPERATURE	-40 TO +100		°C
TIME ABOVE LIQUIDUS TEMPERATURE (t <sub>L</sub> )	80 Seconds Minimum		s
	100 Seconds Maximum		
TIME WITHIN 5°C OF SPECIFIED PEAK TEM (T <sub>p</sub> - 5°C)	10 Seconds Minimum		s
	30 Seconds Maximum		
PEAK TEMPERATURE T <sub>p</sub>	245 Recommended		°C
	260 Maximum		
RAMP-UP RATE TO PREHEAT (25°C TO 150°C)	2 °C/s Recommended		°C/s
	3 °C/s Max		
RAMP-UP RATE TO PEAK (T <sub>Smax</sub> TO T <sub>p</sub> )			
RAMP-DOWN RATE (T <sub>p</sub> TO 100°C)	3 °C/s Recommended		°C/s
	6 °C/s Max		
TIME (25°C TO T <sub>p</sub> )	480 Seconds Maximum		s

NOTES:

- MILLIMETER DIMENSIONS SHOWN FOR REFERENCE ONLY.
- PAD NUMBERS FOR REFERENCE ONLY. DESIGNATION NON-EXISTENT ON PART.
- STORAGE CONDITIONS FOR TAPED PRODUCT: RE-TAPING MAY BE NECESSARY FOR PRODUCT STORED MORE THAN TWELVE MONTHS.
- LEADS: TIN (Sn) OVER NICKEL (Ni)
- ORDER QUANTITY IS LED ASSEMBLIES. NOT REELS.
- 002F SUFFIX MEANS PARTS ARE PACKED ON A 20 PCS SAMPLE STRIP.  
-007F SUFFIX MEANS PARTS ARE PACKED ON 7 INCH REEL, 400 PCS/REEL.  
-013F SUFFIX MEANS PARTS ARE PACKED ON A 13 INCH REEL, 1600 PCS/REEL.
- LENS MOVEMENT IN RELATIONSHIP TO THE HOUSING IS:  
.009" T.I.R. VERTICALLY.  
.007" T.I.R. HORIZONTALLY.
- FRONT AND REAR TERMINALS OF ASSEMBLY TO BE WITHIN .005 COPLANARITY.
- DIALIGHT PART NUMBER: 591-3101-002F, 591-3101-007F, 591-3101-013F.
- DEVICE HAS A MOISTURE SENSITIVITY LEVEL "2" CAUTION LABEL APPLIED AS PER JEDEC STD. 033.
- THIS PRODUCT IS RoHS COMPLIANT (Pb FREE). EACH BAG AND REEL IS MARKED WITH RoHS COMPLIANT LABEL 9100-117-0852-99 OR EQUIVALENT MARKINGS.



THIS DRAWING AND THE CONTENTS HEREIN ARE CONFIDENTIAL AND THE SOLE PROPERTY OF DIALIGHT CORP. REPRODUCTION OF THIS DRAWING OR CONSTRUCTION OF ANY PARTS WITHIN THIS DRAWING ARE FORBIDDEN WITHOUT THE WRITTEN CONSENT OF DIALIGHT CORP.		
SCALE: DRAWING SCALE	DRAWING NUMBER	REV
ALL DIM'S IN: INCHES (MM)	C-17259	D
TOLERANCES: UNLESS OTHERWISE SPECIFIED	TITLE 3mm PRISM SMT RoHS COMPLIANT CBI	
FRACTIONS: ±1/64	MATERIAL	
DECIMALS (.XX): ±.01	FINISH	
DECIMALS (.XXX): ±.005	FSCM 83330	
DECIMALS (.XXXX): ±.0005	SHEET 1 OF 1 FAMILY TABLE:	
ANGLES: ±1°	Dialight 1501 ROUTE 34 SOUTH FARMINGDALE, NJ 07727 (732) 919-3119 www.dialight.com	

TOLERANCE: .004 UNLESS OTHERWISE SPECIFIED.  
MILLIMETER DIMENSIONS SHOWN FOR REFERENCE ONLY.