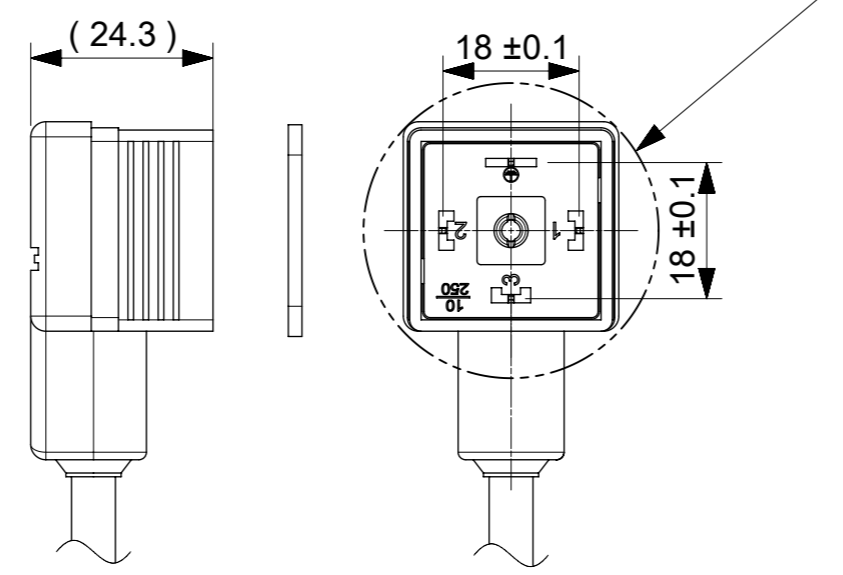
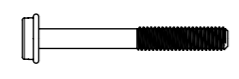


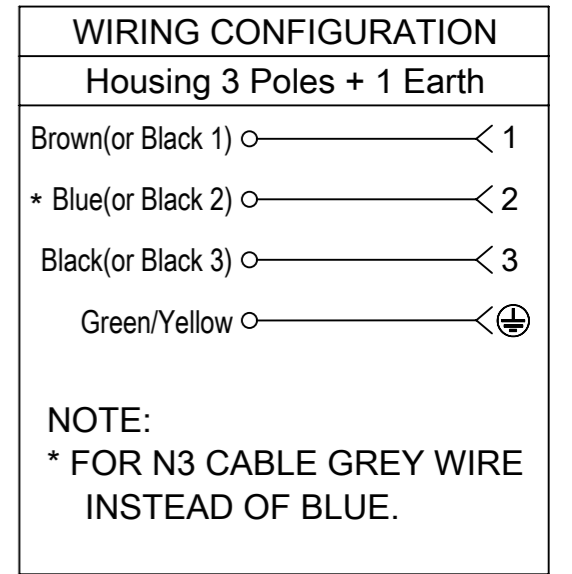
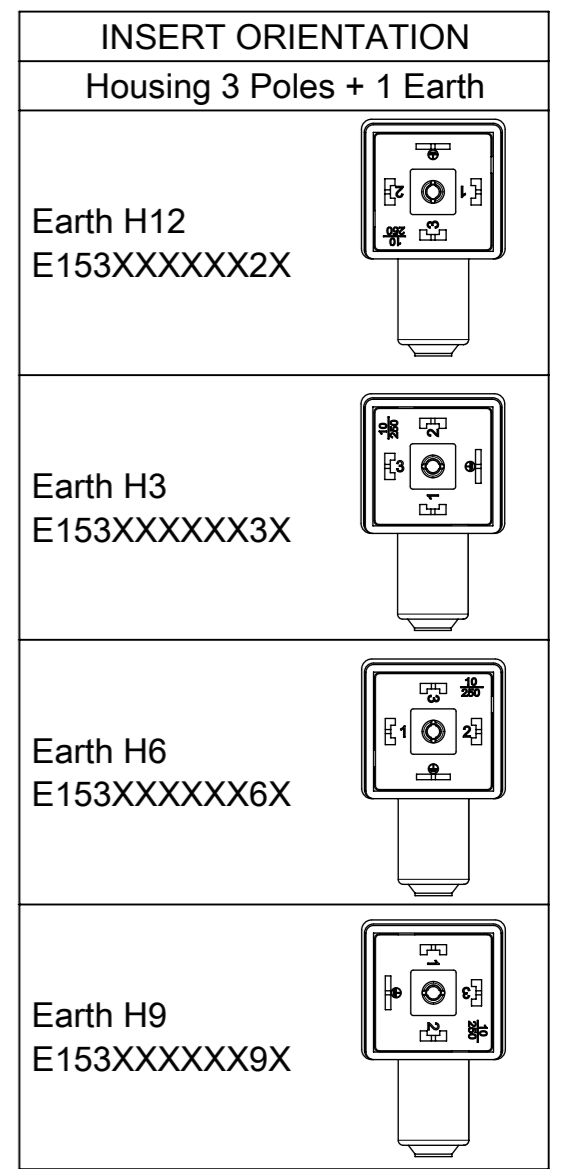
Type of Screw and Gasket  
see sheet 2, PN KEY



Over	Up to and Including	TOLERANCE
0	1000	±20
1000	3000	±30
3000	5000	±40
5000	10000	±50
10000	15000	±100
15000	20000	±150
20000		±L/100

Type of Screws and Gaskets

Profiled Gasket	Flat Gasket	Integrated Gasket	Screw M3x25
			Screw M3x27 + Washer
			NBR Washer



SYMBOLS	THIS DRAWING CONTAINS INFORMATION THAT IS PROPRIETARY TO MOLEX ELECTRONIC TECHNOLOGIES, LLC AND SHOULD NOT BE USED WITHOUT WRITTEN PERMISSION		CURRENT REV DESC: REVISED		<b>molex</b>
	DIMENSION UNITS	SCALE			
▽ = 0	mm	1:1			PRODUCT CUSTOMER DRAWING
▽ = 0	GENERAL TOLERANCES (UNLESS SPECIFIED)				DOCUMENT NUMBER
▽ = 0	ANGULAR TOL ± °				1210401500
▽ = 0	4 PLACES ±		EC NO: 616147		DOC TYPE
▽ = 0	3 PLACES ±		DRWN: MDHARMANTI 2019/04/17		PSD
▽ = 0	2 PLACES ±		CHK'D: RSILLER 2019/04/24		000
▽ = 0	1 PLACE ±		APPR: RSILLER 2019/04/24		A1
▽ = 0	0 PLACES ±		INITIAL REVISION:		REVISION
▽ = 0	DRAFT WHERE APPLICABLE MUST REMAIN WITHIN DIMENSIONS		DRWN: APAWLAK01 2018/05/24		
▽ = 0	THIRD ANGLE PROJECTION		APPR: RSILLER 2018/09/07		
	DRAWING		SERIES		MATERIAL NUMBER
	A3-SIZE		121040		CUSTOMER
			SEE 1210401500 PDP		GENERAL MARKET
			SHEET NUMBER		1 OF 2

PN KEY - NUMERICAL CODE (Available parts see PART LIST table. Others parts available upon request).

**E 1 5 3 X X X X X X X X**

E - Packing without bags  
W - Single Packing

Number of wires:  
3 - 3 Wires + Earth

Cable type:  
See Table

Head Colour:  
G - Grey  
N - Black  
A - CSA-UL Black  
B - CSA-UL Grey

Cable Length in [cm]  
Examples:  
050 = 50cm  
300 = 300cm  
10K = 1000cm

Earth PIN location (see insert orientation table):  
2 = Earth on H12  
3 = Earth on H3  
6 = Earth on H6  
9 = Earth on H9

Type of Gasket and Screw (see sheet 1):  
1 = NBR Profile Gasket + Fixing Screw M3x25mm  
2 = NBR Flat Gasket + Fixing Screw M3x25mm  
3 = Silicone Profile Gasket + Fixing Screw M3x25mm  
4 = Silicone Flat Gasket + Fixing Screw M3x25mm  
P = NBR Integrated Gasket + Fixing Screw with Washer M3x27mm Assembled on Connector  
R = NBR Integrated Gasket + Fixing Screw with Washer M3x27mm NOT Assembled on Connector  
T = NBR Profile Gasket + Fixing Screw with Washer M3x27mm

CABLE TYPE	NO. OF WIRES	CROSS SECTION	CABLE O.D.	CABLE JACKET	UL	CSA	STATIC: TEMP. / BENDING RADIUS	DYNAMIC: TEMP. / BENDING RADIUS	SHIELD
A2	4	AWG 20	6.2mm±0.25	PVC BLACK	UL 2661	CSA C22.2	-30°C to +105°C, 10xO.D.	-5°C to +105°C, 15xO.D.	-
A3	4	AWG 18	7.0mm+0.3/0	PVC BLACK	UL 2661	CSA C22.2	-30°C to +105°C, 10xO.D.	-5°C to +105°C, 15xO.D.	-
B2	4	AWG 20	6.3mm±0.2	PUR BLACK	UL 20668	CSA C22.2	-40°C to +90°C, 5xO.D.	-25°C to +90°C, 10xO.D.	-
B3	4	AWG 18	7.0mm±0.2	PUR BLACK	UL 20668	CSA C22.2	-40°C to +90°C, 5xO.D.	-25°C to +90°C, 10xO.D.	-
D3	4	0.75mm <sup>2</sup>	7.45mm±0.85	PVC GREY	-	-	-20°C to +70°C, 3xO.D.	-15°C to +70°C, 5xO.D.	-
I2	4	0.5mm <sup>2</sup>	6.5mm±0.2	PVC GREY	-	-	-25°C to +70°C, 10xO.D.	-5°C to +70°C, 15xO.D.	-
I3	4	0.75mm <sup>2</sup>	7.0mm±0.2	PVC GREY	-	-	-25°C to +70°C, 10xO.D.	-5°C to +70°C, 15xO.D.	-
N2	4	0.5mm <sup>2</sup>	6.05mm±0.2	PVC BLACK	-	-	-20°C to +70°C	+5°C to +70°C	-
N3	4	0.75mm <sup>2</sup>	7.45mm±0.85	PVC BLACK	-	-	-20°C to +70°C, 3xO.D.	-15°C to +70°C, 5xO.D.	-
P2	4	0.5mm <sup>2</sup>	6.5mm±0.2	PUR BLACK	-	-	-40°C to +90°C, 7.5xO.D.	-15°C to +90°C, 12.5xO.D.	-
P3	4	0.75mm <sup>2</sup>	6.9mm±0.1	PUR BLACK	-	-	-40°C to +90°C	-15°C to +90°C, 10xO.D.	-
W3	4	0.75mm <sup>2</sup>	7.0mm	WSOR BLACK	-	-	-	-25°C to +80°C, 7.5xO.D.	-
W4	4	1mm <sup>2</sup>	7.6mm	WSOR BLACK	-	-	-	-25°C to +80°C, 7.5xO.D.	-

Specification:  
Current: max. 5A  
Voltage: 250V  
Contact Resistance: 15milliohms max.  
Operating Temperature with:  
NBR Gasket: -40°C +90°C  
Silicone Gasket: -40°C +125°C

Notes:  
1. Please see excel sheet 1210401500\_PDP for currently configured part numbers.

SYMBOLS	THIS DRAWING CONTAINS INFORMATION THAT IS PROPRIETARY TO MOLEX ELECTRONIC TECHNOLOGIES, LLC AND SHOULD NOT BE USED WITHOUT WRITTEN PERMISSION		CURRENT REV DESC: REVISED		<b>molex</b>	
	DIMENSION UNITS	SCALE	GENERAL TOLERANCES (UNLESS SPECIFIED)			
	▽ = 0	mm	1:1	ANGULAR TOL ± °		STANDARD E153 DIN FORM A EN 175301-803
	▽ = 0			4 PLACES ±		EC NO: 616147
▽ = 0			3 PLACES ±		DRWN: MDHARMANTI 2019/04/17	
▽ = 0			2 PLACES ±		CHK'D: RSILLER 2019/04/24	
▽ = 0			1 PLACE ±		APPR: RSILLER 2019/04/24	
▽ = 0			0 PLACES ±		INITIAL REVISION:	
☒ = 0			DRAFT WHERE APPLICABLE MUST REMAIN WITHIN DIMENSIONS		DRWN: APAWLAK01 2018/05/24	
▽ = 0			THIRD ANGLE PROJECTION		APPR: RSILLER 2018/09/07	
		DRAWING	SERIES	MATERIAL NUMBER	CUSTOMER	SHEET NUMBER
		A3-SIZE	121040	1210401500 PDP	GENERAL MARKET	2 OF 2