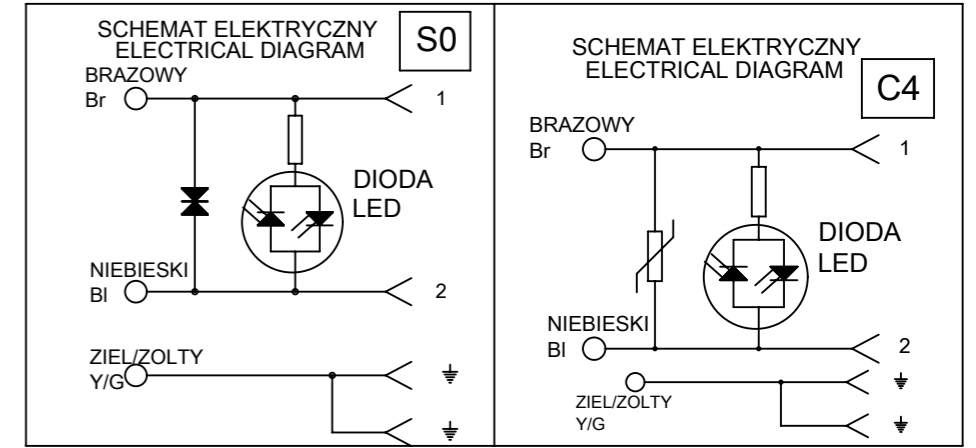
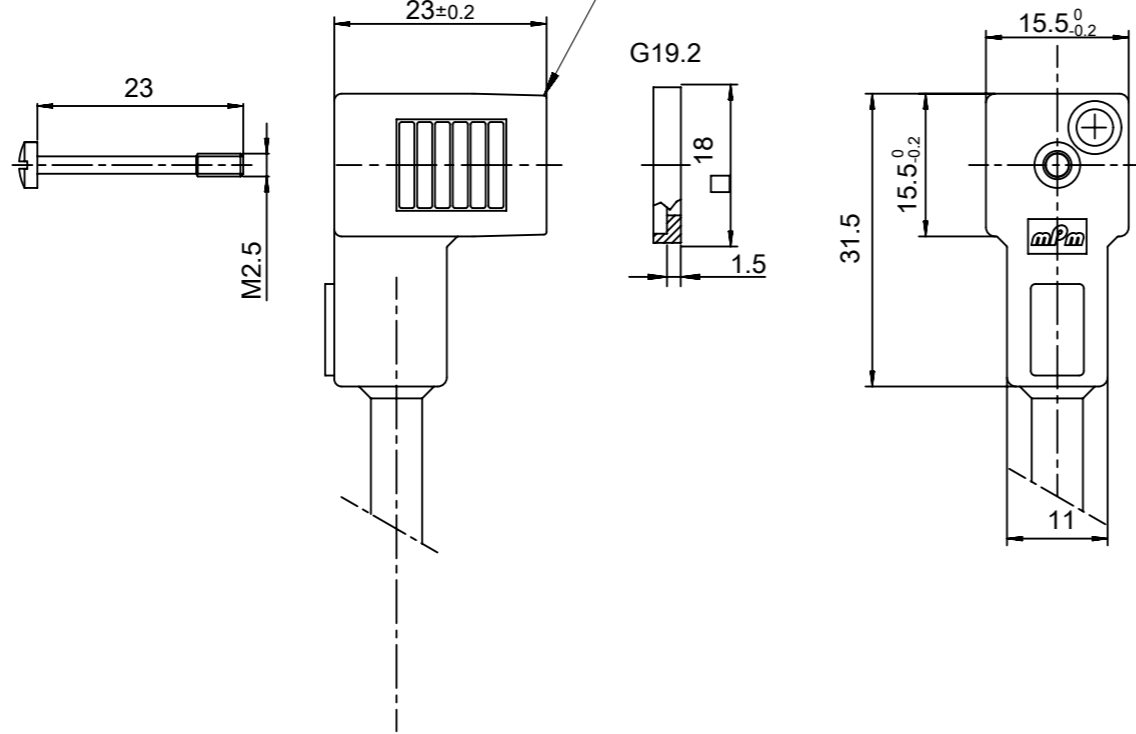


BIALY NADRUK ZE SCHEMATEM PLYTKI
CIRCUIT PRINTOUT/WHITE



UWAGI:

1. DŁUGOŚCI CIECIA I SPECYFIKACJE NABIJANIA WG LISTY CIECIA.
2. DŁUGOŚC PATRZ ARKUSZ 2.

NOTES:

1. CUTTING LENGTH AND CRIMPING SPECIFICATION IN CUTTING LIST.
2. LENGTH SEE SHEET 2.

| Table of length tolerances/Tablica tolerancji dlugosci mm | | |
|---|---------------------------------|--------------------------|
| Over/Od | Up to and including/Do-wlacznie | Tolerance/Tolerancja +/- |
| 100 | 1000 | ±20 |
| 1000 | 3000 | ±30 |
| 3000 | 5000 | ±40 |
| 5000 | 10000 | ±50 |
| 10000 | 15000 | ±100 |
| 15000 | 20000 | ±150 |
| | >20000 | L/100 |

THIS DRAWING CONTAINS INFORMATION THAT IS PROPRIETARY TO MOLEX ELECTRONIC TECHNOLOGIES, LLC AND SHOULD NOT BE USED WITHOUT WRITTEN PERMISSION

| | | | | | | |
|--|-------|--|---------|--------------------------|-----------------|----------------|
| DIMENSION UNITS | SCALE | CURRENT REV DESC: REMOVED OBSOLETE PART NUMBERS AS PER PCN#510806. | | molex | | |
| mm | NTS | | | | | |
| GENERAL TOLERANCES (UNLESS SPECIFIED) | | | | MPM E496XXXXXXXXXX | | |
| | MM | INCH | | PRODUCT CUSTOMER DRAWING | | |
| 4 PLACES | ± | ± | | DOCUMENT NUMBER | | |
| 3 PLACES | ± | ± | | E496XXXXXXXXXX | | |
| 2 PLACES | ± | ± | | DOC TYPE | DOC PART | REVISION |
| 1 PLACE | ± | ± | | PSD | 001 | B1 |
| 0 PLACES | ± | ± | | SHEET NUMBER | | |
| ANGULAR TOL | ± | ° | | 1 OF 4 | | |
| DRAFT WHERE APPLICABLE MUST REMAIN WITHIN DIMENSIONS | | FIRST ANGLE PROJECTION | DRAWING | SERIES | MATERIAL NUMBER | CUSTOMER |
| | | | A3-SIZE | 121050 | SEE DRAWING | GENERAL MARKET |

E 4 9 6 X X X X X X X X X X X X

- E - Pakowanie bez workow
- W - Pakowanie pojedynczo
- Q - Szybkie pakowanie

ILOSC PRZEWODOW/NUMBER OF WIRES:

1=2 PRZEWODY,
 2=3 PRZEWODY,
 3=4 PRZEWODY,
 6=3 PRZEWODY.

TYP KABLA/CABLE TYPE

PATRZ TABELA 1/SEE TABLE 1

RODZAJ KABLA/CABLE CROSS SECTION AREA

PATRZ TABELA 2/SEE TABLE 2

KOLOR MOULDINGU/HEAD COLOUR:

G=SZARY/GREY;
 N=CZARNY/BLACK;
 T=PRZECZYSTY/TRANSPARENT;
 A=CZARNY/BLACK;
 B=SZARY/GREY.

DLUGOSC KABLA W CM/CABLE LENGHT IN CM

NP:050=50 CM, 300=300 CM.

POLOZENIE PINU Z UZIEMIENIEM/EARTH PIN LOCATION:

1=PODWOJNE UZIEMIENIE NA GODZINIE 6 ORAZ 12/DOUBLE EARTH ON 6H AND 12H,
 2=UZIEMIENIE NA GODZINIE 12/1EARTH ON 12H,
 6=UZIEMIENIE NA GODZINIE 6/EARTH ON 6H.

GASKET ORAZ SRUBY/GASKET SCREWS:

1=GASKET PROFILOWANY+SRUBA/NBR PROFILE GASKET+FIXING SCREWS,
 2=NBR PLASKI GASKET+SRUBA/NBR FLAT GASKET+SCREW,
 3=SILIKONOWY PROFILOWANY GASKET+SRUBA/SILICONE PROFILE GASKET+SCREW,
 4=SILIKOWANY PLASKI GASKET+SRUBA/SILICON FLAT GASKET+SCREW,
 P=ZINTEGROWANY GASKET+SRUBA/INTEGRATED GASKET+FIXING SCREW,
 R=ZINTEGROWANY GASKET+SRUBA/INTAGRATED GASKET+SCREW,
 T=PROFILOWANY GASKET+SRUBA, PROFILE GASKET+SCREW.

RODZAJ POLACZENIA/INTERNAL CIRCUIT

PATRZ SCHEMATY POLACZEN/WIREING CONFIGURATION

NAPIECIE ORAZ KOLOR DIODY/VOLTAGE AND LED COLOUR:

| | | | |
|---------|---------|---------|---------------------------|
| 1= 12V | A= 12V | G= 12V | |
| 2= 24V | B= 24V | H= 24V | ZOLTA DIODA YELLOW LED |
| 3= 48V | C= 48V | K= 48V | |
| 4= 115V | D= 115V | L= 115V | |
| 5= 230V | E= 230V | M= 230V | |
| | | | |

CZERWONA DIODA RED LED ZIELONA DIODA GREEN LED


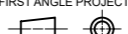
| | | | | | | | | | | |
|---|---|---|--------------|---|----------|-----------------|----------------|----------|----------|----------|
| THIS DRAWING CONTAINS INFORMATION THAT IS PROPRIETARY TO MOLEX ELECTRONIC TECHNOLOGIES, LLC AND SHOULD NOT BE USED WITHOUT WRITTEN PERMISSION | | | | | | | | | | |
| DIMENSION UNITS | | SCALE | | CURRENT REV DESC: REMOVED OBSOLETE PART NUMBERS AS PER PCN#510806. | | | | | | |
| mm | | NTS | |  MPM E496XXXXXXXXXX PRODUCT CUSTOMER DRAWING | | | | | | |
| GENERAL TOLERANCES (UNLESS SPECIFIED) | | | | | | | | | | |
| | | MM | INCH | | | | | | | |
| 4 PLACES | ± | | ± | EC NO: 733771 | | | | | | |
| 3 PLACES | ± | | ± | DRWN: LIKITV 2023/01/10 | | | | | | |
| 2 PLACES | ± | | ± | CHK'D: GGA 2023/02/24 | | | | | | |
| 1 PLACE | ± | | ± | APPR: GGA 2023/02/24 | | | | | | |
| 0 PLACES | ± | | ± | INITIAL REVISION: | | | | | | |
| ANGULAR TOL | | ± | ° | DRWN: MWOLSZCZAK 2009/01/21 | | | | | | |
| | | | | APPR: GOGRODNIK 2009/01/21 | | | | | | |
| DRAFT WHERE APPLICABLE MUST REMAIN WITHIN DIMENSIONS | | FIRST ANGLE PROJECTION | | DRAWING | SERIES | MATERIAL NUMBER | CUSTOMER | DOC TYPE | DOC PART | REVISION |
| | |  | | A3-SIZE | 121050 | SEE DRAWING | GENERAL MARKET | PSD | 001 | B1 |
| DOCUMENT STATUS | | P1 | RELEASE DATE | 2023/02/24 | 12:54:34 | | | | | |
| FORMAT: Mol-lega-master-ib-prod-A3 | | REVISION: E1 | | DATE: 2021/05/01 | | | | | | |

TABELA 2 KABLE/TABLE 2 CABLES

| MOLEX PN | mPm | Code | PRZEW | PRZEKROJ | MATERIAL | KOLOR/COLOUR | SREDNICA Ø | DIN A-B | DIN C |
|------------|-----|------|-------|----------|----------------------|--------------------|---------------|---------|-------|
| 1210180080 | I | - | 3 | 1 mm2 | PVC CEI 2022 II O.R. | Szary/Grey RAL7035 | - | - | - |
| 1210180467 | A | 2 | 2 | 20 AWG | PVC CSA/UL 2661 | Czarny/Black | 5,5+/-0,2 mm | OK. | OK. |
| - | A | 2 | 3 | 20 AWG | PVC CSA/UL 2661 | Czarny/Black | 5,6+/-0,2 mm | OK. | OK. |
| 1210180394 | A | 2 | 4 | 20 AWG | PVC CSA/UL 2661 | Czarny/Black | 6,2+/-0,2 mm | OK. | OK. |
| - | A | 2 | 5 | 20 AWG | PVC CSA/UL 2661 | Czarny/Black | 7+/-0,2 mm | OK. | |
| 1210180297 | B | 2 | 2 | 20 AWG | PUR CSA/UL 20668 | Czarny/Black | 5,5+/-0,2 mm | OK. | OK. |
| 1210180126 | B | 2 | 3 | 20 AWG | PUR CSA/UL 20668 | Czarny/Black | 5,6+/-0,2 mm | OK. | OK. |
| 1210180387 | B | 2 | 4 | 20 AWG | PUR CSA/UL 20668 | Czarny/Black | 6,2+/-0,2 mm | OK. | OK. |
| - | B | 2 | 5 | 20 AWG | PUR CSA/UL 20668 | Czarny/Black | 7+/-0,2 mm | OK. | |
| 1210180122 | D | 2 | 3 | 0,5 mm2 | PVC TI2 CEI 20-20 | Szary/Grey | - | - | - |
| - | F | 2 | 3 | 0,5 mm2 | CNOMO | Szary/Grey RAL7000 | 5,5+/-0,2 mm | OK. | OK. |
| 1210180047 | I | 2 | 2 | 0,5 mm2 | PVC CEI 2022 II O.R. | Szary/Grey RAL7035 | 5,5+/-0,2 mm | OK. | OK. |
| - | I | 2 | 3 | 0,5 mm2 | PVC CEI 2022 II O.R. | Szary/Grey RAL7035 | 5,5+/-0,2 mm | OK. | OK. |
| 1210180146 | I | 2 | 4 | 0,5 mm2 | PVC CEI 2022 II O.R. | Szary/Grey RAL7035 | 6,5+/-0,2 mm | OK. | |
| 1210180177 | I | 2 | 5 | 0,5 mm2 | PVC CEI 2022 II O.R. | Szary/Grey RAL7035 | 7+/-0,2 mm | OK. | |
| 1210180022 | N | 2 | 2 | 0,5 mm2 | PVCH03 | Czarny/Black | 5,1+ 0,2-0 mm | OK. | OK. |
| 1210180064 | N | 2 | 3 | 0,5 mm2 | PVCH03 | Czarny/Black | 5,4+ 0,2-0 mm | OK. | OK. |
| 1210180153 | N | 2 | 4 | 0,5 mm2 | PVCH03 | Czarny/Black | 5,75+0,2-0 mm | OK. | OK. |
| 1210180046 | P | 2 | 2 | 0,5 mm2 | PUR - BLEND | Czarny/Black | 5,5+/-0,2 mm | OK. | OK. |
| - | P | 2 | 3 | 0,5 mm2 | PUR - BLEND | Czarny/Black | 5,5+/-0,2 mm | OK. | OK. |
| 1210180302 | P | 2 | 4 | 0,5 mm2 | PUR - BLEND | Czarny/Black | - | - | - |
| - | P | 2 | 5 | 0,5 mm2 | PUR - BLEND | Czarny/Black | 7+/-0,2 mm | OK. | OK. |
| 1210180409 | A | 3 | 2 | 18 AWG | PVC CSA/UL 2661 | Czarny/Black | 6,5+/-0,2 mm | OK. | |
| 1210180129 | A | 3 | 3 | 18 AWG | PVC CSA/UL 2661 | Czarny/Black | 6,5+/-0,2 mm | OK. | |
| 1210180159 | A | 3 | 4 | 18 AWG | PVC CSA/UL 2661 | Czarny/Black | 7+/-0,2 mm | OK. | |
| - | A | 3 | 5 | 18 AWG | PVC CSA/UL 2661 | Czarny/Black | 7,8+/-0,2 mm | OK. | |
| 1210180351 | B | 3 | 2 | 18 AWG | PUR CSA/UL 20668 | Czarny/Black | 6,5+/-0,2 mm | OK. | |
| 1210180127 | B | 3 | 3 | 18 AWG | PUR CSA/UL 20668 | Czarny/Black | 6,5+/-0,2 mm | OK. | |
| 1210180127 | B | 3 | 4 | 18 AWG | PUR CSA/UL 20668 | Czarny/Black | 7+/-0,2 mm | OK. | |
| - | B | 3 | 5 | 18 AWG | PUR CSA/UL 20668 | Czarny/Black | 7,8+/-0,2 mm | OK. | |
| 1210180073 | D | 3 | 3 | 0,75 mm2 | PVC TI2 CEI 20-20 | Szary/Grey | - | - | - |
| 1210180145 | D | 3 | 4 | 0,75 mm2 | PVC TI2 CEI 20-20 | Szary/Grey | - | - | - |
| 1210180120 | I | 3 | 3 | 0,75 mm2 | PVC CEI 2022 II O.R. | Szary/Grey RAL7035 | - | - | - |
| 1210180143 | I | 3 | 4 | 0,75 mm2 | PVC CEI 2022 II O.R. | Szary/Grey RAL7035 | - | - | - |
| 1210180032 | N | 3 | 2 | 0,75 mm2 | PVCH05 | Czarny/Black | 6,2+ 0,2-0 mm | OK. | |
| 1210180069 | N | 3 | 3 | 0,75 mm2 | PVCH05 | Czarny/Black | 6,6+0,2-0 mm | OK. | |
| - | N | 3 | 4 | 0,75 mm2 | PVCH05 | Czarny/Black | 7,15+0,2-0 mm | OK. | |
| 1210180174 | N | 3 | 5 | 0,75 mm2 | PVCH05 | Czarny/Black | 8,0+0,2-0 mm | OK. | |
| - | P | 3 | 2 | 0,75 mm2 | PUR - BLEND | Czarny/Black | 6,5+/-0,2 mm | OK. | |

TABELA 2 KABLE/TABLE 2 CABLES

| MOLEX PN | mPm | Code | PRZEW | PRZEKROJ | MATERIAL | KOLOR/COLOUR | SREDNICA Ø | DIN A-B | DIN C |
|------------|-----|------|-------|----------|----------------------|--------------------|--------------|---------|-------|
| 1210180071 | P | 3 | 3 | 0,75 mm2 | PUR - BLEND | Czarny/Black | 6,5+/-0,2 mm | OK. | |
| 1210180152 | P | 3 | 4 | 0,75 mm2 | PUR - BLEND | Czarny/Black | 7+/-0,2 mm | OK. | |
| 1210180384 | R | 3 | 3 | 0,75 mm2 | TPR HAL. FREE | Czarny/Black | 6,5+/-0,2 mm | OK. | |
| 1210180094 | T | 3 | 3 | 0,75 mm2 | PUR CSA/UL | Żółty/Yellow | - | - | - |
| 1210180309 | Y | 3 | 3 | 0,75 mm2 | SIL/0300 | Czerwony/Red | 6,5+/-0,2 mm | - | - |
| 1210180081 | F | 4 | 3 | 1 mm2 | CNOMO | Szary/Grey RAL7000 | - | - | - |
| - | F | 4 | 4 | 1 mm2 | CNOMO | Szary/Grey RAL7000 | 7,1+0,2-0 mm | OK. | |
| 1210180042 | I | 4 | 2 | 1 mm2 | PVC CEI 2022 II O.R. | Szary/Grey RAL7035 | 7,1+0,2-0 mm | OK. | |
| 1210180079 | I | 4 | 3 | 1 mm2 | PVC CEI 2022 II O.R. | Szary/Grey RAL7035 | 7,1+0,2-0 mm | OK. | |
| 1210180036 | N | 4 | 2 | 1 mm2 | PVCH05 | Czarny/Black | 6,5+0,2-0 mm | OK. | |
| 1210180082 | N | 4 | 3 | 1 mm2 | PVCH05 | Czarny/Black | 6,9+0,2-0 mm | OK. | |
| 1210180117 | R | 4 | 3 | 1 mm2 | TPR HAL. FREE | Czarny/Black | - | - | - |
| 1210180085 | N | 5 | 3 | 1,5 mm2 | PVCH05 | Czarny/Black | 8,3+0,2-0 mm | OK. | |
| 1210180313 | I | 6 | 2 | 0,35 mm2 | PVC CEI 2022 II O.R. | Szary/Grey RAL7035 | - | - | - |
| - | A | 7 | 3 | 20 AWG | PVC CSA/UL 2661 | Żółty/Yellow | 5,6+/-0,2 mm | OK. | OK. |
| 1210180149 | I | 9 | 4 | 0,75 mm2 | PVC CEI 2022 II O.R. | Szary/Grey RAL7035 | - | - | - |

TABELA 1 TYPY KABLI/TABLE 1 CABLES TYPE

| Znakowanie /Code | Rodzaje kabla /Cable types | Właściwości /Features | Przekroje /Stranding |
|------------------|----------------------------|---|--|
| N | PVC | Kabel z dobrą rezystancją w wodzie ale słabą w oleju./Application general purpose cable which has good resistance to water, but usually poor oil resistance. | 0.5 mm2 = 15 x 0.20 0.75 mm2 = 21 x 0.20 1 mm2 = 28 x 0.20 |
| I | PVC | Zatwierdzone przez IEC 332-2A, samogaszący./Approved to IEC 332-2A, flame retardant and self extinguishing. Limited resistant to mineral oils. | 0.5 mm2 = 28 x 0.15 0.75 mm2 = 42 x 0.15 1 mm2 = 32 x 0.20 |
| P | PVC | Dobra rezystancja w olejach i chemikaljach./Offer good resistance to oil and chemicals. Can swell when constantly immersed in water. | 0.5 mm2 = 28 x 0.15 0.75 mm2 = 42 x 0.15 1 mm2 = 32 x 0.20 |
| A | PVC | Zatwierdzony porzez CSA-UL 2661.Dobra rezystancja na wode słaba na olej./ Approved to CSA-UL 2661, application general purpose cable which has good resistance to water, but usually poor oil resistance. | 20 AWG = 32 x 0.15 18 AWG = 52 x 0.15 |
| B | PVC | Zatwierdzony przez CSA-UL 20668, bardzo dobra rezystancja w oleju i chemikaljach./ Approved to CSA-UL 20668, very good resistance to oil and chemicals. | 20 AWG = 32 x 0.15 18 AWG = 52 x 0.15 |


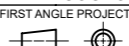
| | | | | | | | | | |
|---|--|-------|--|---|--|----------------|--|---|--|
| THIS DRAWING CONTAINS INFORMATION THAT IS PROPRIETARY TO MOLEX ELECTRONIC TECHNOLOGIES, LLC AND SHOULD NOT BE USED WITHOUT WRITTEN PERMISSION | | | | | | | | | |
| DIMENSION UNITS | | SCALE | | CURRENT REV DESC: REMOVED OBSOLETE PART NUMBERS AS PER PCN#510806. | | | |  | |
| mm | | NTS | | | | | | | |
| GENERAL TOLERANCES (UNLESS SPECIFIED) | | | | EC NO: 733771 | | 2023/01/10 | | MPM E496XXXXXXXXXX | |
| | | | | DRWN: LIKITV | | 2023/02/24 | | | |
| | | | | CHK'D: GGA | | 2023/02/24 | | PRODUCT CUSTOMER DRAWING | |
| | | | | APPR: GGA | | 2023/02/24 | | | |
| | | | | INITIAL REVISION: | | | | DOCUMENT NUMBER | |
| | | | | DRWN: MWOLSZCZAK | | 2009/01/21 | | E496XXXXXXXXXX | |
| | | | | APPR: GOGRODNIK | | 2009/01/21 | | DOC TYPE DOC PART REVISION | |
| | | | | | | | | PSD 001 B1 | |
| DRAFT WHERE APPLICABLE MUST REMAIN WITHIN DIMENSIONS | | | | FIRST ANGLE PROJECTION | | DRAWING | | SERIES | |
| | | | |  | | A3-SIZE | | 121050 | |
| | | | | MATERIAL NUMBER | | CUSTOMER | | SHEET NUMBER | |
| | | | | SEE DRAWING | | GENERAL MARKET | | 3 OF 4 | |

TABELA 3/CHART 3

| MOLEX P/N | WOODHEAD P/N |
|------------|-----------------|
| 1210501899 | E496I2N30011C4H |
| 1210501910 | E496I2N20011C4H |
| 1210501911 | E496I2N40011C4H |
| 1210501915 | E496I2N50011C4H |
| 1210501920 | E496I2N10K11C4H |
| 1210501937 | E496I2N15K11C4H |
| 1210501995 | E496T3A10011C4H |
| 1210502015 | E496T3A06011C4H |
| 1210502016 | E496T3A20011C4H |
| 1210502070 | E496T3A15011C4H |
| 1210502071 | E496T3A30011C4H |
| 1210502260 | E496I2N50012C4H |
| 1210502545 | E496N2N10012C4H |
| 1210502546 | E496N2N50012C4H |
| 1210502016 | E496T3A20011C4H |

| | | | | | | | | | |
|---|--|-------|--|--|--|-----------------|--|--------------------------|--|
| THIS DRAWING CONTAINS INFORMATION THAT IS PROPRIETARY TO MOLEX ELECTRONIC TECHNOLOGIES, LLC AND SHOULD NOT BE USED WITHOUT WRITTEN PERMISSION | | | | | | | | | |
| DIMENSION UNITS | | SCALE | | CURRENT REV DESC: REMOVED OBSOLETE PART NUMBERS AS PER PCN#510806. | | | | molex | |
| mm | | NTS | | | | | | | |
| GENERAL TOLERANCES (UNLESS SPECIFIED) | | | | EC NO: 733771 | | 2023/01/10 | | MPM E496XXXXXXXXXX | |
| | | | | DRWN: LIKITV | | 2023/02/24 | | | |
| | | | | CHK'D: GGA | | 2023/02/24 | | PRODUCT CUSTOMER DRAWING | |
| | | | | APPR: GGA | | 2023/02/24 | | | |
| | | | | INITIAL REVISION: | | | | DOCUMENT NUMBER | |
| | | | | DRWN: MWOLSZCZAK | | 2009/01/21 | | | |
| | | | | APPR: GOGRODNIK | | 2009/01/21 | | E496XXXXXXXXXX | |
| ANGULAR TOL ± ° | | | | FIRST ANGLE PROJECTION | | DRAWING | | DOC TYPE | |
| | | | | | | A3-SIZE | | PSD | |
| DRAFT WHERE APPLICABLE MUST REMAIN WITHIN DIMENSIONS | | | | SERIES | | MATERIAL NUMBER | | DOC PART | |
| | | | | 121050 | | SEE DRAWING | | 001 | |
| | | | | | | CUSTOMER | | REVISION | |
| | | | | | | GENERAL MARKET | | B1 | |
| | | | | | | | | SHEET NUMBER | |
| | | | | | | | | 4 OF 4 | |

| | | | | |
|-----------------|----|--------------|------------|----------|
| DOCUMENT STATUS | P1 | RELEASE DATE | 2023/02/24 | 12:54:34 |
|-----------------|----|--------------|------------|----------|