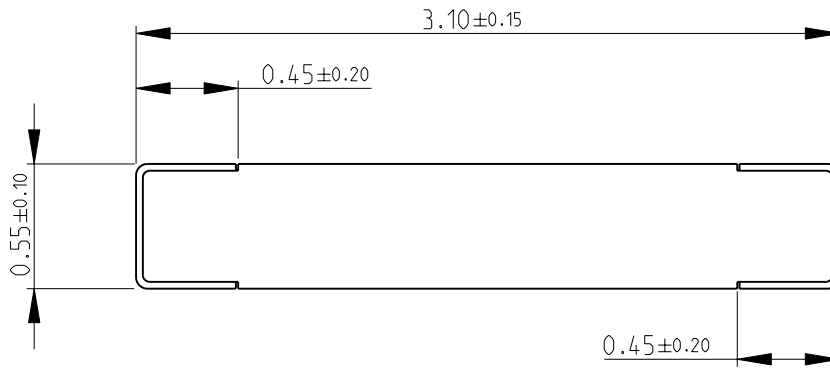
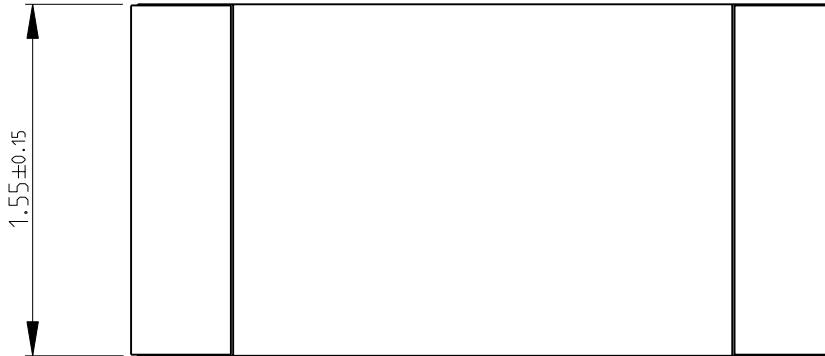
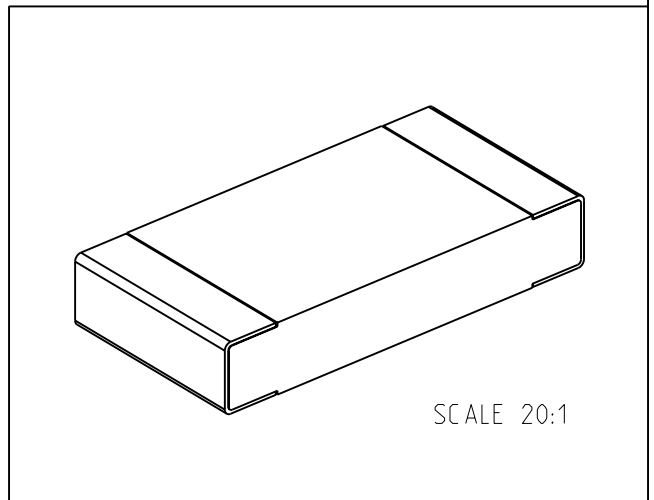


|     |      |           |     |             |           |     |      |
|-----|------|-----------|-----|-------------|-----------|-----|------|
| LOC | DIST | REVISIONS |     |             |           |     |      |
| E   | B    | P         | LTR | DESCRIPTION | DATE      | DWN | APVD |
|     |      |           | BA  | NEW RELEASE | 31-DEC-09 | MRS | St.P |

FOR FURTHER INFORMATION SEE DATA SHEET FOR  
CRG SERIES-THICK FILM CHIP RESISTORS



RoHS Compliant



SCALE 20:1

2009

RELEASED FOR PUBLICATION

THIS DRAWING IS UNPUBLISHED.

© COPYRIGHT 2009 BY TYCO ELECTRONICS CORPORATION. ALL RIGHTS RESERVED.

|  |                   |           |  |           |             |               |
|--|-------------------|-----------|--|-----------|-------------|---------------|
| DIMENSIONS:<br>mm                      | DWN<br>MAHARUDRA  | 31-DEC-09 | MATERIAL   | -         | FINISH      | -             |
|  | CHK<br>ALLAN.P    | 31-DEC-09 | Tyco Electronics Corporation<br>Dorcan, Swindon, SN3 5HH |           |             |               |
| TOLERANCES UNLESS OTHERWISE SPECIFIED: | APVD<br>STEPHEN.P | 31-DEC-09 |  |           |             |               |
| 0 PLC ±0.5                             | PRODUCT SPEC      | -         | NAME<br>THICK FILM CHIP RESISTORS<br>SERIES CRG 1206     |           |             |               |
| 1 PLC ±0.2                             | APPLICATION SPEC  | -         | SIZE   | CAGE CODE | DRAWING NO  | RESTRICTED TO |
| 2 PLC ±0.1                             |                   |           | A 4  | 00779     | © = 1623631 | -             |
| 3 PLC ± -                              | WEIGHT            | -         | CUSTOMER DRAWING   |           |             |               |
| 4 PLC ± -                              |                   |           | SCALE  | 30:1      | SHEET       | 1 OF 1        |
| ANGLES ±5°                             |                   |           |  |           | REV         | BA            |