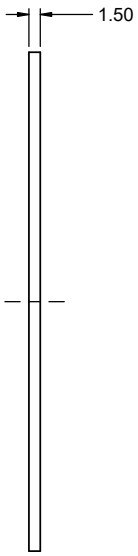
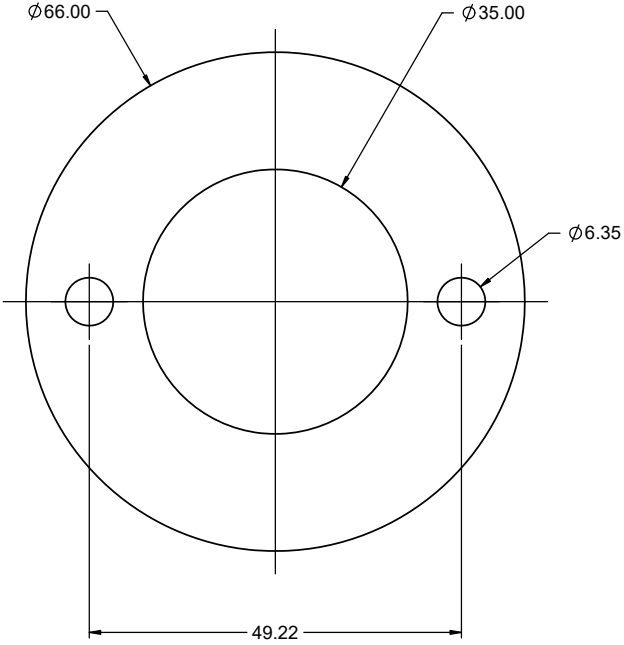


REVISIONS			
REV	DESCRIPTION, ECN, EAR NO.	DATE	APPD
C	UPDATED NOTES	AUG15/19	S.M.
D	UPDATED TOLERANCE	NOV13/19	S.M.



NOTES:

1. MATERIAL: EPDM RUBBER, COLOUR: BLACK
2. PART TO BE USED WITH FLA SERIES DIMMING CONTROL RECEPTACLES
3. MATERIAL IS RoHS COMPLIANT PER EU DIRECTIVE 2011/65/EU AND AMENDMENTS.



AMPHENOL PART NUMBER: FLA-2N-01BP

UNLESS SPECIFIED OTHERWISE	DRAWN	B.COPPING	NOV13/18	Amphenol Canada Corp. Commercial Products FLA SERIES, PANEL GASKET, RoHS COMPLIANT
PRIMARY UNITS MILLIMETERS	CHECKED	S.MUGAN	NOV14/18	
SECONDARY	M.E. APPD			
REFERENCE IN PARENTHESES	Q.A. APPD			
GENERAL TOLERANCES		DWG APPR.		
1 DECIMAL PLACE		ENG. REL. NO.		
2 DECIMAL PLACES	± 0.50	REF.		DWG. NO.
3 DECIMAL PLACES				P-FLA-2N-01BP
ANGULAR DEGREES		THIRD ANGLE PROJECTION	DO NOT SCALE DRAWING	REV D
		CODE ID NO.	03554	DWG SIZE: X
		SCALE:	2:1	SHEET 1 OF 1

THIS DOCUMENT CONTAINS PROPRIETARY INFORMATION AND SUCH INFORMATION MAY NOT BE DISCLOSED TO OTHERS FOR ANY PURPOSE OR USED FOR MANUFACTURING PURPOSES WITHOUT WRITTEN PERMISSION FROM AMPHENOL CANADA CORP.