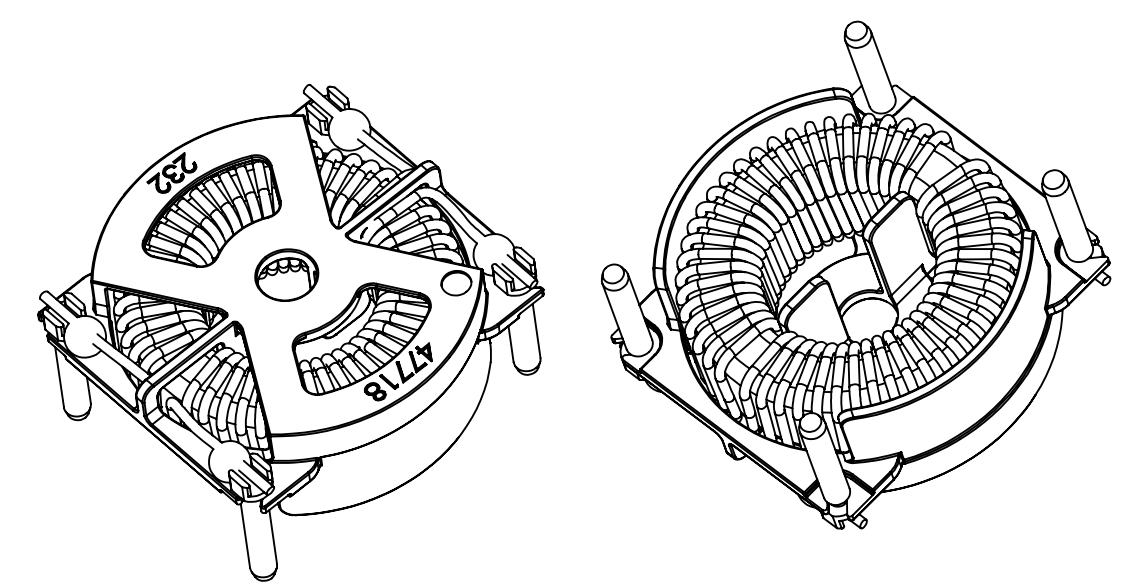
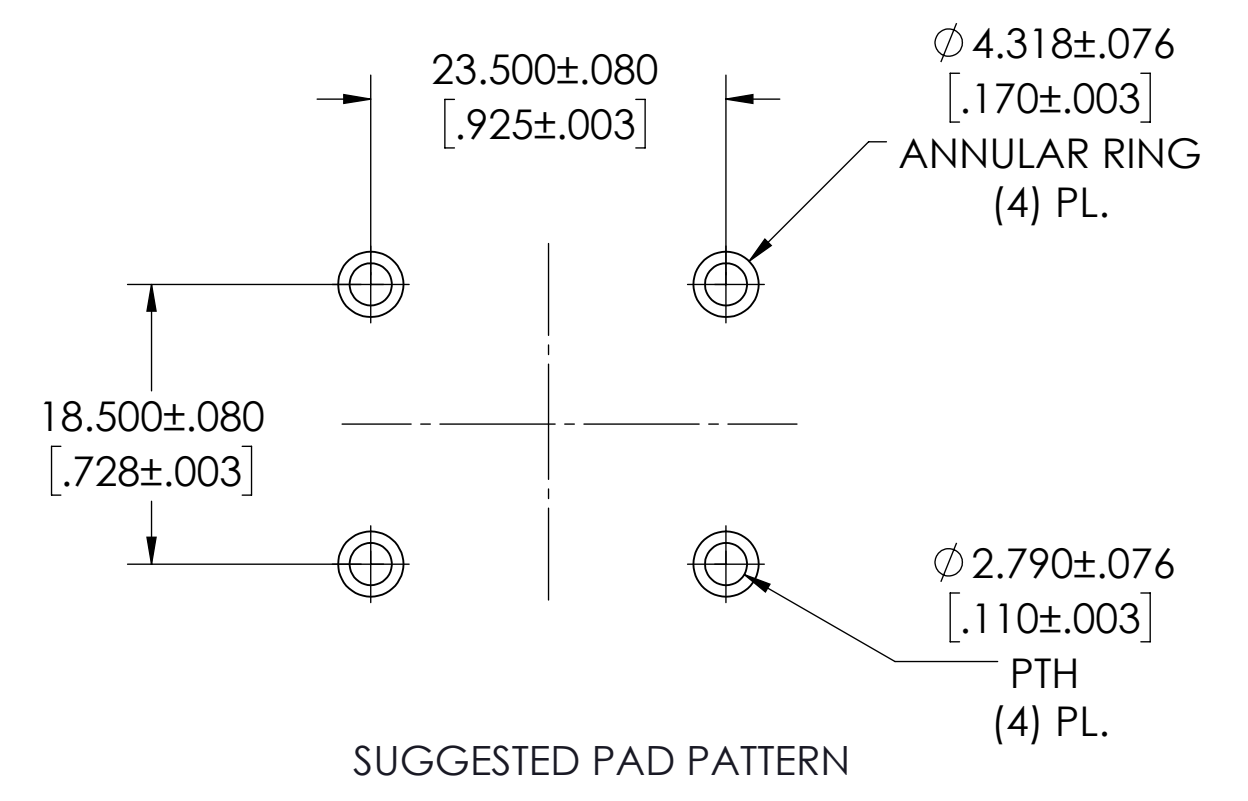
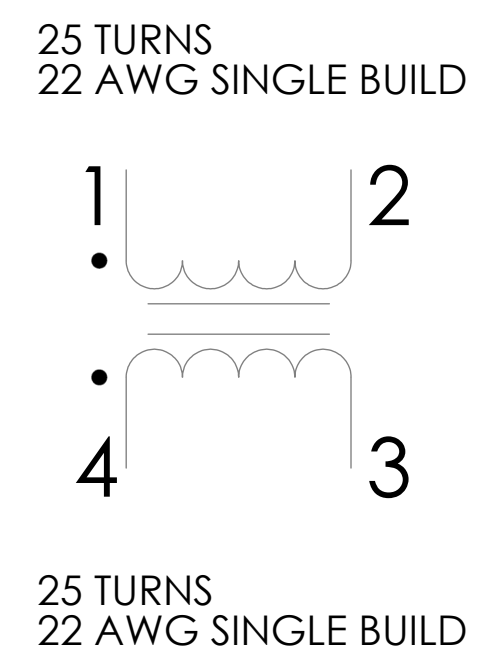
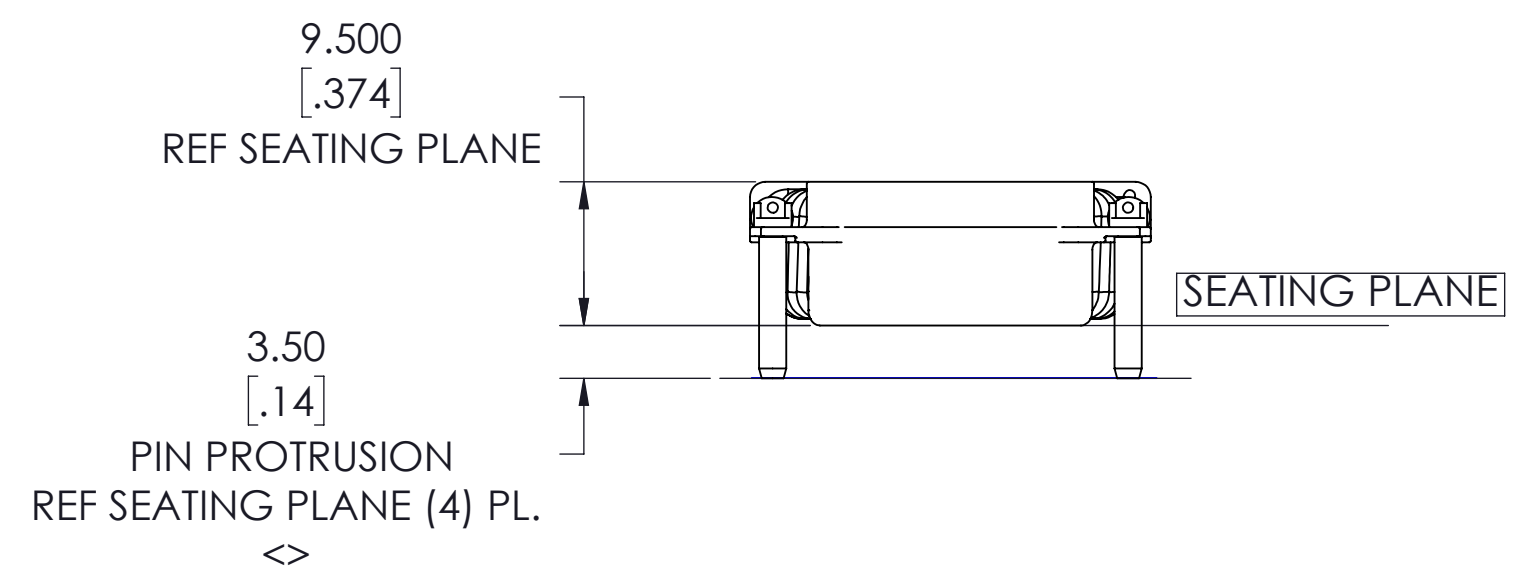
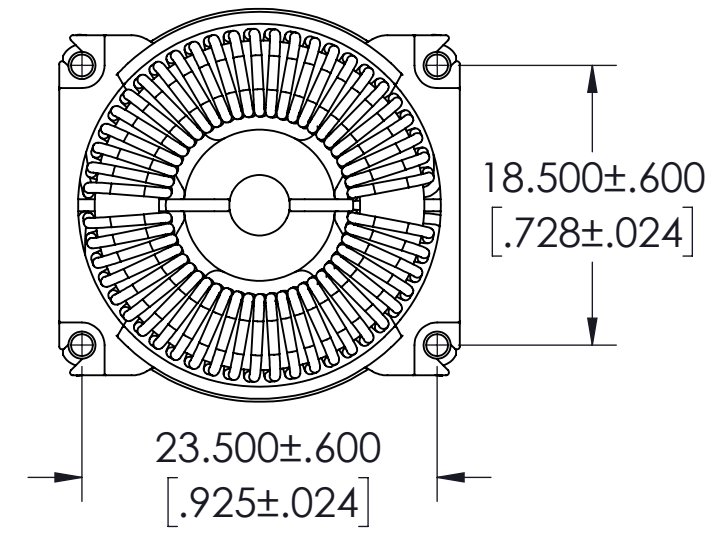
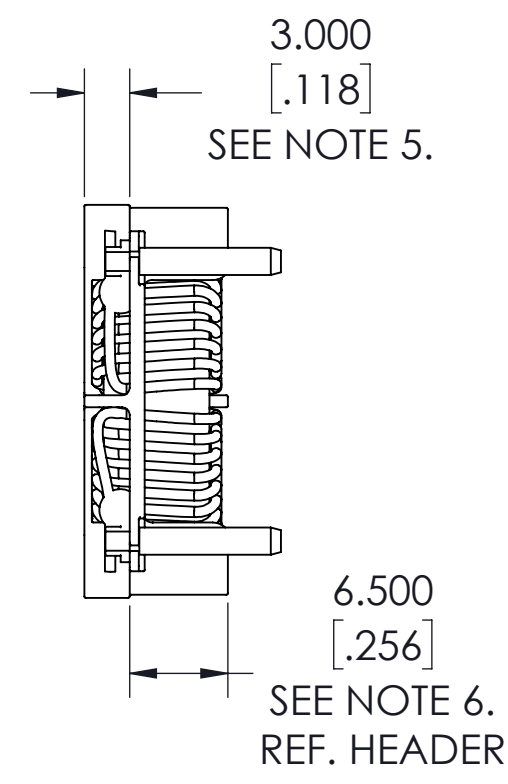
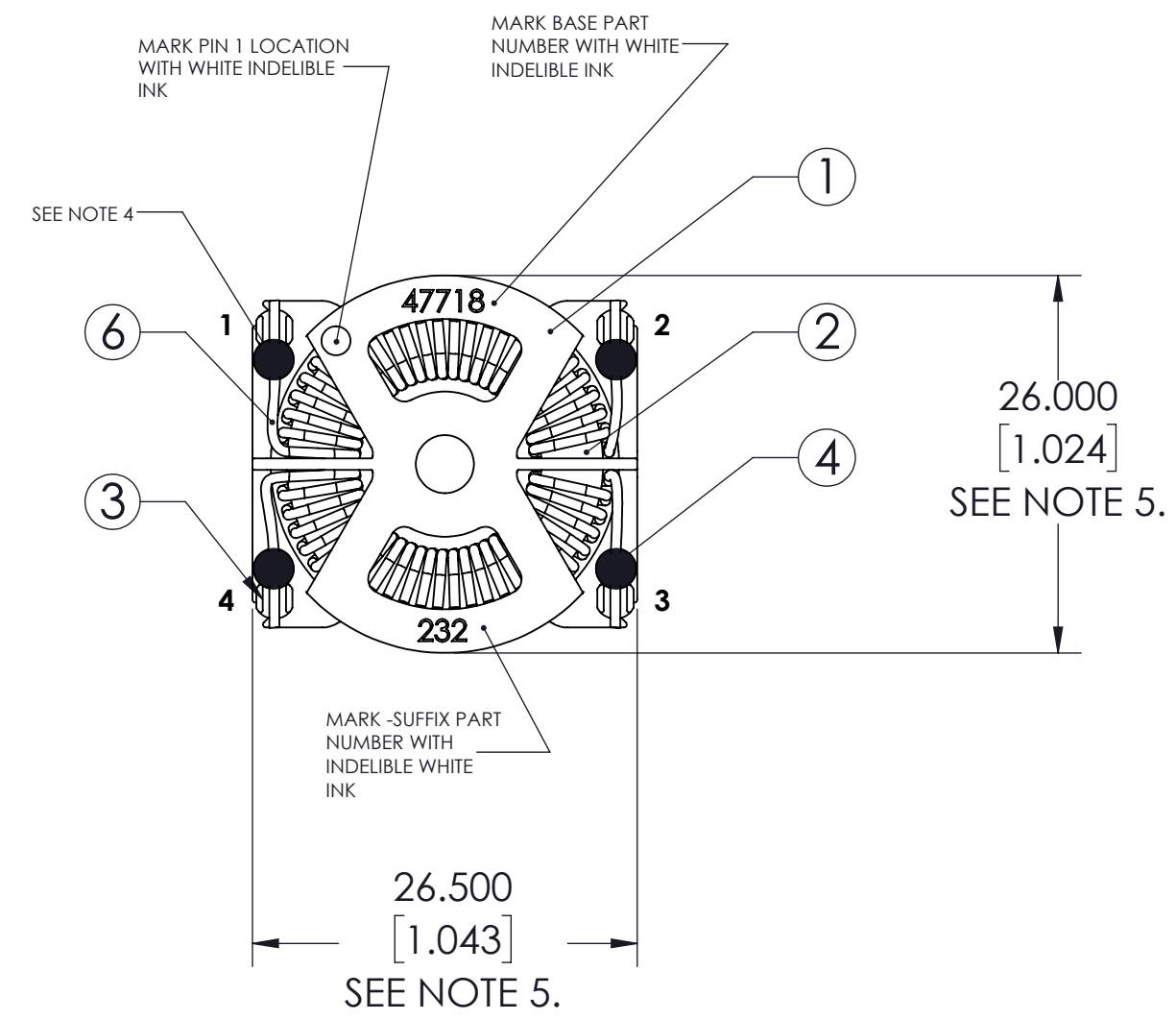


VICOR CONFIDENTIAL
 THIS DOCUMENT AND THE DATA DISCLOSED HEREIN OR HEREWITH IS NOT TO BE REPRODUCED, USED OR DISCLOSED IN WHOLE OR IN PART TO ANYONE WITHOUT THE PERMISSION OF VICOR CORP.

| REV. | DESCRIPTION | INTL | DATE | APVD |
|------|----------------------|------|----------|------|
| 1 | RELEASE PER E190507A | GCK | 10/16/19 | VD |



- NOTES:
- <> WIRE: SINGLE BUILD. UL R/C (OBMW2) MW77C CLASS H 180 °C<>
 - <> WINDINGS ARE SINGLE LAYER, NO OVERLAP ALLOWED
 - <> STRIP AND SOLDER WIRES TO TERMINALS USING Sn95/Sb5 SOLDER
 - <> DISPENSE EPOXY (BOM POSITION 4) AND ENSURE WIRES AND PINS (BOM POSITIONS 6,3) ARE BONDED TO HEADER (BOM POSITION 1)
 - <> SOLDER, EPOXY, WIRES SHALL NOT EXTEND BEYOND HEADER
 - <> WINDINGS SHALL NOT EXTEND BEYOND HEADER
 - <> DENOTES A CRITICAL CHARACTERISTIC AND SHALL BE INSPECTED FOR EVERY LOT
 - RoHS COMPLIANT AND LEAD FREE PER CST-0001 LATEST REVISION

| VICOR P/N | INDUCTANCE @ 10 KHz 50 mV | IMPEDANCE @ 1 MHz 50 mV | DCR MAX PER WINDING | RATED CURRENT |
|-----------|------------------------------|----------------------------|------------------------|------------------|
| 47718-232 | 2.26 mH ±25% | 7.0 kΩ MIN | 40 mΩ | 8.0 A |

| | | | | |
|------------------------------------------------------------------------------------------------------|--------------------|-------------------------------------------------|---------------------------|------------------------|
| DRAWN BY Carlos Yero | DATE 03/13/2017 | VICOR SWD | | |
| UNLESS OTHERWISE SPECIFIED DIMENSIONS ARE MM (INCH) | | INDUCTOR TOROIDAL CM DUAL WINDING TH | | |
| TOLERANCES ARE: DECIMALS ANGLES X.XX [X.X] = ±0.25 [0.01] ±1° X.XXX [X.XX] = ±0.127 [0.005] | | SIZE C | CAGE CODE 67131 | DWG NO 47717 |
| THIRD ANGLE PROJECTION | | SCALE 2:1 | REV 1 | SHEET 1 OF 1 |