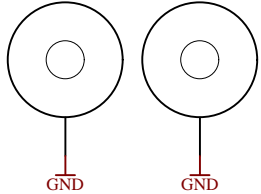
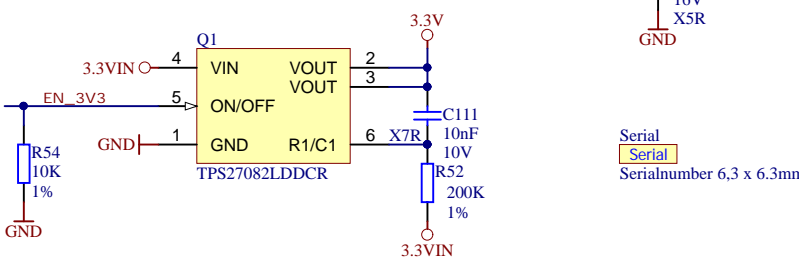
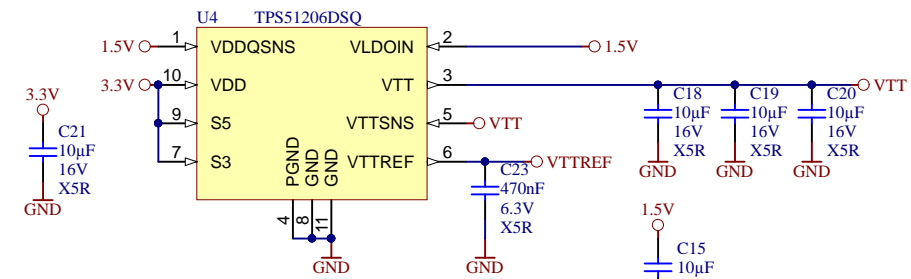
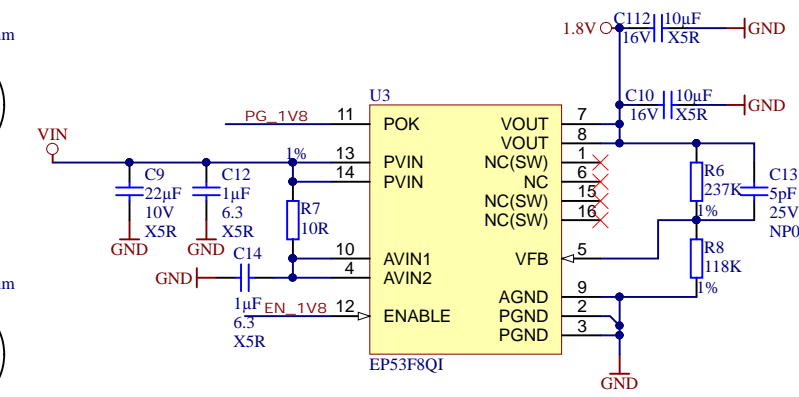
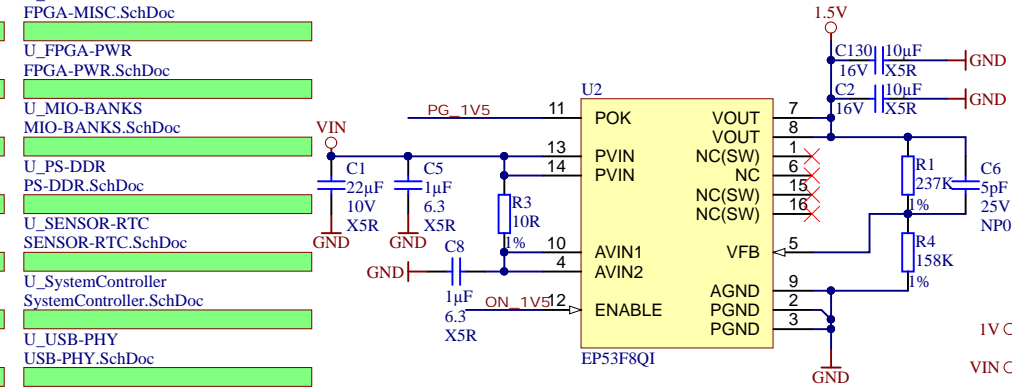
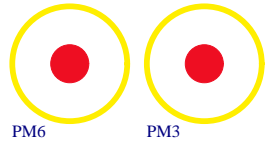
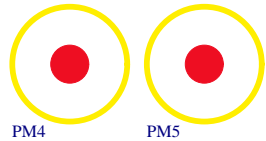
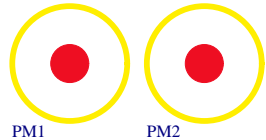
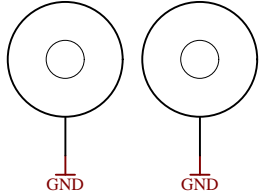


U_B2B-Connectors B2B-Connectors.SchDoc	U_FPGA-MISC FPGA-MISC.SchDoc
U_B13 B13.SchDoc	U_FPGA-PWR FPGA-PWR.SchDoc
U_B33-B34 B33-B34.SchDoc	U_MIO-BANKS MIO-BANKS.SchDoc
U_B35 B35.SchDoc	U_PS-DDR PS-DDR.SchDoc
U_DDR3-RAM DDR3-RAM.SchDoc	U_SENSOR-RTC SENSOR-RTC.SchDoc
U_eMMC eMMC.SchDoc	U_SystemController SystemController.SchDoc
U_ETH-PHY ETH-PHY.SchDoc	U_USB-PHY USB-PHY.SchDoc

Mount.Hole 3.2mm Mount.Hole 3.2mm

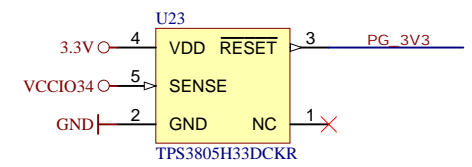
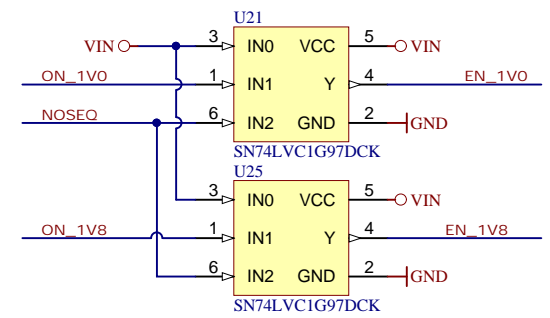
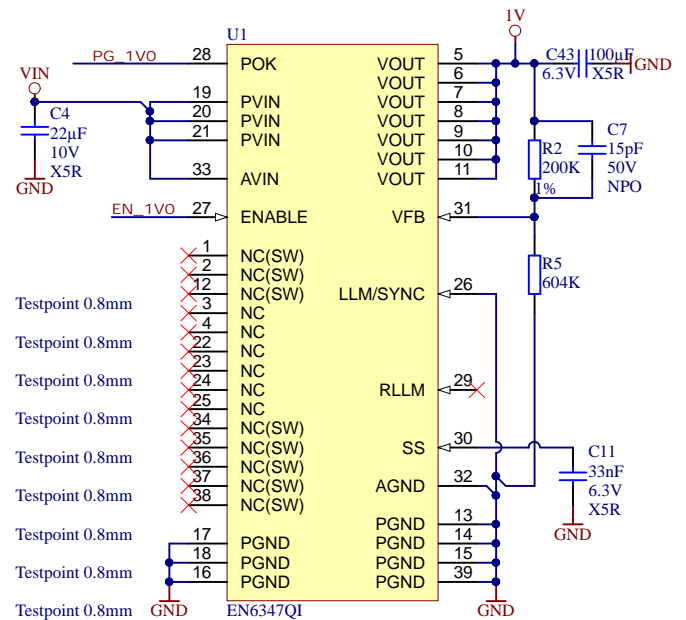


Mount.Hole 3.2mm Mount.Hole 3.2mm

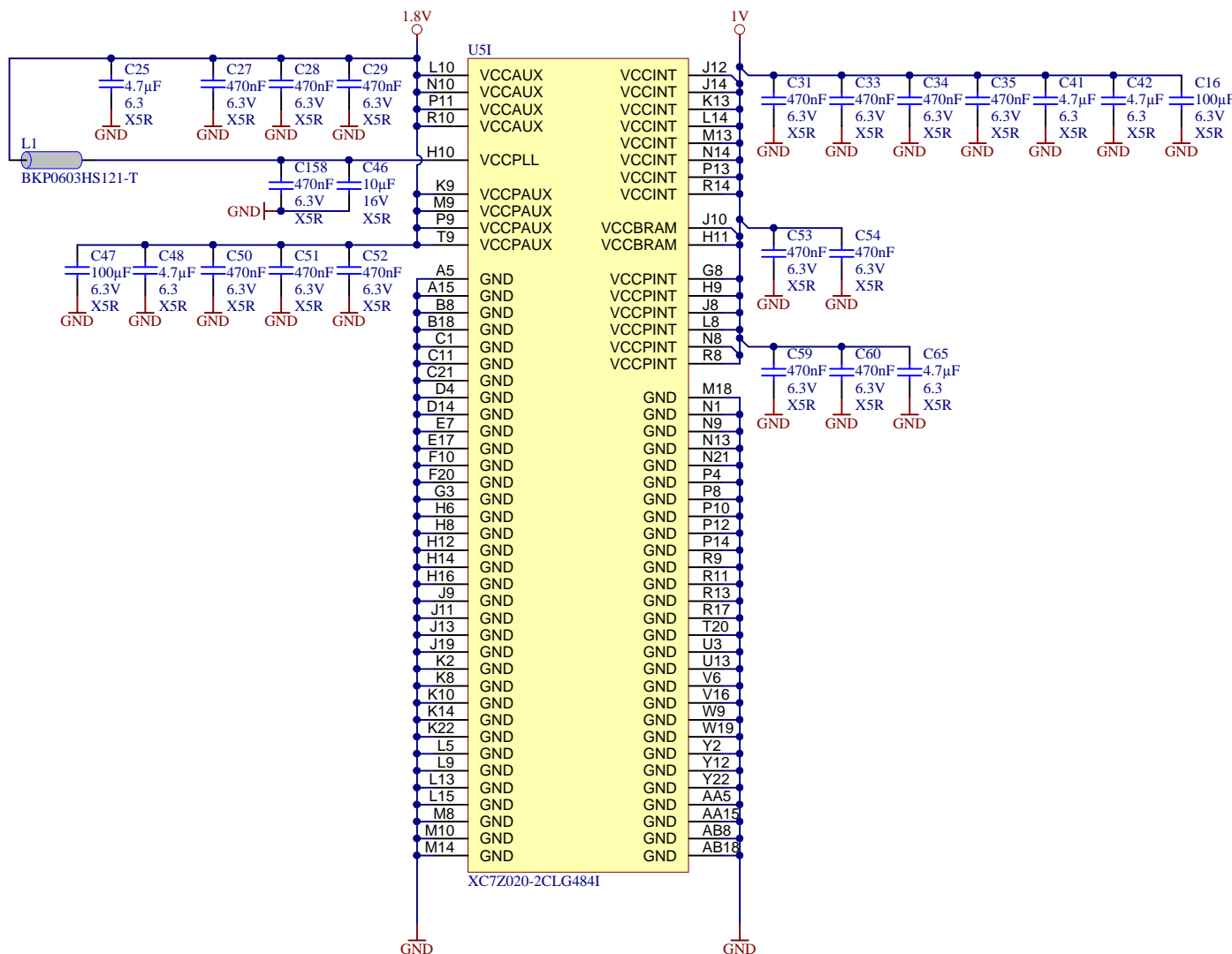



Serial
Serial
Serialnumber 6,3 x 6,3mm

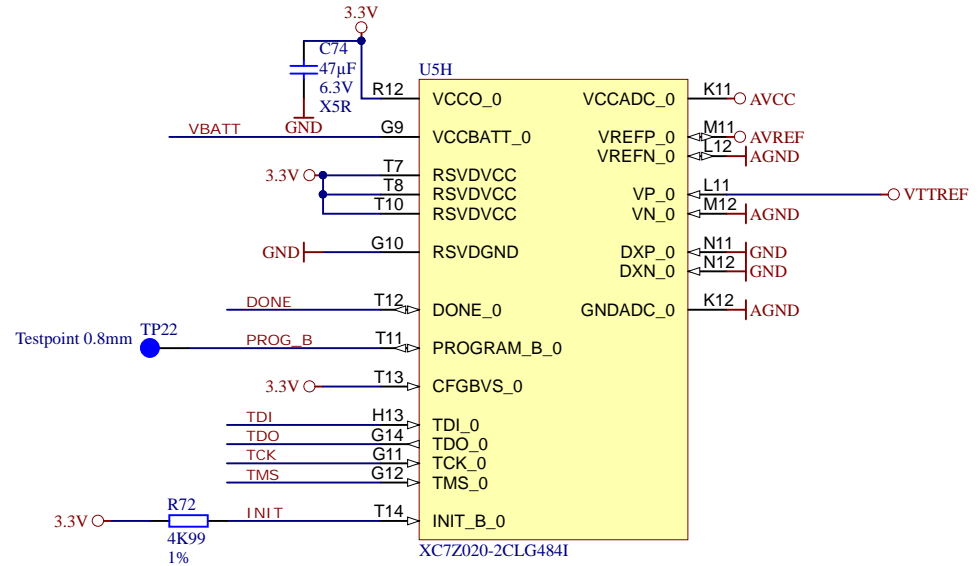
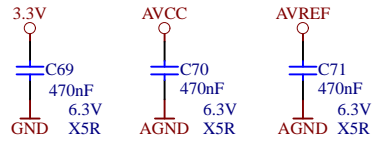
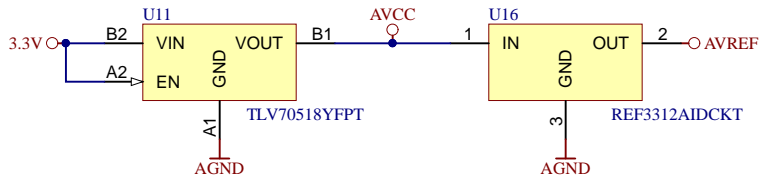
- 1V ○ TP1 Testpoint 0.8mm
- VIN ○ TP2 Testpoint 0.8mm
- 1.5V ○ TP3 Testpoint 0.8mm
- 1.8V ○ TP4 Testpoint 0.8mm
- VTT ○ TP5 Testpoint 0.8mm
- VTTREF ○ TP6 Testpoint 0.8mm
- 3.3V IN ○ TP7 Testpoint 0.8mm
- VCCIO13 ○ TP9 Testpoint 0.8mm
- VCCIO33 ○ TP10 Testpoint 0.8mm
- VCCIO34 ○ TP11 Testpoint 0.8mm
- VCCIO35 ○ TP12 Testpoint 0.8mm
- AVCC ○ TP13 Testpoint 0.8mm
- AVREF ○ TP14 Testpoint 0.8mm
- AGND ○ TP15 Testpoint 0.8mm
- GND ○ TP16 Testpoint 0.8mm
- GND ○ TP17 Testpoint 0.8mm
- GND ○ TP18 Testpoint 0.8mm
- GND ○ TP19 Testpoint 0.8mm
- GND ○ TP20 Testpoint 0.8mm



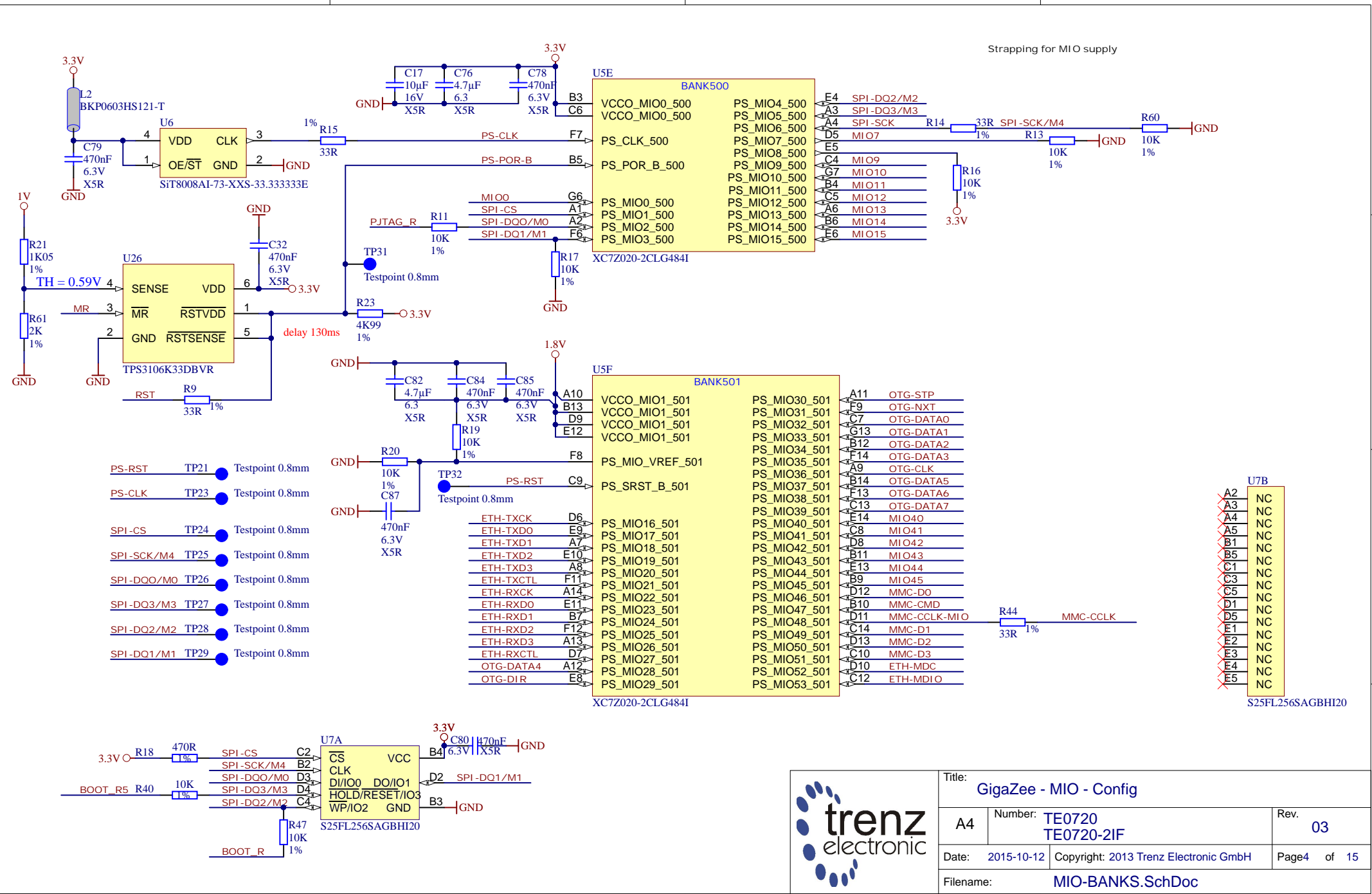
Title: GigaZee - Power		
A4	Number: TE0720 TE0720-2IF	Rev. 03
Date: 2015-10-12	Copyright: 2013 Trenz Electronic GmbH	Page1 of 15
Filename: TE0720.SchDoc		



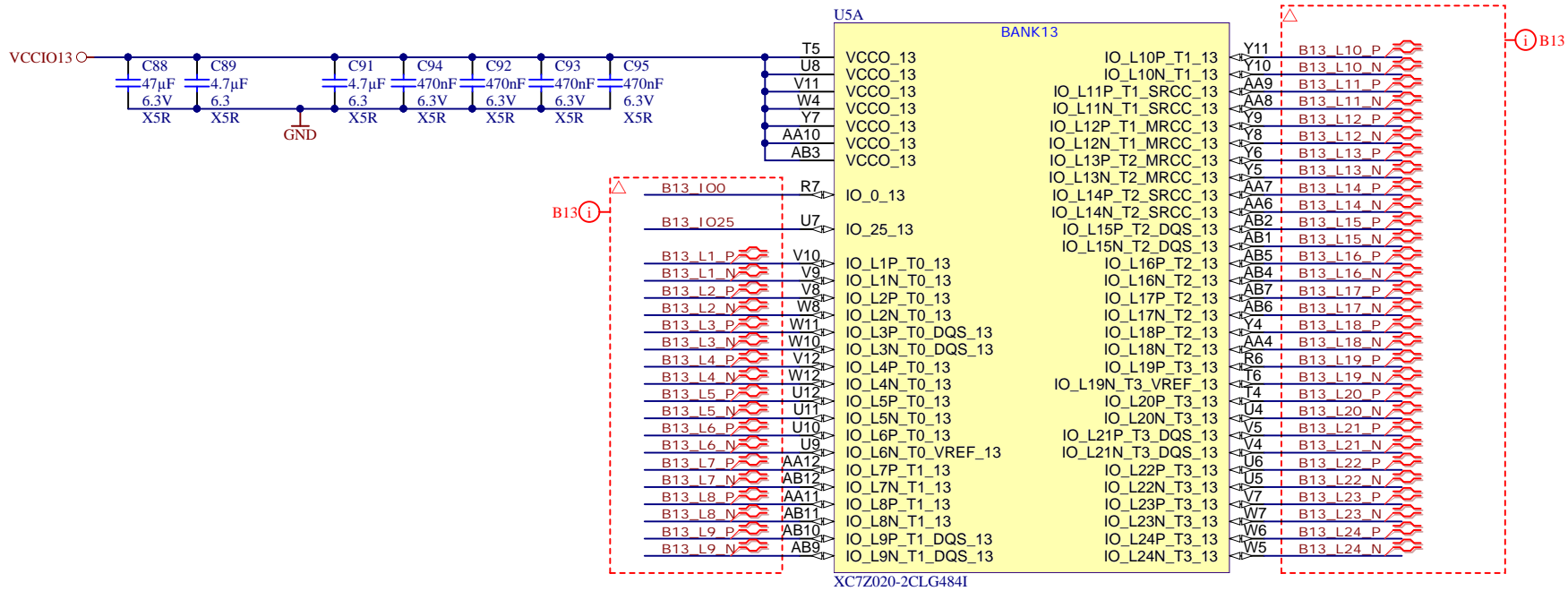
	Title: GigaZee - FPGA Power		
	A4	Number: TE0720 TE0720-2IF	Rev. 03
	Date: 2015-10-12	Copyright: 2013 Trenz Electronic GmbH	Page2 of 15
	Filename: FPGA-PWR.SchDoc		



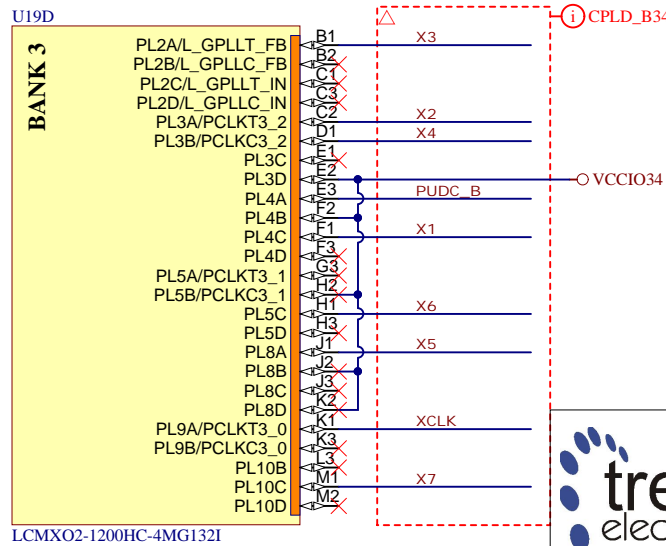
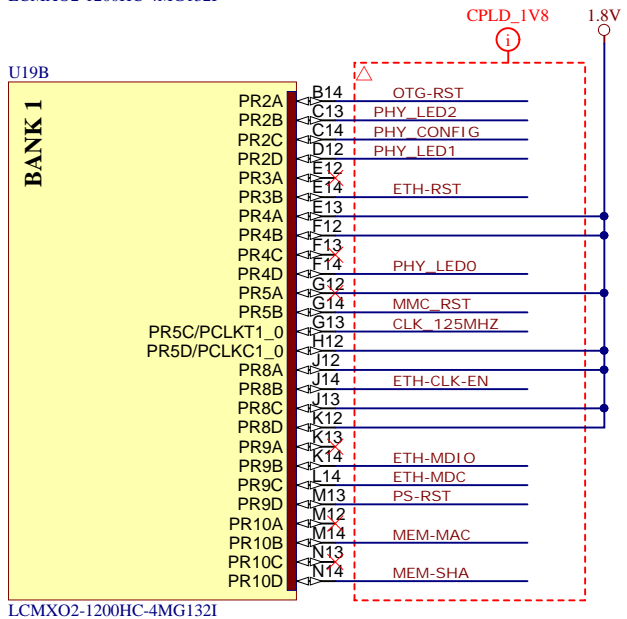
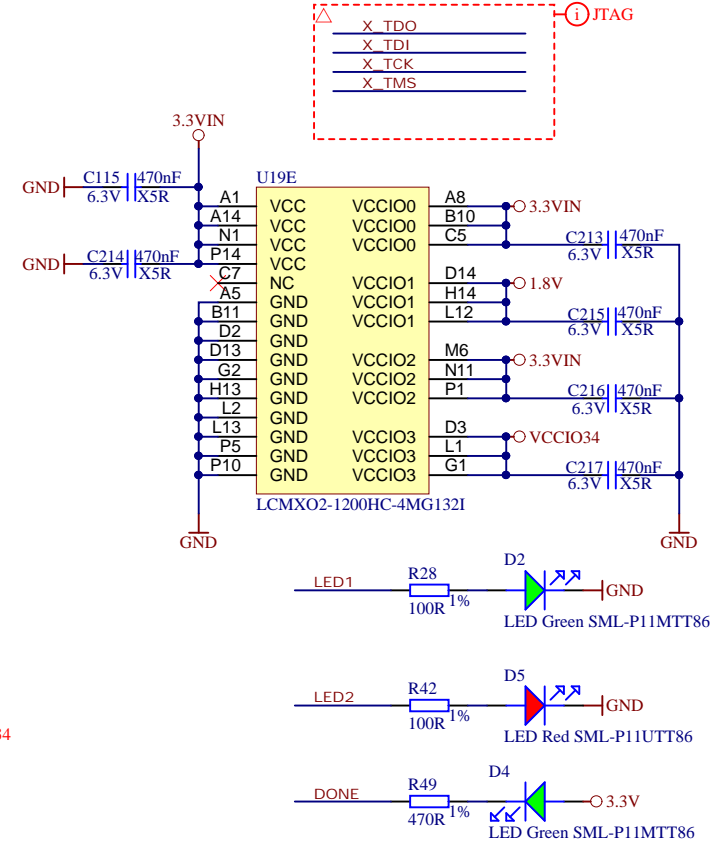
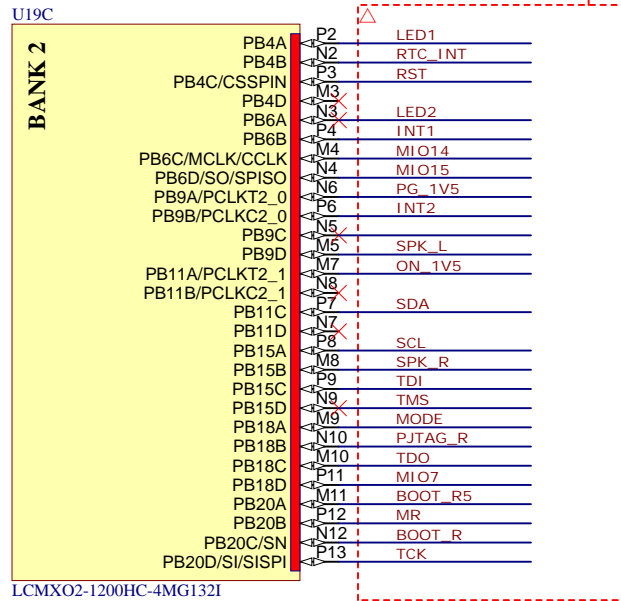
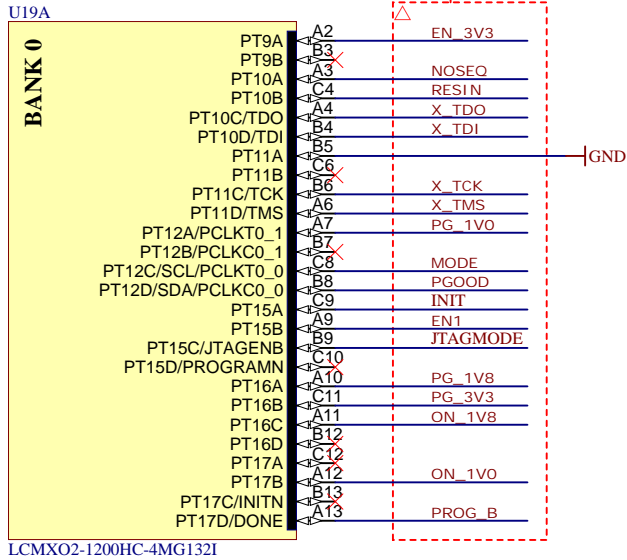
	Title: GigaZee - B0		
	A4	Number: TE0720 TE0720-2IF	Rev. 03
	Date: 2015-10-12	Copyright: 2013 Trenz Electronic GmbH	Page 3 of 15
	Filename: FPGA-MISC.SchDoc		



Title: GigaZee - MIO - Config		
A4	Number: TE0720 TE0720-2IF	Rev. 03
Date: 2015-10-12	Copyright: 2013 Trenz Electronic GmbH	Page4 of 15
Filename: MIO-BANKS.SchDoc		



Title: GigaZee - B13		
A4	Number: TE0720 TE0720-2IF	Rev. 03
Date: 2015-10-12	Copyright: 2013 Trenz Electronic GmbH	Page 5 of 15
Filename: B13.SchDoc		



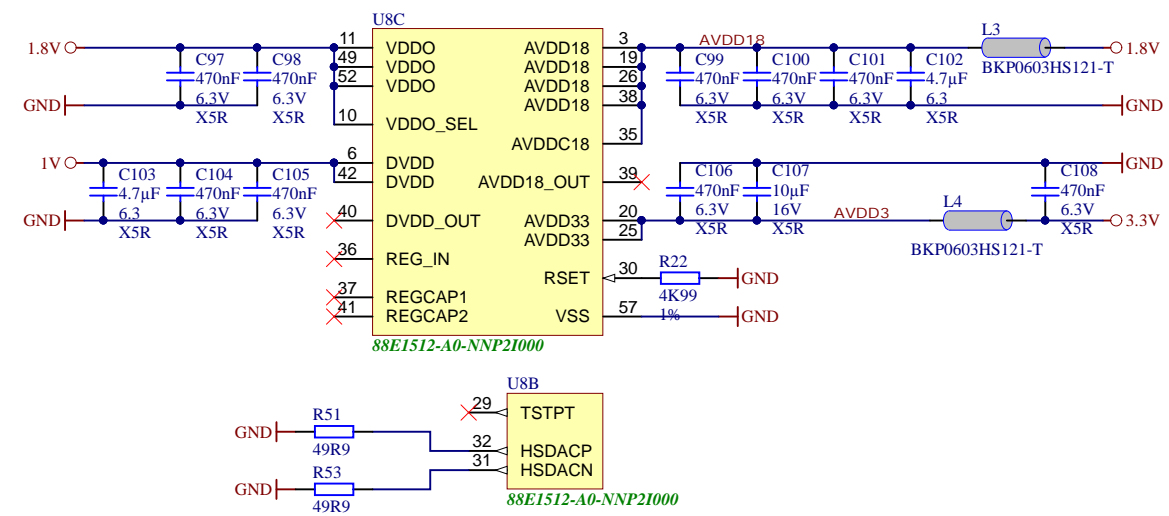
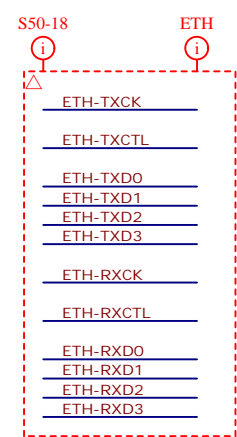
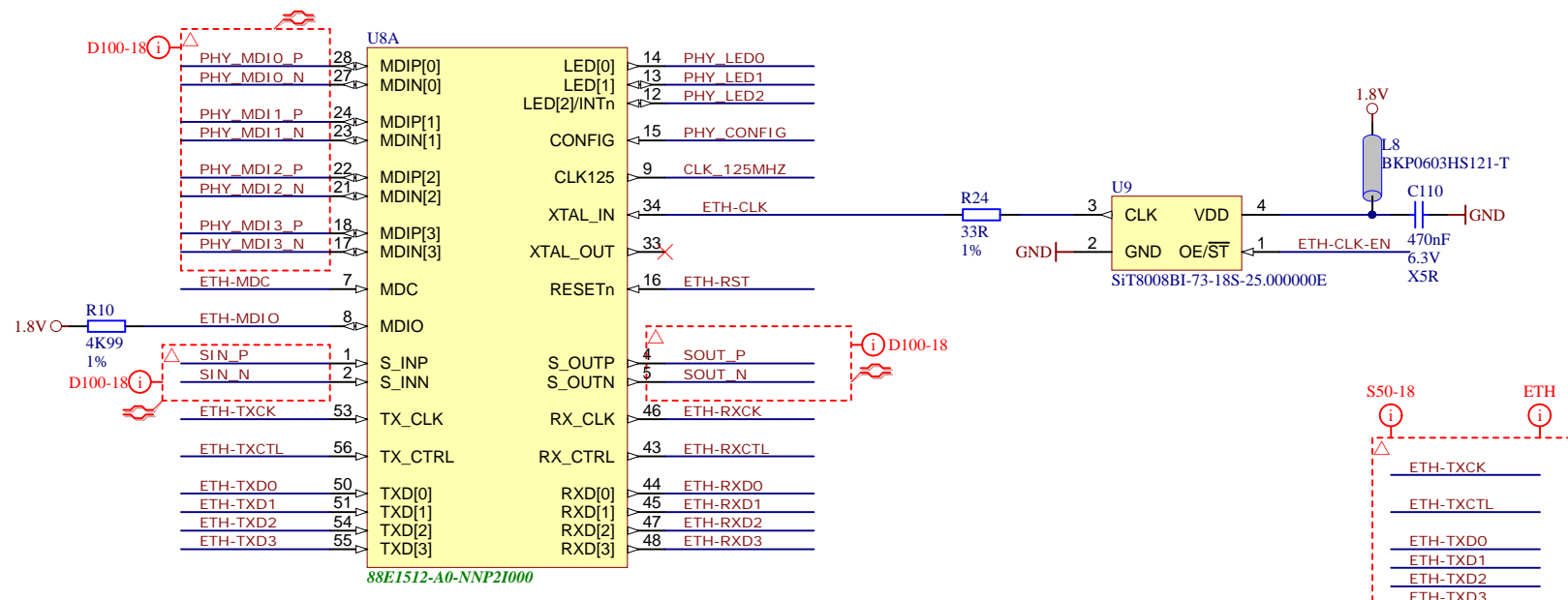

Title: GigaZee - System Controller		
A4	Number: TE0720 TE0720-2IF	Rev. 03
Date: 2015-10-12	Copyright: 2013 Trenz Electronic GmbH	Page6 of 15
Filename: SystemController.SchDoc		

A

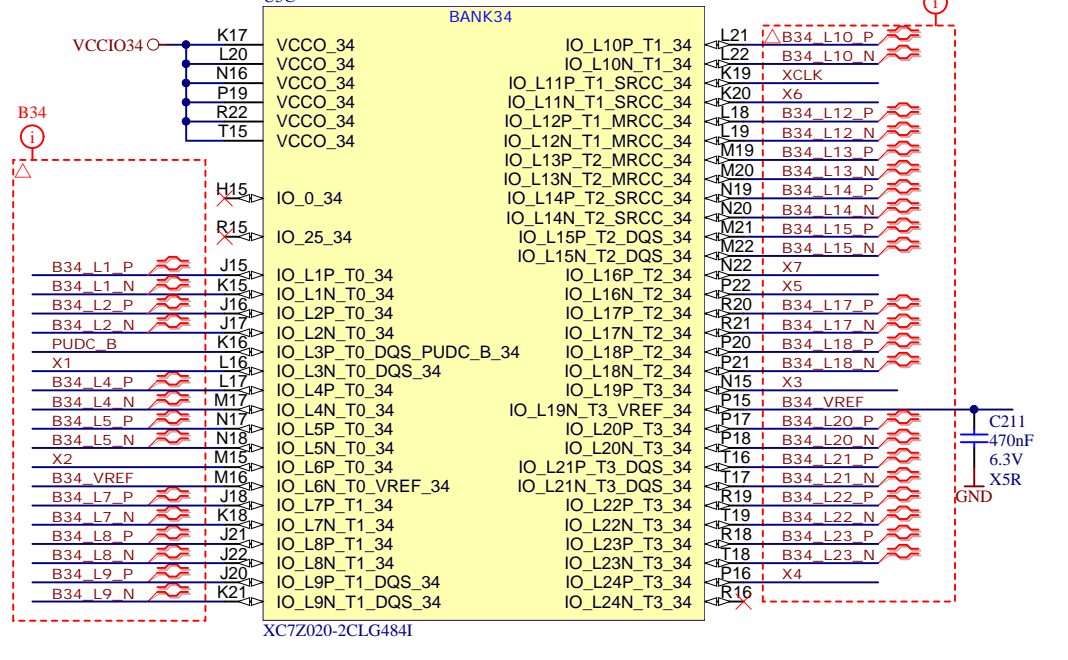
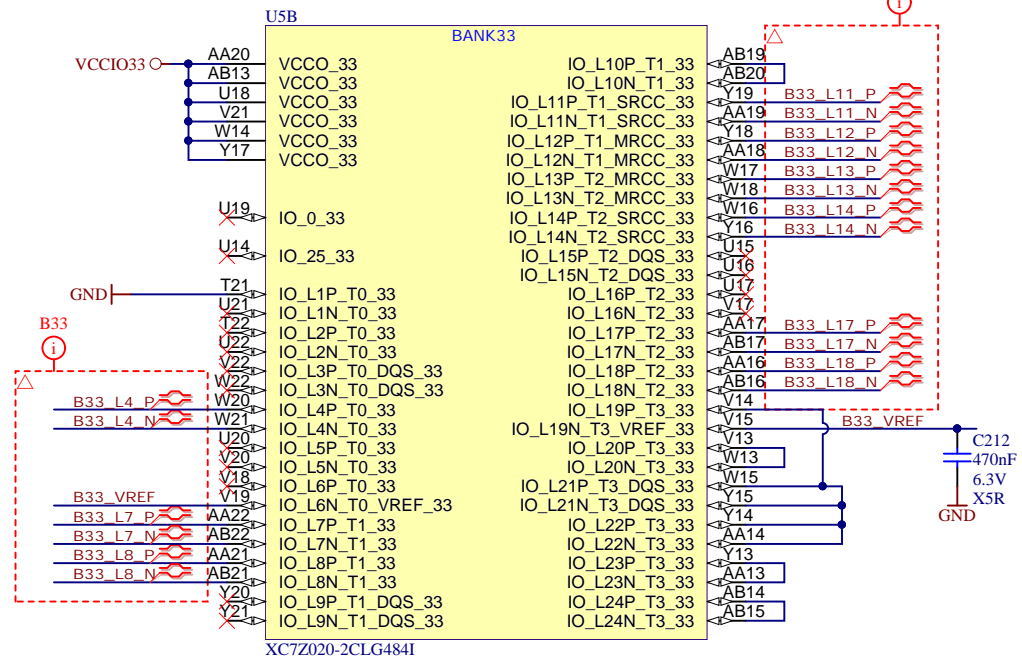
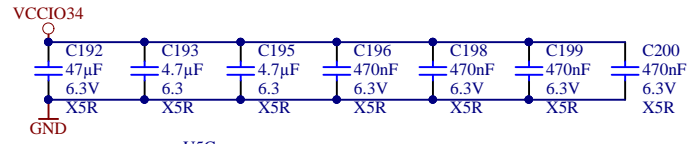
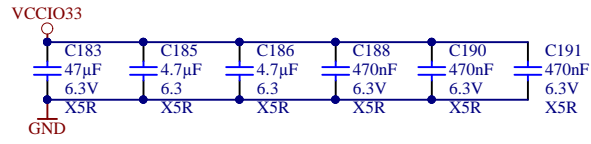
B

C

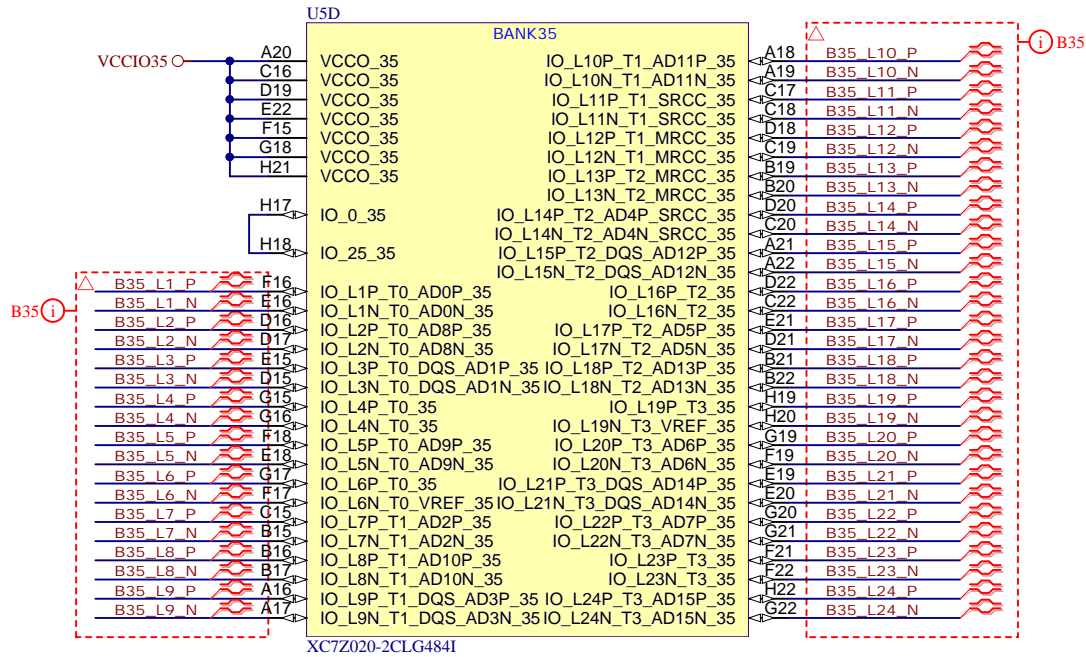
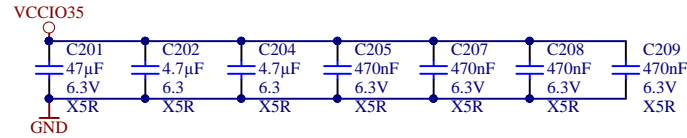
D

Title: GigaZee - Ethernet		
A4	Number: TE0720 TE0720-2IF	Rev. 03
Date: 2015-10-12	Copyright: 2013 Trenz Electronic GmbH	Page 7 of 15
Filename: ETH-PHY.SchDoc		



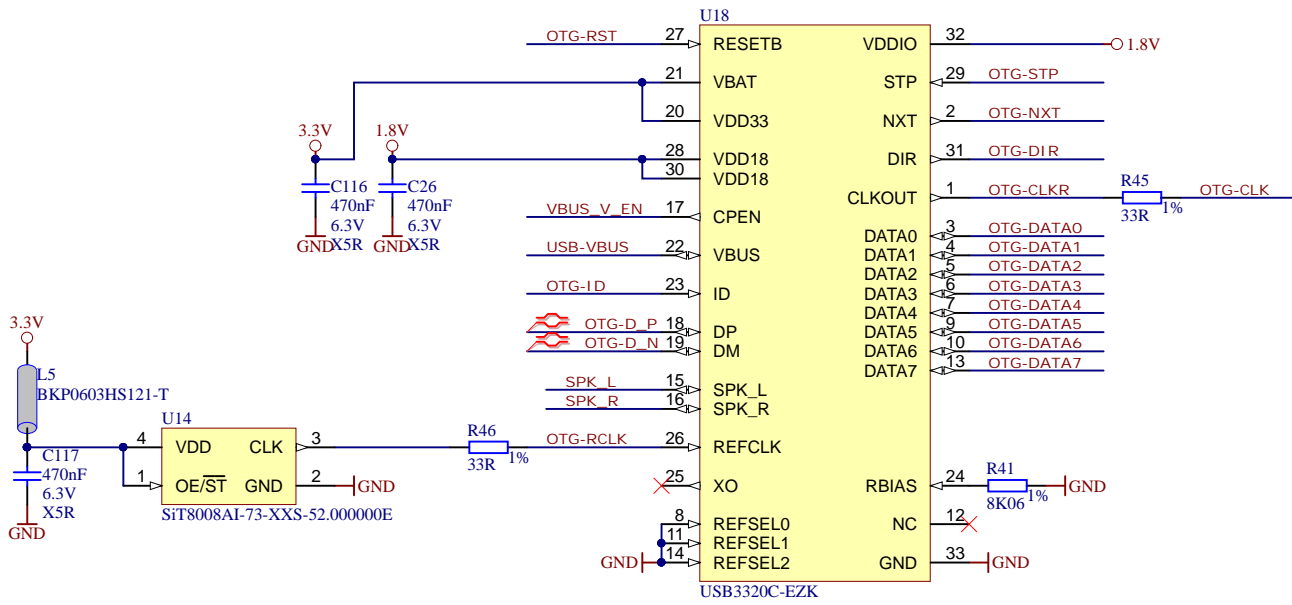
Title: GigaZee - B33 - B34			
A4	Number: TE0720 TE0720-2IF	Rev. 03	
Date: 2015-10-12	Copyright: 2013 Trenz Electronic GmbH	Page8 of 15	
Filename: B33-B34.SchDoc			



XC7Z020-2CLG484I



Title: GigaZee - B35		
A4	Number: TE0720 TE0720-2IF	Rev. 03
Date: 2015-10-12	Copyright: 2013 Trenz Electronic GmbH	Page9 of 15
Filename: B35.SchDoc		

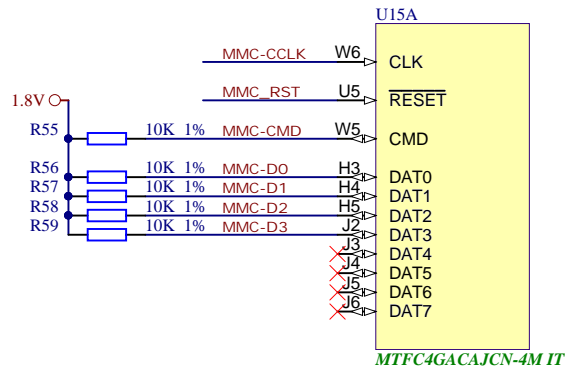


	Title: GigaZee - USB		
	A4	Number: TE0720 TE0720-2IF	Rev. 03
	Date: 2015-10-12	Copyright: 2013 Trenz Electronic GmbH	Page 10 of 15
	Filename: USB-PHY.SchDoc		

U15D

A4	NC	NC	R2
A6	NC	NC	R3
A9	NC	NC	R12
A11	NC	NC	R13
B2	NC	NC	R14
B13	NC	NC	T1
D1	NC	NC	T2
D14	NC	NC	T3
H1	NC	NC	T12
H2	NC	NC	T13
H8	NC	NC	T14
H9	NC	NC	U1
H10	NC	NC	U2
H11	NC	NC	U3
H12	NC	NC	U12
H13	NC	NC	U13
H14	NC	NC	U14
J1	NC	NC	V1
J7	NC	NC	V2
J8	NC	NC	V3
J9	NC	NC	V12
J10	NC	NC	V13
J11	NC	NC	V14
J12	NC	NC	W1
J13	NC	NC	W2
J14	NC	NC	W3
K1	NC	NC	W7
K3	NC	NC	W8
K7	NC	NC	W9
K8	NC	NC	W10
K9	NC	NC	W11
K10	NC	NC	W12
K11	NC	NC	W13
K12	NC	NC	W14
K13	NC	NC	Y1
K14	NC	NC	Y3
L1	NC	NC	Y6
L2	NC	NC	Y7
L3	NC	NC	Y8
L4	NC	NC	Y9
L12	NC	NC	Y10
L13	NC	NC	Y11
L14	NC	NC	Y12
M1	NC	NC	Y13
M2	NC	NC	Y14
M3	NC	NC	AA1
M12	NC	NC	AA2
M13	NC	NC	AA8
M14	NC	NC	AA9
N1	NC	NC	AA11
N2	NC	NC	AA12
N3	NC	NC	AA13
N12	NC	NC	AA14
N13	NC	NC	AE1
N14	NC	NC	AE14
P1	NC	NC	AG2
P2	NC	NC	AG13
P12	NC	NC	AH4
P13	NC	NC	AH6
P14	NC	NC	AH9
R1	NC	NC	AH11

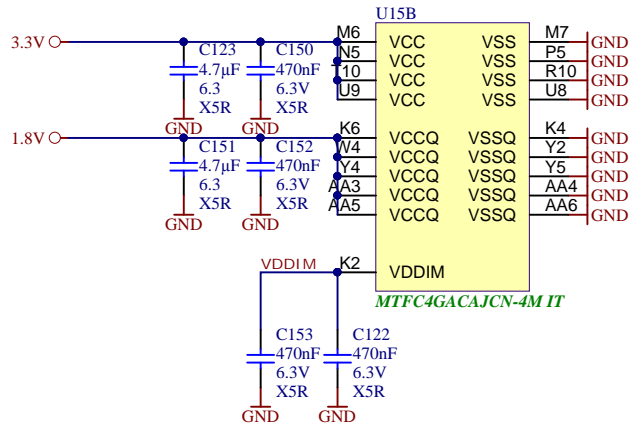
MTFC4GACAJCN-4M IT



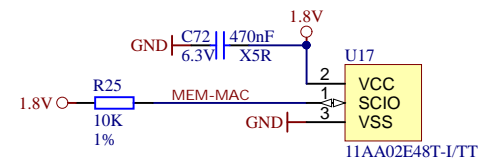
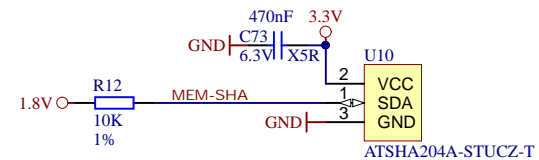
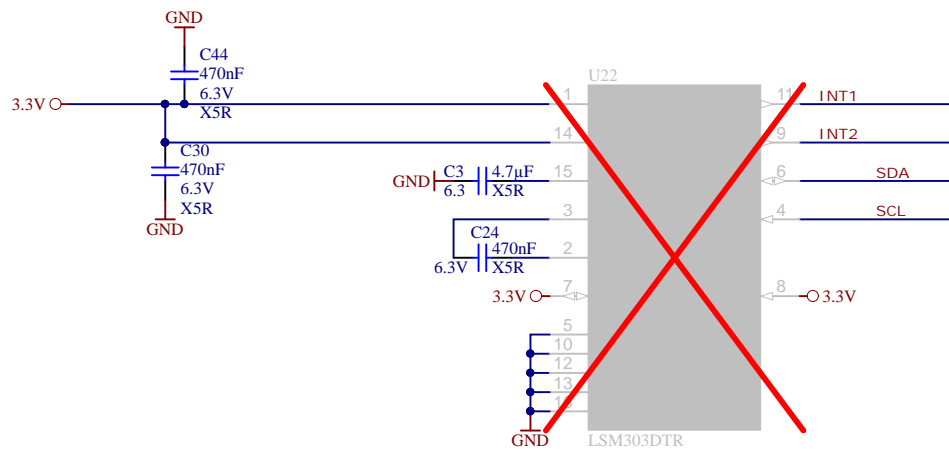
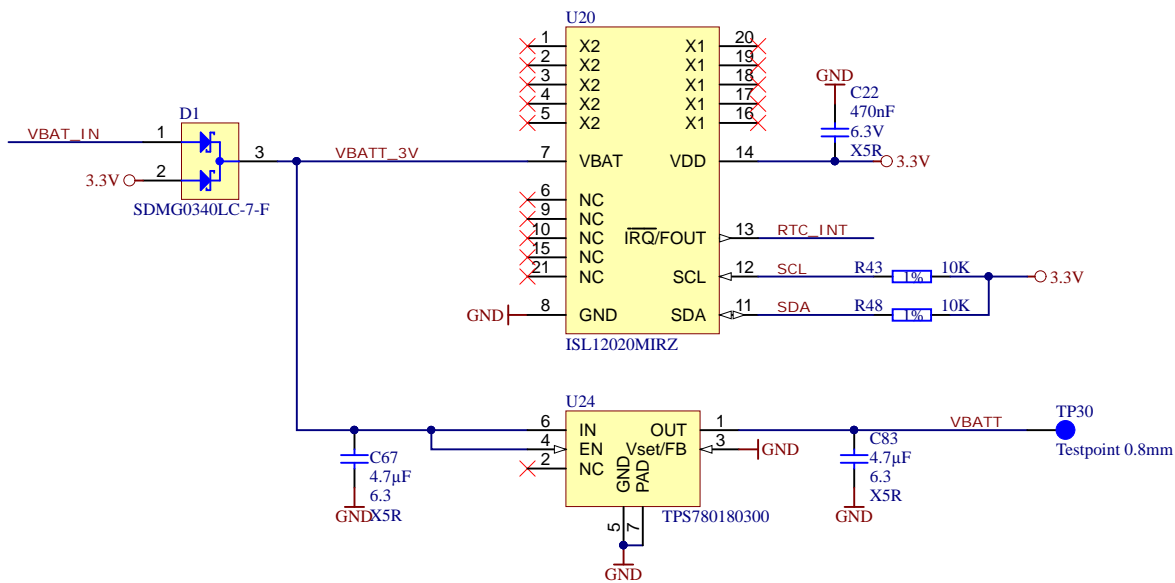
U15C

H6	RFU
H7	RFU
K5	RFU
M5	RFU
M8	RFU
M9	RFU
M10	RFU
N10	RFU
P3	RFU
P10	RFU
R5	RFU
T5	RFU
U6	RFU
U7	RFU
U10	RFU
AA7	RFU
AA10	RFU

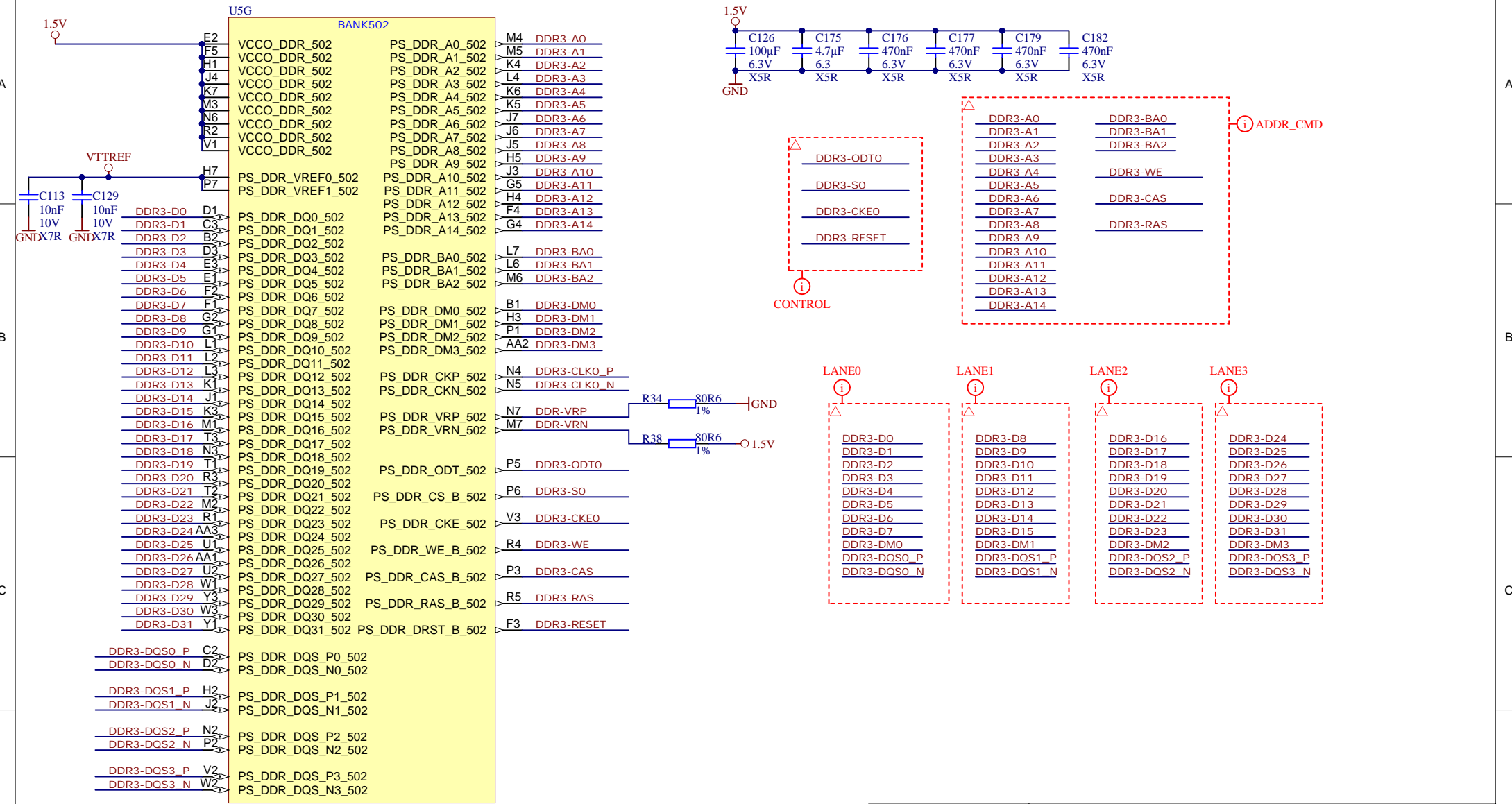
MTFC4GACAJCN-4M IT



Title: GigaZee - eNAND		
A4	Number: TE0720 TE0720-2IF	Rev. 03
Date: 2015-10-12	Copyright: 2013 Trenz Electronic GmbH	Page 11 of 15
Filename: eMMC.SchDoc		



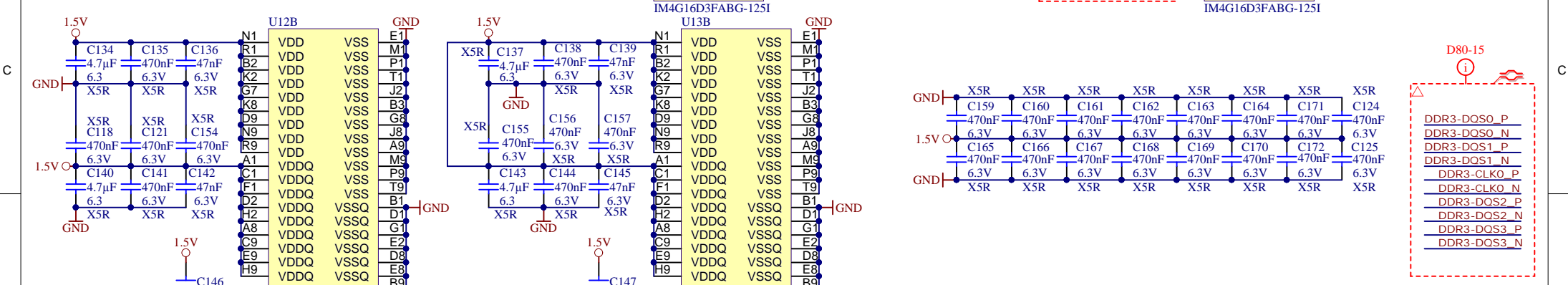
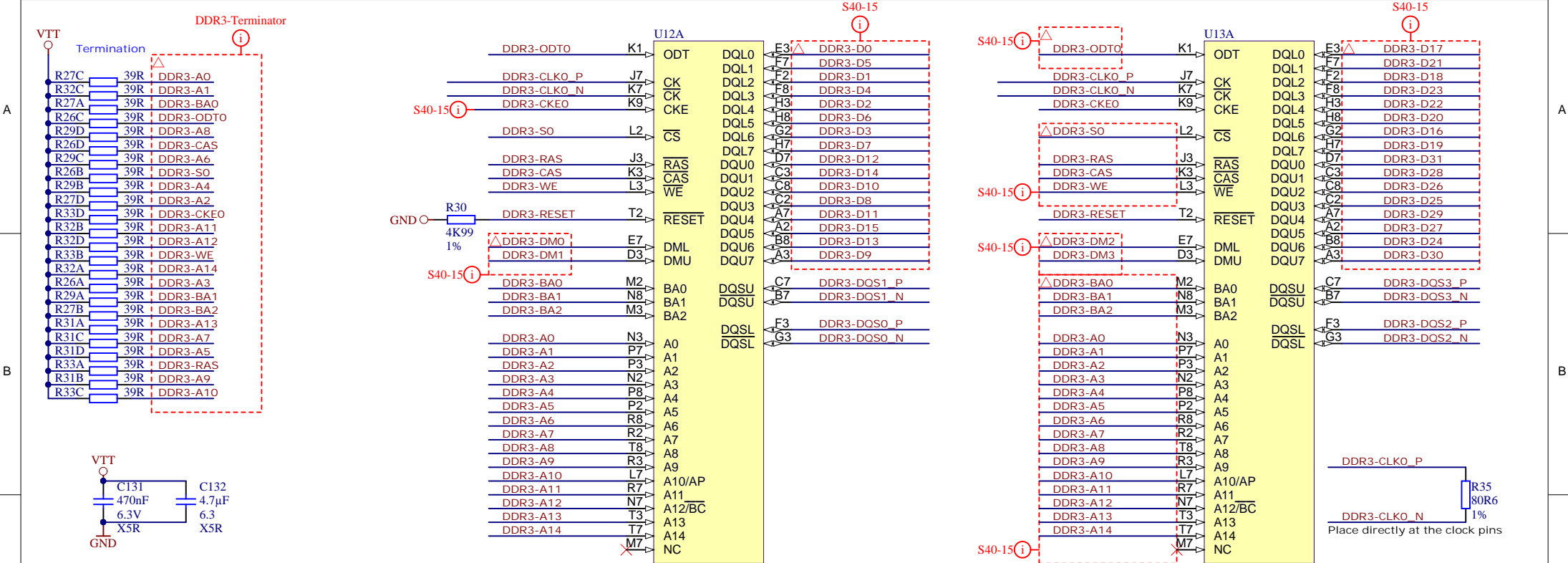
Title: GigaZee - RTC, MEMS, SHA, MAC		
A4	Number: TE0720 TE0720-2IF	Rev. 03
Date: 2015-10-12	Copyright: 2013 Trenz Electronic GmbH	Page 12 of 15
Filename: SENSOR-RTC.SchDoc		



XC7Z020-2CLG4841



Title: GigaZee - B502		
A4	Number: TE0720 TE0720-2IF	Rev. 03
Date: 2015-10-12	Copyright: 2013 Trenz Electronic GmbH	Page 13 of 15
Filename: PS-DDR.SchDoc		



Title: GigaZee - DDR3

A4	Number: TE0720 TE0720-2IF	Rev. 03
Date: 2015-10-12	Copyright: 2013 Trenz Electronic GmbH	
Filename: DDR3-RAM.SchDoc		Page 14 of 15

A

B

C

D

A

B

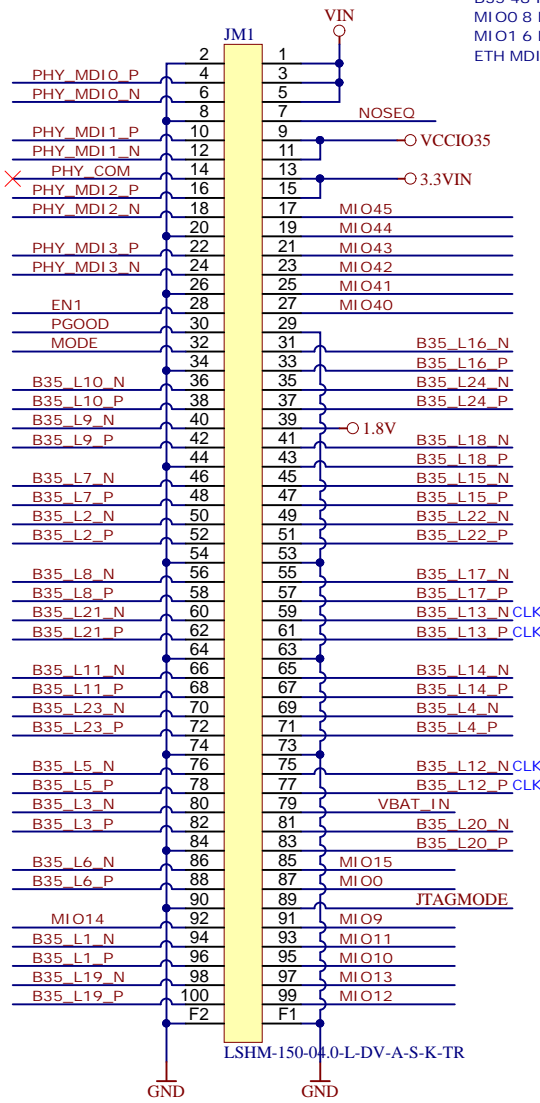
C

D

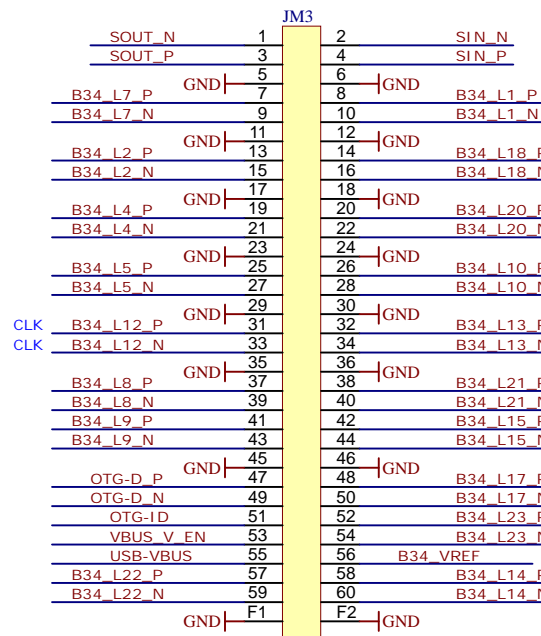
B35 48 IO, 24 LVDS Pairs
MIO0 8 IO, 3.3V
MIO1 6 IO 1.8V
ETH MDI Copper

B34 36 IO, 18 LVDS Pairs
USB OTG
ETH SGMII

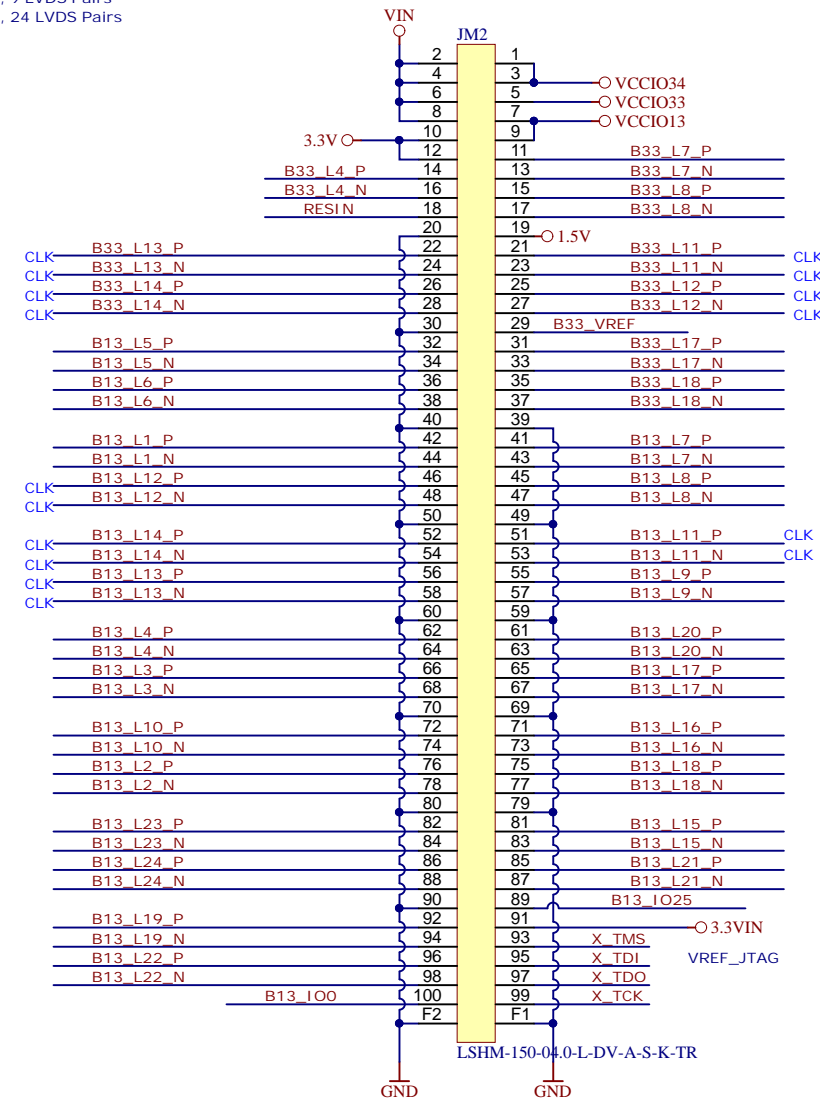
B33 18 IO, 9 LVDS Pairs
B13 48 IO, 24 LVDS Pairs
B13 2 IO



LSHM-150-04.0-L-DV-A-S-K-TR

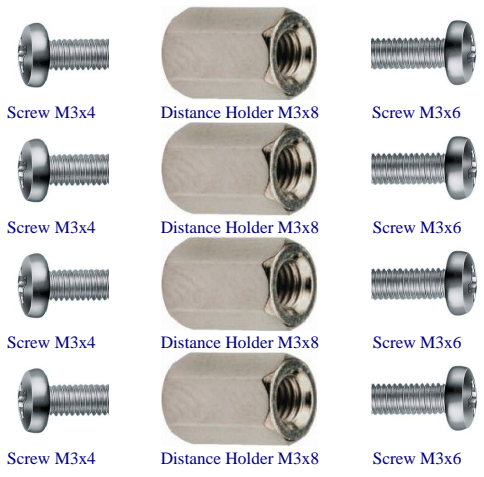


LSHM-130-04.0-L-DV-A-S-K-TR



LSHM-150-04.0-L-DV-A-S-K-TR

Top of Board



Title: GigaZee - B2B Connector		
A4	Number: TE0720 TE0720-2IF	Rev. 03
Date: 2015-10-12	Copyright: 2013 Trenz Electronic GmbH	Page 15 of 15
Filename: B2B-Connectors.SchDoc		