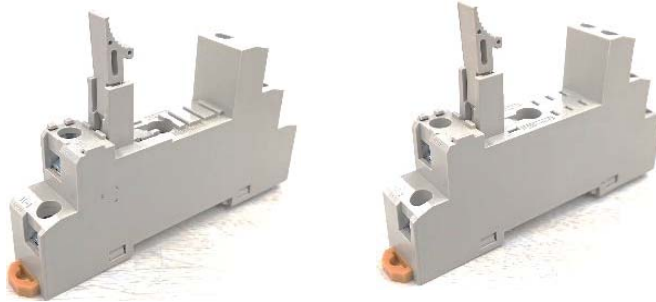


NO: RL-177
DATE: May 2020

PRODUCT: P2RF-E series socket
TYPE: Discontinuation Notice

Discontinuation notice of P2RF-E series sockets for G2RS relays



Product Discontinuation

Square sockets

Model P2RF-05-E
Model P2RF-08-E



Recommended Replacement

Square sockets

Model P2RFZ-05-E
Model P2RFZ-08-E

Discontinuation Date: March 2021

[Final order entry date]

The end of March, 2021

[Last shipping date]

The end of June, 2021

[Difference from discontinued product]

| Recommended replacement Model | Body Color | Dimensions | Wire connection | Mounting Dimensions | Characteristics | Operation ratings | Operation methods |
|-------------------------------|------------|------------|-----------------|---------------------|-----------------|-------------------|-------------------|
| P2RFZ-05-E | -- | * | * | * | ** | - | - |
| P2RFZ-08-E | -- | * | * | * | ** | - | - |

** : Compatible

* : The change is a little/Almost compatible

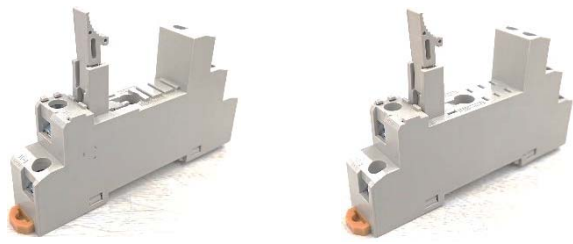

-- : Not compatible

- : No corresponding specification

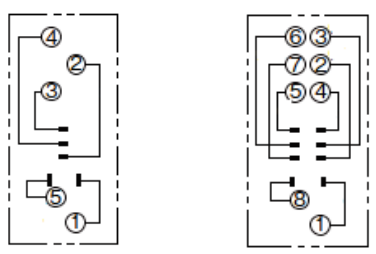
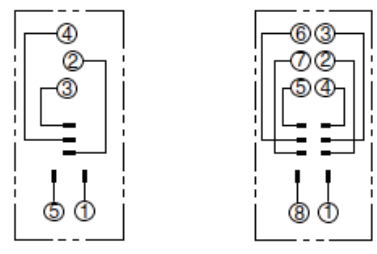
[Product Discontinuation and recommended replacement]

| Product discontinuation | Recommended replacement |
|-------------------------|-------------------------|
| P2RF-05-E | P2RFZ-05-E |
| P2RF-08-E | P2RFZ-08-E |

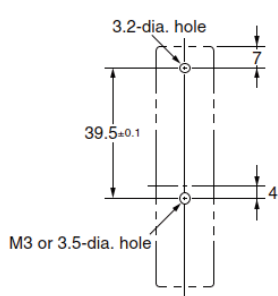
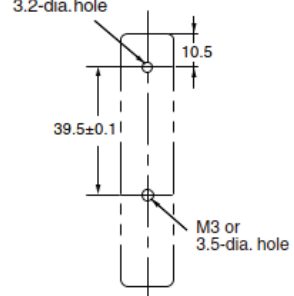
[Body color]

| Product discontinuation Model P2RF-05-E Model P2RF-08-E | Recommendable replacement Model P2RFZ-05-E Model P2RFZ-08-E |
|--|--|
| <p>Body color : Light gray</p> <p>P2RF-05-E P2RF-08-E</p>  | <p>Body color : Black</p> <p>P2RFZ-05-E P2RFZ-08-E</p>  |

[Wire connection]

| Product discontinuation Model P2RF-05-E Model P2RF-08-E | Recommendable replacement Model P2RFZ-05-E Model P2RFZ-08-E |
|--|---|
| <p>P2RF-05-E P2RF-08-E</p>  <p>(TOP VIEW) (TOP VIEW)</p> | <p>P2RFZ-05-E P2RFZ-08-E</p>  <p>(Top View) (Top View)</p> |

[Mounting dimensions]

| Product discontinuation Model P2RF-05-E Model P2RF-08-E | Recommendable replacement Model P2RFZ-05-E Model P2RFZ-08-E |
|---|--|
|  <p>(Top View)</p> |  <p>(Top View)</p> |

| | |
|--|--|
| Product discontinuation Model P2RF-05-E Model P2RF-08-E | Recommendable replacement Model P2RFZ-05-E Model P2RFZ-08-E |
| | |


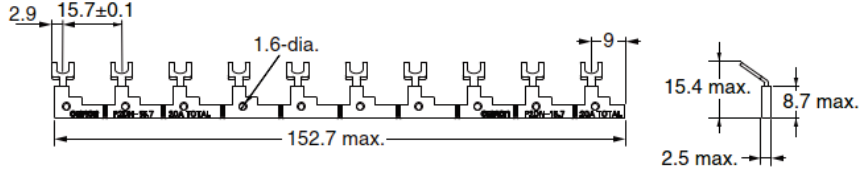

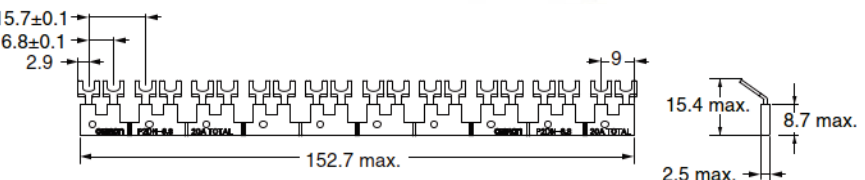

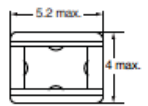
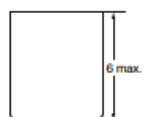
[Dimensions]

| Product discontinuation Model P2RF-05-E Model P2RF-08-E | Recommendable replacement Model P2RFZ-05-E Model P2RFZ-08-E |
|---|---|
| <p style="text-align: center;">P2RF-05-E</p> <p style="text-align: center;">P2RF-08-E</p> | <p style="text-align: center;">P2RFZ-05-E</p> <p style="text-align: center;">P2RFZ-08-E</p> |

[Characteristics]

| Item | Product discontinuation Model P2RF-05-E Model P2RF-08-E | Recommendable replacement Model P2RFZ-05-E Model P2RFZ-08-E |
|----------------------------------|---|---|
| Ambient using temperature | -40~+70°C | |
| Ambient using humidity | 5~85%RH | |
| Rated carry current | P2RF-05-E : 10A P2RF-08-E : 5A | P2RFZ-05-E : 10A P2RFZ-08-E : 6A |
| Dielectric strength | Between same pole contact : AC1,000V/1min Between different pole contact : AC3,000V/1min Between coil and contact : AC4,000V/1min | |
| Insulation resistance | 1,000MΩMin. (DC500V) | |
| Weight | P2RF-05-E : Approx.38g P2RF-08-E : Approx.38g | P2RFZ-05-E : Approx.30g P2RFZ-08-E : Approx.38g |
| Safety standard certified | UL、CSA、VDE | UL、CSA、TUV |

[Accessories]

| <p>Product discontinuation Model P2RF-05-E Model P2RF-08-E</p> | <p>Recommendable replacement Model P2RFZ-05-E Model P2RFZ-08-E</p> |
|---|---|
| <p>Short Bar NONE</p> | <p>Short Bar Model P2DN-15.7-100S</p>   <p>Note: One set (order unit) contains 10 short bars and 20 caps.</p> <p>Model P2DN-6.8-100S</p>   <p>Note: One set (order unit) contains 10 short bars and 20 caps.</p> <p>Cap Model P2DN-CP100</p>    <p>Note: One set (order unit) contains 100 caps</p> |

Specifications and prices in this product news are as of the issue date and are subject to change without notice. Only main changes in specifications are described in this document. Please be sure to read the relevant catalogs, datasheets, product specifications, instructions, and manuals for precautions and necessary information when using products.