

**SAW Filter 875.0MHz**  
**Part No: MP02647**

**Model: TA0908A**  
**Rev No: 1**

**A. MAXIMUM RATING:**

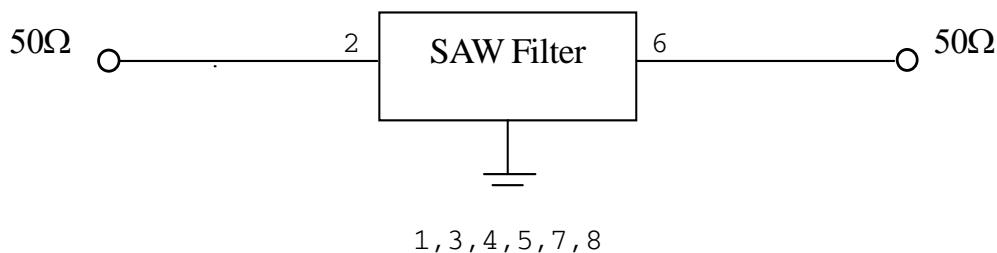
1. Input Power Level: 10dBm
2. DC Voltage: 3V
3. Operating Temperature: -20°C to +70°C
4. Storage Temperature: -30°C to +85°C

**B. ELECTRICAL CHARACTERISTICS:**

Item	Unit	Min.	Typ.	Max.	Note
Center Frequency Fc	MHz	-	875	-	-
Insertion loss (870 ~ 880MHz) IL	dB	-	2.8	4.2	-
Amplitude Ripple (870 ~ 880MHz)	dB	-	0.4	2	-
VSWR (870 ~ 880MHz)		-	1.5	2.3	-
Attenuation (Reference level from 0dB)					
0 ~ 840MHz	dB	35	55	-	-
910 ~ 1300MHz	dB	35	53	-	-

**C. MEASUREMENT CIRCUIT:**

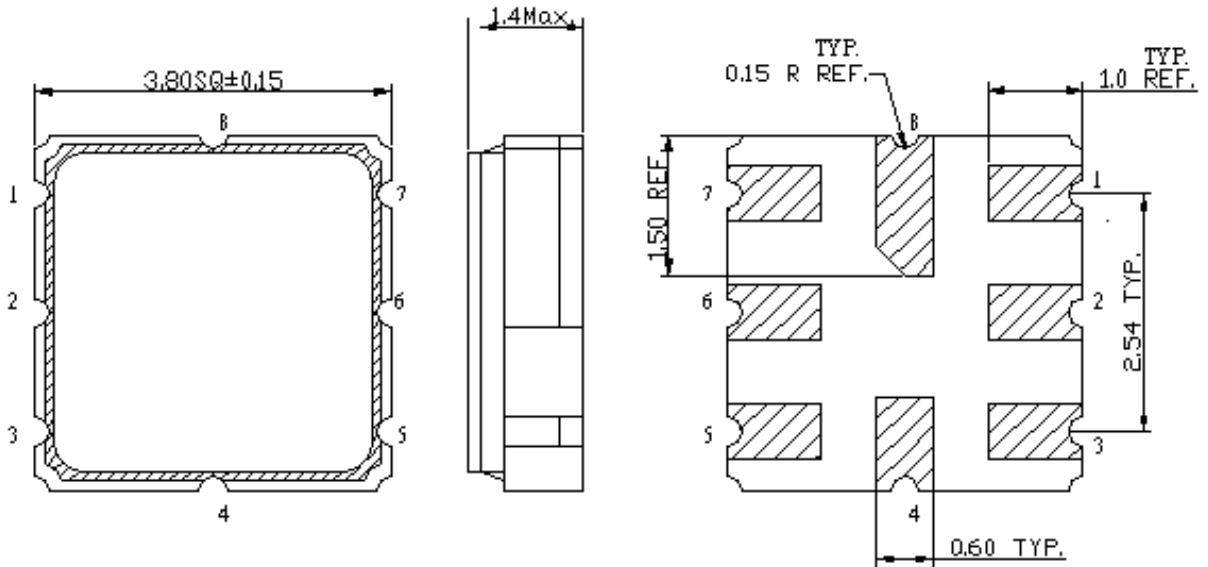
HP Network analyzer



**SAW Filter 875.0MHz**  
**Part No: MP02647**

**Model: TA0908A**  
**Rev No: 1**

**D. OUTLINE DRAWING:**



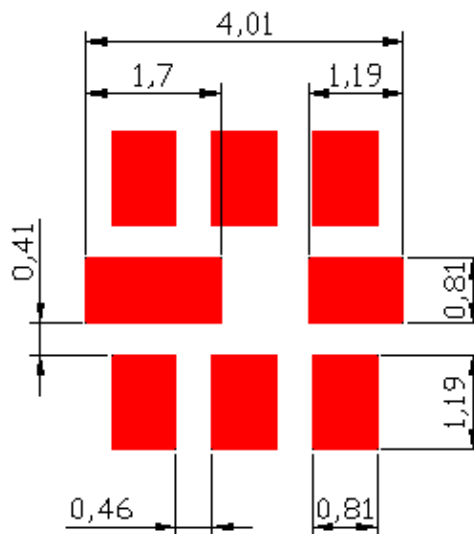
2: Input

6: Output

1, 3, 4, 5, 7, 8: Ground

Unit: mm

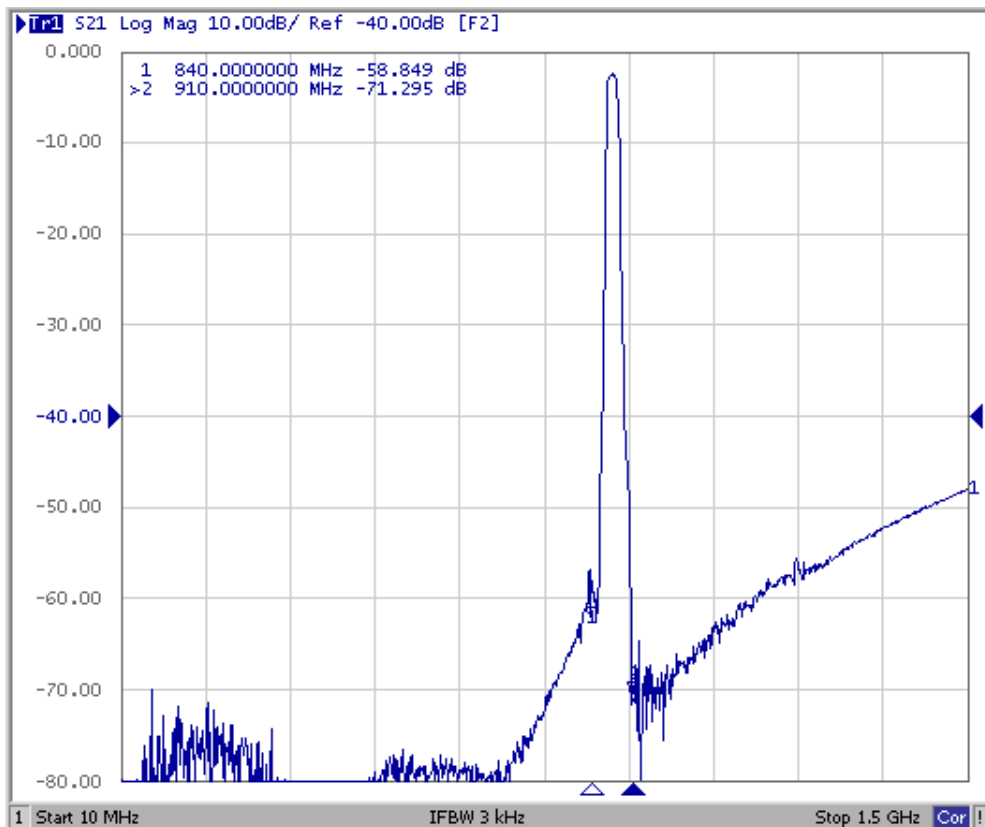
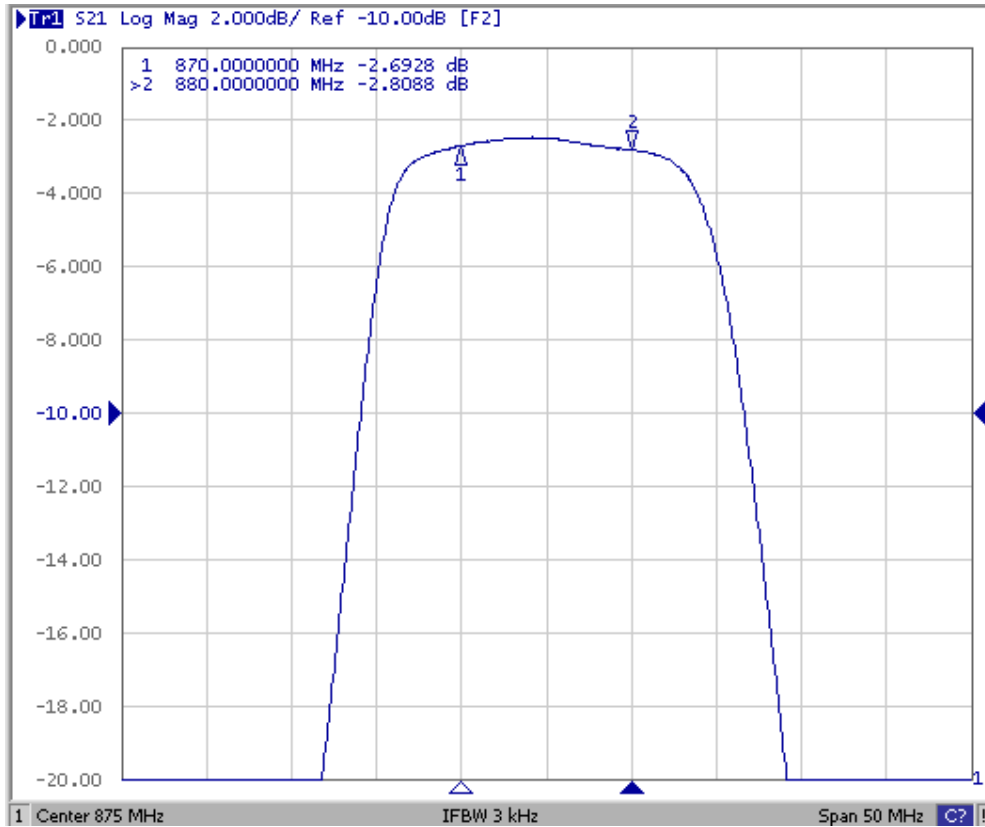
**E. PCB FOOTPRINT:**



**SAW Filter 875.0MHz**  
**Part No: MP02647**

**Model: TA0908A**  
**Rev No: 1**

**F. FREQUENCY CHARACTERISTICS:**

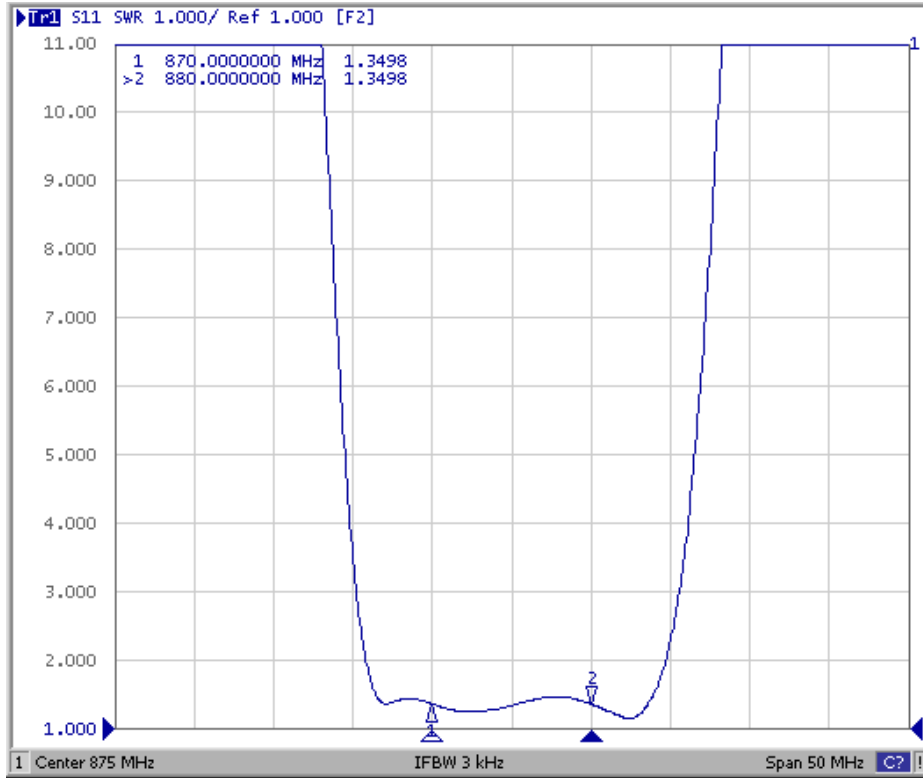


**SAW Filter 875.0MHz**  
**Part No: MP02647**

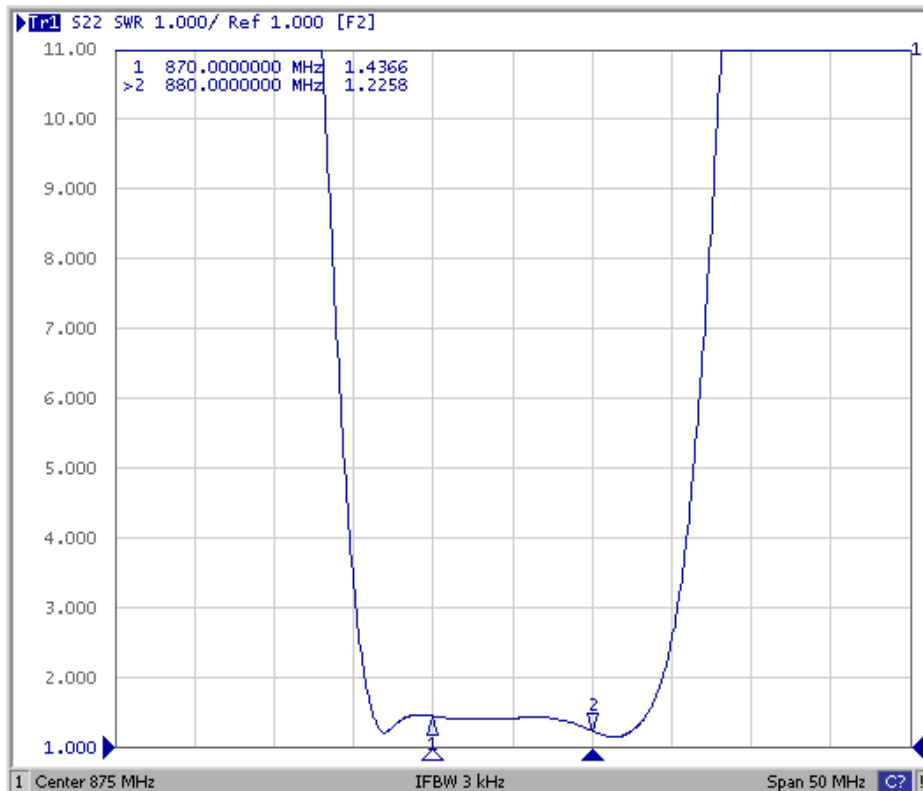
**Model: TA0908A**  
**Rev No: 1**

Reflection Functions

S11



S22

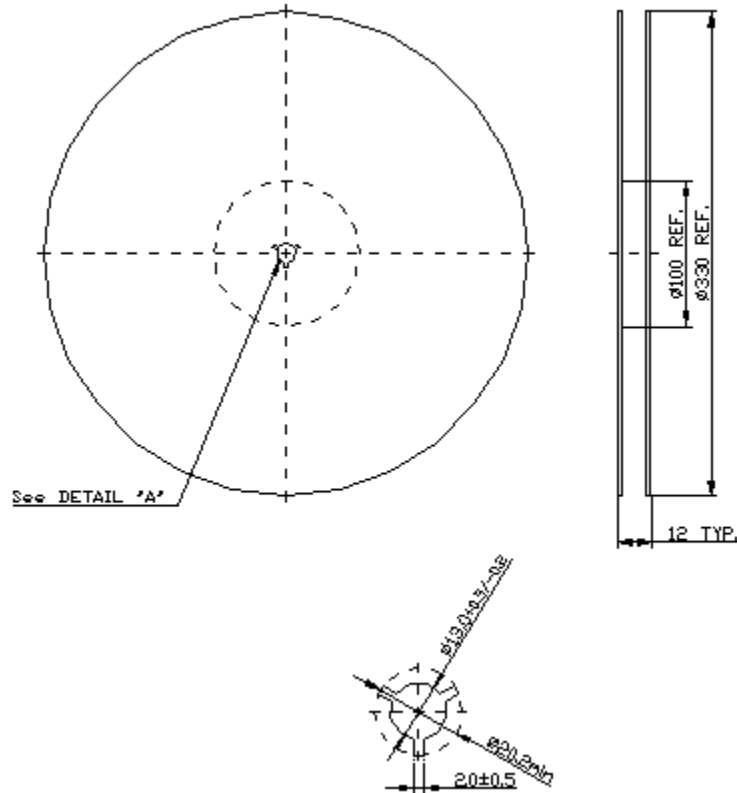


**SAW Filter 875.0MHz**  
**Part No: MP02647**

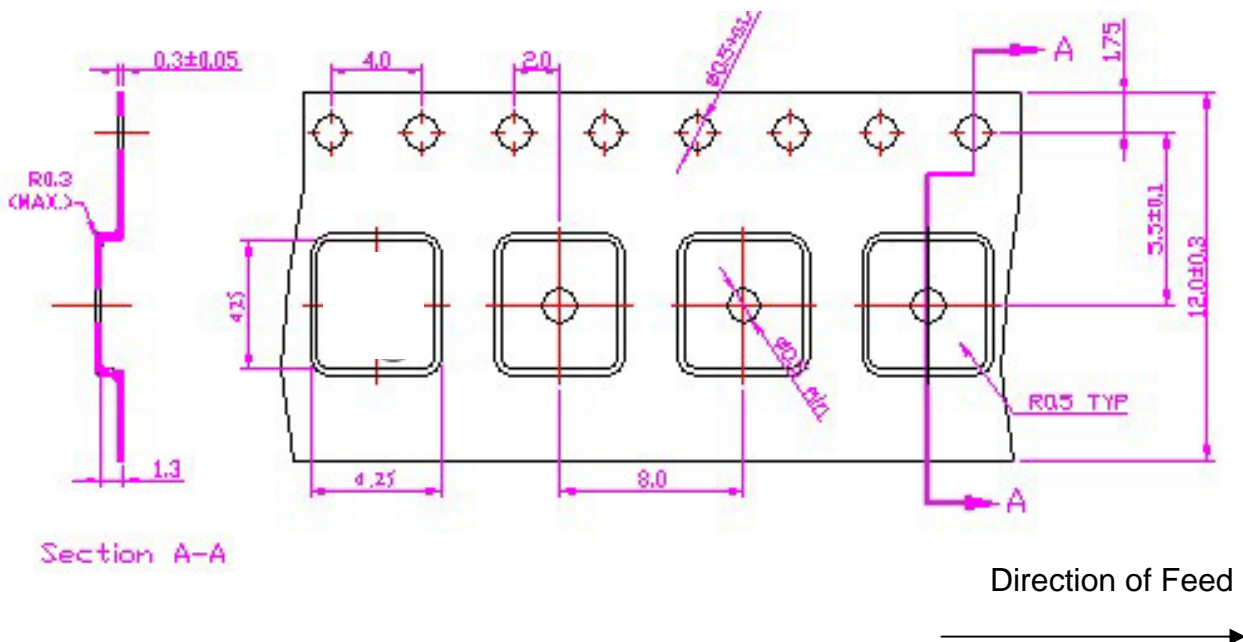
**Model: TA0908A**  
**Rev No: 1**

**G. PACKING:**

1. Reel Dimension (Reel Count: 7" = 1000, 13" = 3000)



2. Tape Dimension



**SAW Filter 875.0MHz**  
**Part No: MP02647**

**Model: TA0908A**  
**Rev No: 1**

**H. RECOMMENDED REFLOW PROFILE:**

