

Type of Screw and Gasket  
see sheet 2, PN KEY

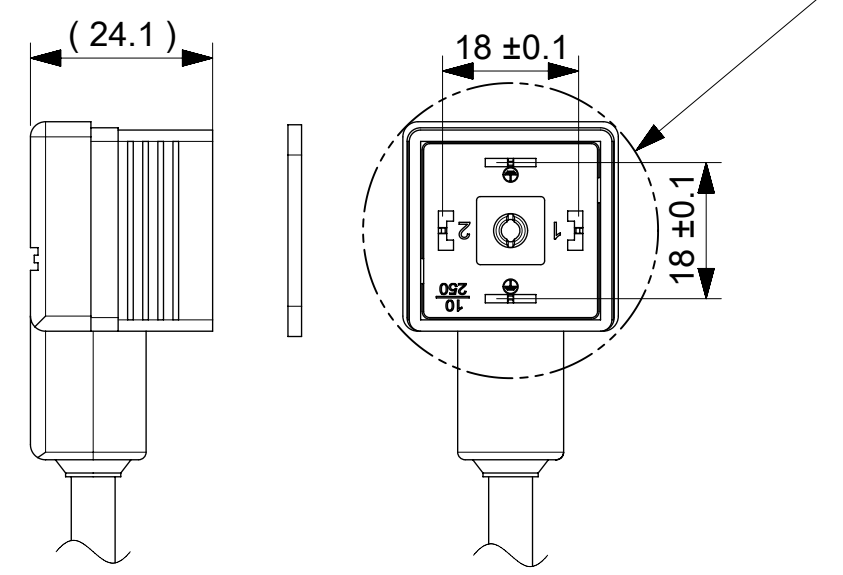
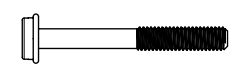
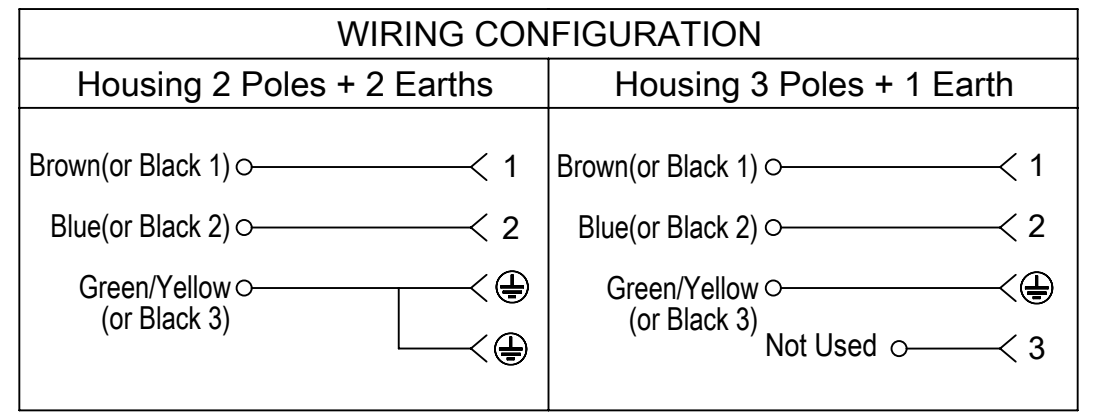
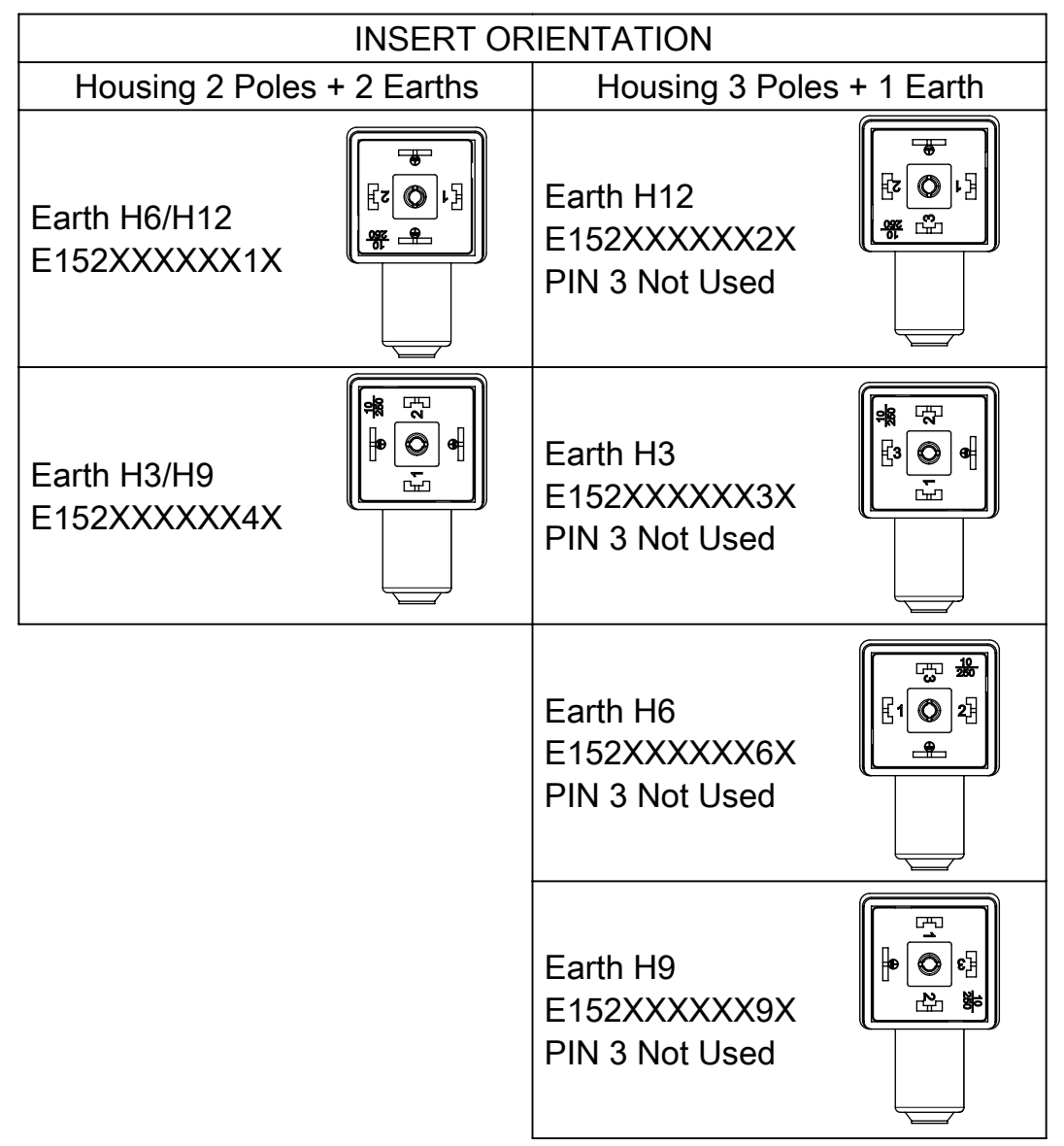
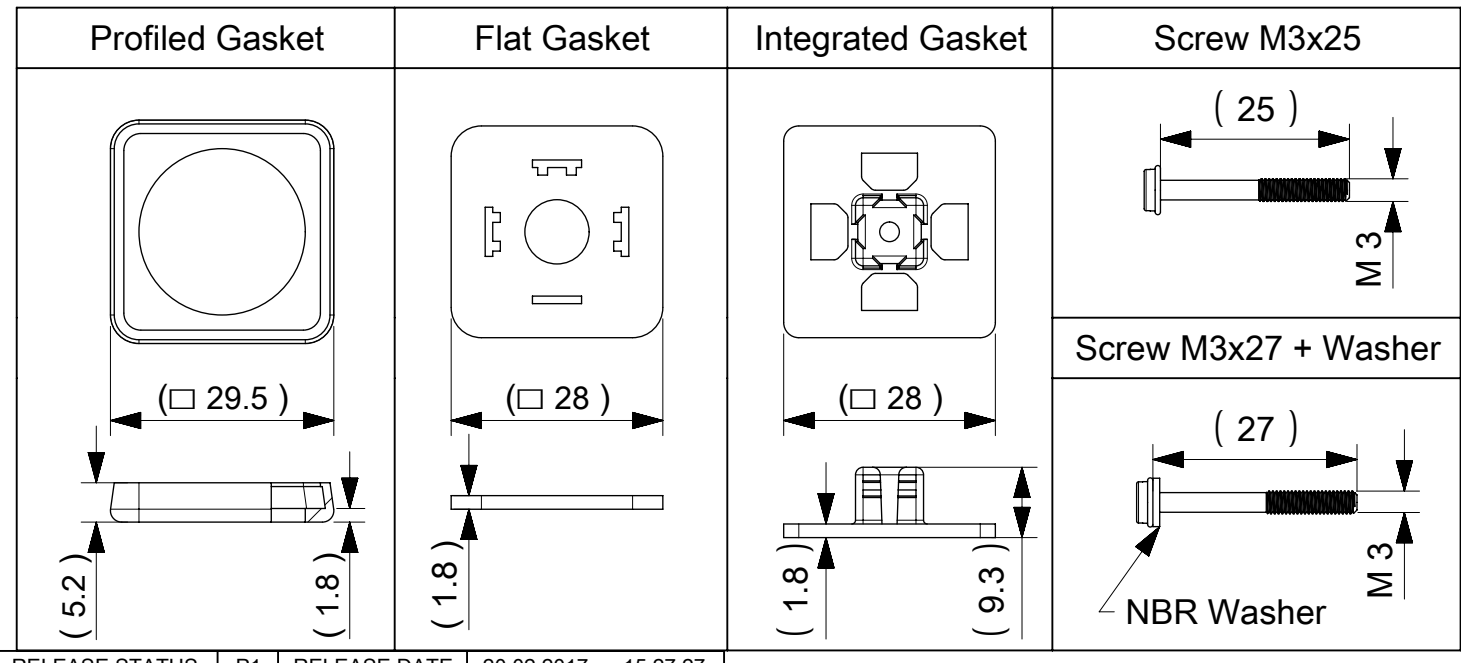


TABLE OF LENGTH TOLERANCES [mm]		
Over	Up to and Including	TOLERANCE
0	1000	±20
1000	3000	±30
3000	5000	±40
5000	10000	±50
10000	15000	±100
15000	20000	±150
20000		±L/100



Type of Screws and Gaskets



THIS DRAWING CONTAINS INFORMATION THAT IS PROPRIETARY TO MOLEX ELECTRONIC TECHNOLOGIES, LLC AND SHOULD NOT BE USED WITHOUT WRITTEN PERMISSION

QUALITY SYMBOLS	EC NO: 113606	DRWN: APAWLAK01	CHK'D: MIWASIECZKO	APPR: MIWASIECZKO	DATE: 2017/02/20	DATE: 2017/02/20	DATE: 2017/02/20	DATE: 2017/02/20
FA = 0 FE = 0 FF = 0 GV = 0 CH = 0 X = 0 ■ = 0 V = 0	GENERAL TOLERANCES (UNLESS SPECIFIED) ANGULAR TOL ± ° 4 PLACES ± 3 PLACES ± 2 PLACES ± 1 PLACE ± 0 PLACES ±			DIMENSION UNITS: MM SCALE: 1:1		<b>molex®</b> STANDARD E152 DIN FORM A EN 175301-803		
DRAFT WHERE APPLICABLE MUST REMAIN WITHIN DIMENSIONS				APPR BY: MIWASIECZKO DATE: 2017/02/20		PRODUCT CUSTOMER DRAWING		
DRAWING SIZE: A3 THIRD ANGLE PROJECTION		DRWN BY: APAWLAK01 DATE: 2017/02/07		CHK'D BY: MIWASIECZKO DATE: 2017/02/20		SERIES: 121040	MATERIAL NUMBER: SEE 1210400050 PDP	CUSTOMER: GENERAL MARKET
RELEASE STATUS: P1 RELEASE DATE: 20.02.2017 15:27:27						DOCUMENT NUMBER: 1210400050 DOC TYPE: PSD DOC PART: 000		SHEET NUMBER: 1 OF 2

PN KEY - NUMERICAL CODE (Available parts see PART LIST table. Others parts available upon request).

**E 1 5 2 X X X X X X X X**

E - Packing without bags  
W - Single Packing

Number of wires:  
2 - 2 Wires + Earth

Cable type:  
See Table

Head Colour:  
G - Grey  
N - Black  
A - CSA-UL Black  
B - CSA-UL Grey

Cable Length in [cm]  
Examples:  
050 = 50cm  
300 = 300cm  
10K = 1000cm

Earth PIN location (see insert orientation table):  
1 = Double Earth on H6 & H12  
2 = Earth on H12  
3 = Earth on H3  
4 = Double Earth on H3 & H9  
6 = Earth on H6  
9 = Earth on H9

Type of Gasket and Screw (see sheet 1):  
1 = NBR Profile Gasket + Fixing Screw M3x25mm  
2 = NBR Flat Gasket + Fixing Screw M3x25mm  
3 = Silicone Profile Gasket + Fixing Screw M3x25mm  
4 = Silicone Flat Gasket + Fixing Screw M3x25mm  
P = NBR Integrated Gasket + Fixing Screw with Washer M3x27mm Assembled on Connector  
R = NBR Integrated Gasket + Fixing Screw with Washer M3x27mm NOT Assembled on Connector  
T = NBR Profile Gasket + Fixing Screw with Washer M3x27mm

CABLE TYPE	NO. OF WIRES	CROSS SECTION	CABLE O.D.	CABLE JACKET	UL	CSA	STATIC: TEMP. / BENDING RADIUS	DYNAMIC: TEMP. / BENDING RADIUS	SHIELD
A2	3	AWG 20	5.6mm±0.2	PVC BLACK	UL 2661	CSA C22.2	-30°C to +105°C, 10xO.D.	-5°C to +105°C, 15xO.D.	-
A3	3	AWG 18	6.5mm±0.25	PVC BLACK	UL 2661	CSA C22.2	-30°C to +105°C, 10xO.D.	-5°C to +105°C, 15xO.D.	-
B2	3	AWG 20	5.6mm±0.2	PUR BLACK	UL 20668	CSA C22.2	-40°C to +90°C, 5xO.D.	-25°C to +90°C, 10xO.D.	-
B3	3	AWG 18	6.5mm±0.2	PUR BLACK	UL 20668	CSA C22.2	-40°C to +90°C, 5xO.D.	-25°C to +90°C, 10xO.D.	-
I0	3	1mm <sup>2</sup>	7.6mm±0.2	PVC GREY	-	-	-25°C to +70°C, 10xO.D.	-5°C to +70°C, 15xO.D.	YES
I2	3	0.5mm <sup>2</sup>	5.5mm+0.3	PVC GREY	-	-	-25°C to +70°C, 10xO.D.	-5°C to +70°C, 15xO.D.	-
I4	3	1mm <sup>2</sup>	7.1mm+0.2	PVC GREY	-	-	-25°C to +70°C, 10xO.D.	-5°C to +70°C, 15xO.D.	-
N2	3	0.5mm <sup>2</sup>	5.6mm±0.7	PVC BLACK	-	-	-20°C to +70°C, 3xO.D.	-15°C to +70°C, 5xO.D.	-
N3	3	0.75mm <sup>2</sup>	6.8mm±0.8	PVC BLACK	-	-	-20°C to +70°C, 3xO.D.	-15°C to +70°C, 5xO.D.	-
N4	3	1mm <sup>2</sup>	7.15mm±0.85	PVC BLACK	-	-	-20°C to +70°C, 3xO.D.	-15°C to +70°C, 5xO.D.	-
N5	3	1.5mm <sup>2</sup>	8.4mm±1	PVC BLACK	-	-	-20°C to +70°C, 3xO.D.	-15°C to +70°C, 5xO.D.	-
P2	3	0.5mm <sup>2</sup>	5.5mm+0.3	PUR BLACK	-	-	-40°C to +90°C, 7.5xO.D.	-15°C to +90°C, 12.5xO.D.	-
P3	3	0.75mm <sup>2</sup>	6.5mm±0.2	PUR BLACK	-	-	-40°C to +90°C, 7.5xO.D.	-15°C to +90°C, 12.5xO.D.	-
R4	3	1mm <sup>2</sup>	7.1mm±0.2	TPR HF BLACK	-	-	-	-	-
Y3	3	0.75mm <sup>2</sup>	6.5mm±0.2	SILICONE RED	-	-	-60°C to +180°C, 15xO.D.	-	-

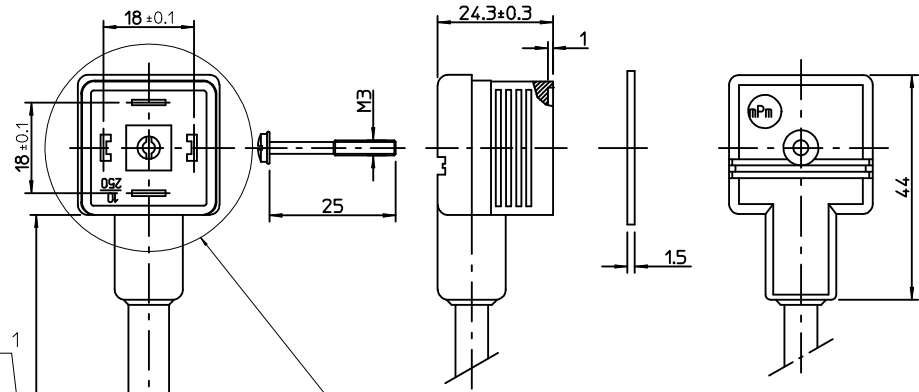
Notes:

1. Please see excel sheet 1210400050\_PDP for currently configured part numbers.

RELEASE STATUS | P1 | RELEASE DATE | 20.02.2017 15:27:27

<b>QUALITY SYMBOLS</b> 	THIS DRAWING CONTAINS INFORMATION THAT IS PROPRIETARY TO MOLEX ELECTRONIC TECHNOLOGIES, LLC AND SHOULD NOT BE USED WITHOUT WRITTEN PERMISSION										
	EC NO: 113606 DRWN: APAWLAK01 CHK'D: APPR: MIWASIECZKO	2017/02/07 2017/02/20	GENERAL TOLERANCES (UNLESS SPECIFIED)		DIMENSION UNITS	SCALE					
			ANGULAR TOL ± °		MM	1:1					
			4 PLACES ±	APAWLAK01		DATE					2017/02/07
			3 PLACES ±	CHK'D BY		DATE					
			2 PLACES ±	APPR BY		DATE					
	1 PLACE ±	MIWASIECZKO		DATE	2017/02/20	PRODUCT CUSTOMER DRAWING					
	0 PLACES ±	DRAFT WHERE APPLICABLE MUST REMAIN WITHIN DIMENSIONS		DRAWING SIZE	THIRD ANGLE PROJECTION	SERIES	MATERIAL NUMBER	CUSTOMER			
	A	REV	A3		121040	SEE 1210400050 PDP	GENERAL MARKET				
					DOCUMENT NUMBER	DOC TYPE	DOC PART	SHEET NUMBER			
				1210400050	PSD	000	2 OF 2				

10 9 8 7 6 5 4 3 2 1



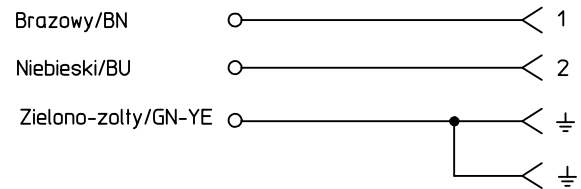
PATRZ UWAGA 1  
SEE NOTE 1

Patrz Orientacja obudowy/See insert orientation

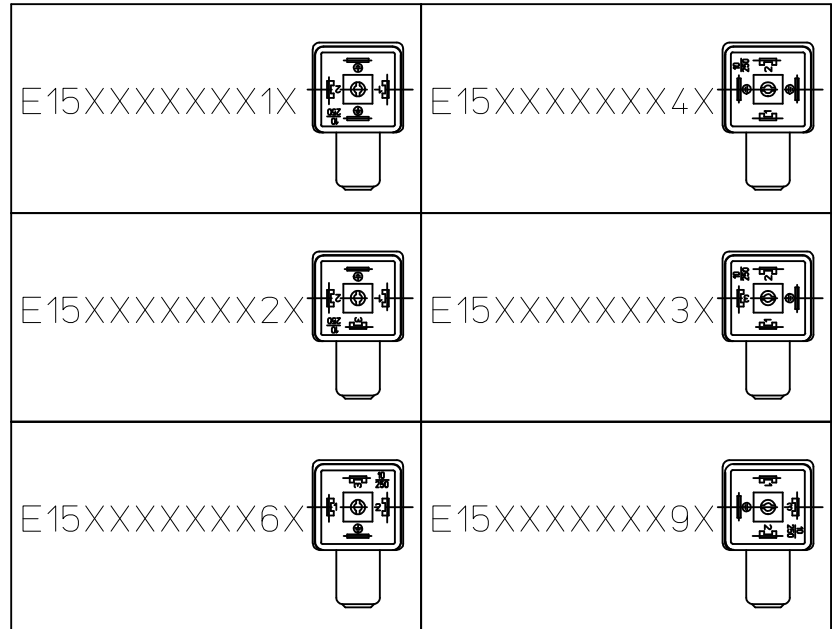
CYNOWAC  
TINNED

Table of length tolerances/ Tablica tolerancji dlugosci mm		
Over/Od	Up to and including/ Do-wlacznie	Tolerance/Tolerancja
100	1000	±20
1000	3000	±30
3000	5000	±40
5000	10000	±50
10000	15000	±100
15000	20000	±150
20000		±L/100

SCHEMAT POLACZEN/WIRING CONFIGURATION



Orientacja obudowy/Insert orientation



UWAGI:

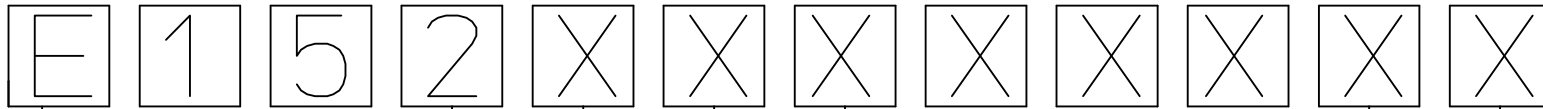
1. DLUGOSC PATRZ ARKUSZ 2.

NOTES:

1. LENGTH SEE SHEET 2.

REMOVING LABEL EC NO: WEU2009-0464 DRWIN: MWOLSZCZAK 2009/06/24 CHYKD: MDABROWSKA 2009/06/25 APPR: GOGRODNIK 2009/08/04	QUALITY SYMBOLS	GENERAL TOLERANCES (UNLESS SPECIFIED)	DIMENSION STYLE	SCALE	DESIGN UNITS	FIRST ANGLE PROJECTION	
	DESCRIPTION	mm INCH	MM ONLY	---	METRIC		
	REV	4 PLACES ± --- ± --- 3 PLACES ± --- ± --- 2 PLACES ± --- ± --- 1 PLACE ± --- ± --- ANGULAR ± ---°	DRAWN BY DATE MLEVYTSKY 2009/01/21	CHECKED BY DATE MDABROWSKA 2009/01/21	APPROVED BY DATE MWOLSZCZAK 2009/01/21	TITLE MPM E152XXXXXXXX	
		DRAFT WHERE APPLICABLE MUST REMAIN WITHIN DIMENSIONS	SIZE A3	MATERIAL NO. SEE DRAWING		DOCUMENT NO. E152XXXXXXXX	SHEET NO. 1 OF 4

9 8 7 6 5 4 3 2 1



E - Pakowanie bez workow  
 W - Pakowanie pojedynczo  
 Q - Szybkie pakowanie

ILOSC PRZEWODOW/NUMBER OF WIRES:  
 1=2 PRZEWODY,  
 2=2 PRZEWODY+UZIEMIENIE,  
 3=3 PRZEWODY+UZIEMIENIE.

TYP KABLA/CABLE TYPE  
 PATRZ TABELA 1/SEE TABLE 1

RODZAJ KABLA/CABLE CROSS SECTION AREA  
 PATRZ TABELA 2/SEE TABLE 2

KOLOR MOULDINGU/HEAD COLOUR:  
 G=SZARY/GREY,  
 N=CZARNY/BLACK,  
 T=PRZEZROCZYSTY/TRANSPARENT,  
 A=CZARNY/BLACK,  
 B=SZARY/GREY.

DLUGOSC KABLA W CM/CABLE LENGHT IN CM  
 NP:050=50 CM, 300=300 CM.

POLOZENIE PINU Z UZIEMIENIEM(PATRZ TABELA ORJENTACJA OBUDOWY)/EARTH PIN LOCATION(SEE INSERT ORIENTATION TABLE):

1=PODWOJNE UZIEMIENIE NA GODZINIE 6 ORAZ 12/DOUBLE EARTH ON 6H AND 12H,  
 2=UZIEMIENIE NA GODZINIE 12/EARTH ON 12H,  
 6=UZIEMIENIE NA GODZINIE 6/EARTH ON 6H,  
 4=PODWOJNE UZIEMIENIE NA GODZINIE 3 ORAZ 9/DOUBLE EARTH ON 3H AND 9H,  
 3=UZIEMIENIE NA GODZINIE 3/EARTH ON 3H,  
 9=UZIEMIENIE NA GODZINIE 9/EARTH ON 9H.

GASKET ORAZ SRUBY/GASKET SCREWS:

1=GASKET PROFILOWANY+SRUBA/NBR PROFILE GASKET+FIXING SCREWS,  
 2=NBR PLASKI GASKET+SRUBA/NBR FLAT GASKET+SCREW,  
 3=SILIKONOWY PROFILOWANY GASKET+SRUBA/SILICONE PROFILE GASKET+SCREW,  
 4=SILIKONOWY PLASKI GASKET+SRUBA/SILICON FLAT GASKET+SCREW,  
 P=ZINTEGROWANY GASKET+SRUBA/INTEGRATED GASKET+FIXING SCREW,  
 R=ZINTEGROWANY GASKET+SRUBA/INTAGRATED GASKET+SCREW,  
 T=PROFILOWANY GASKET+SRUBA, PROFILE GASKET+SCREW.

ORIGINAL RELEASE EC NO: WEU2009-0394 DRWIN: MWOLSZCZAK 2009/05/26 CHKD: MDABROWSKA 2009/05/29 APPR: GOGRODNIK 2009/06/08	DESCRIPTION	QUALITY SYMBOLS	GENERAL TOLERANCES (UNLESS SPECIFIED)		DIMENSION STYLE MM ONLY		SCALE ---	DESIGN UNITS METRIC	FIRST ANGLE PROJECTION		
		▽=0 ◻=0	mm	INCH	DRAWN BY	DATE	TITLE MPM E152XXXXXXXXXX				
			4 PLACES ± --- ± ---	3 PLACES ± --- ± ---	MLEVYTSKYY	2009/01/21					
			2 PLACES ± --- ± ---	1 PLACE ± --- ± ---	MDABROWSKA	2009/01/21					
		ANGULAR ± ---°			APPROVED BY	DATE	MOLEX INCORPORATED				
					MWOLSZCZAK	2009/01/21	DOCUMENT NO. E152XXXXXXXXXX				
					MATERIAL NO.		SHEET NO. 2 OF 4				
			DRAFT WHERE APPLICABLE MUST REMAIN WITHIN DIMENSIONS		SEE DRAWING		THIS DRAWING CONTAINS INFORMATION THAT IS PROPRIETARY TO MOLEX INCORPORATED AND SHOULD NOT BE USED WITHOUT WRITTEN PERMISSION				
					SIZE A3						

TABELA 2 KABLE/TABLE 2 CABLES

MOLEX PN	mPm	Code	PRZEW.	PRZEKROJ	MATERIAL	KOLOR/COLOUR	SREDNICA Ø	DIN A-B	DIN C
1210180080	I	0	3	1 mm2	PVC CEI 2022 II O.R.	Szary/Grey RAL7035	-	-	-
1210180467	A	2	2	20 AWG	PVC CSA/UL 2661	Czarny/Black	5,5+/-0,2 mm	OK.	OK.
-	A	2	3	20 AWG	PVC CSA/UL 2661	Czarny/Black	5,6+/-0,2 mm	OK.	OK.
1210180394	A	2	4	20 AWG	PVC CSA/UL 2661	Czarny/Black	6,2+/-0,2 mm	OK.	OK.
-	A	2	5	20 AWG	PVC CSA/UL 2661	Czarny/Black	7+/-0,2 mm	OK.	-
1210180297	B	2	2	20 AWG	PUR CSA/UL 20668	Czarny/Black	5,5+/-0,2 mm	OK.	OK.
1210180126	B	2	3	20 AWG	PUR CSA/UL 20668	Czarny/Black	5,6+/-0,2 mm	OK.	OK.
1210180387	B	2	4	20 AWG	PUR CSA/UL 20668	Czarny/Black	6,2+/-0,2 mm	OK.	OK.
-	B	2	5	20 AWG	PUR CSA/UL 20668	Czarny/Black	7+/-0,2 mm	OK.	-
1210180122	D	2	3	0,5 mm2	PVC T12 CEI 20-20	Szary/Grey	-	-	-
-	F	2	3	0,5 mm2	CNOMO	Szary/Grey RAL7000	5,5+/-0,2 mm	OK.	OK.
1210180047	I	2	2	0,5 mm2	PVC CEI 2022 II O.R.	Szary/Grey RAL7035	5,5+/-0,2 mm	OK.	OK.
-	I	2	3	0,5 mm2	PVC CEI 2022 II O.R.	Szary/Grey RAL7035	5,5+/-0,2 mm	OK.	OK.
1210180146	I	2	4	0,5 mm2	PVC CEI 2022 II O.R.	Szary/Grey RAL7035	6,5+/-0,2 mm	OK.	-
1210180177	I	2	5	0,5 mm2	PVC CEI 2022 II O.R.	Szary/Grey RAL7035	7+/-0,2 mm	OK.	-
1210180022	N	2	2	0,5 mm2	PVCH03	Czarny/Black	5,1+ 0,2-0 mm	OK.	OK.
1210180064	N	2	3	0,5 mm2	PVCH03	Czarny/Black	5,4+ 0,2-0 mm	OK.	OK.
1210180153	N	2	4	0,5 mm2	PVCH03	Czarny/Black	5,75+0,2-0 mm	OK.	OK.
1210180046	P	2	2	0,5 mm2	PUR - BLEND	Czarny/Black	5,5+/-0,2 mm	OK.	OK.
-	P	2	3	0,5 mm2	PUR - BLEND	Czarny/Black	5,5+/-0,2 mm	OK.	OK.
1210180302	P	2	4	0,5 mm2	PUR - BLEND	Czarny/Black	-	-	-
-	P	2	5	0,5 mm2	PUR - BLEND	Czarny/Black	7+/-0,2 mm	OK.	OK.
1210180409	A	3	2	18 AWG	PVC CSA/UL 2661	Czarny/Black	6,5+/-0,2 mm	OK.	-
1210180129	A	3	3	18 AWG	PVC CSA/UL 2661	Czarny/Black	6,5+/-0,2 mm	OK.	-
1210180159	A	3	4	18 AWG	PVC CSA/UL 2661	Czarny/Black	7+/-0,2 mm	OK.	-
-	A	3	5	18 AWG	PVC CSA/UL 2661	Czarny/Black	7,8+/-0,2 mm	OK.	-
1210180351	B	3	2	18 AWG	PUR CSA/UL 20668	Czarny/Black	6,5+/-0,2 mm	OK.	-
1210180127	B	3	3	18 AWG	PUR CSA/UL 20668	Czarny/Black	6,5+/-0,2 mm	OK.	-
1210180127	B	3	4	18 AWG	PUR CSA/UL 20668	Czarny/Black	7+/-0,2 mm	OK.	-
-	B	3	5	18 AWG	PUR CSA/UL 20668	Czarny/Black	7,8+/-0,2 mm	OK.	-
1210180073	D	3	3	0,75 mm2	PVC T12 CEI 20-20	Szary/Grey	-	-	-
1210180145	D	3	4	0,75 mm2	PVC T12 CEI 20-20	Szary/Grey	-	-	-
1210180120	I	3	3	0,75 mm2	PVC CEI 2022 II O.R.	Szary/Grey RAL7035	-	-	-
1210180143	I	3	4	0,75 mm2	PVC CEI 2022 II O.R.	Szary/Grey RAL7035	-	-	-
1210180032	N	3	2	0,75 mm2	PVCH05	Czarny/Black	6,2+ 0,2-0 mm	OK.	-
1210180069	N	3	3	0,75 mm2	PVCH05	Czarny/Black	6,6+0,2-0 mm	OK.	-
-	N	3	4	0,75 mm2	PVCH05	Czarny/Black	7,15+0,2-0 mm	OK.	-
1210180174	N	3	5	0,75 mm2	PVCH05	Czarny/Black	8,0+0,2-0 mm	OK.	-
-	P	3	2	0,75 mm2	PUR - BLEND	Czarny/Black	6,5+/-0,2 mm	OK.	-

TABELA 2 KABLE/TABLE 2 CABLES

MOLEX PN	mPm	Code	PRZEW.	PRZEKROJ	MATERIAL	KOLOR/COLOUR	SREDNICA Ø	DIN A-B	DIN C
1210180071	P	3	3	0,75 mm2	PUR - BLEND	Czarny/Black	6,5+/-0,2 mm	OK.	-
1210180152	P	3	4	0,75 mm2	PUR - BLEND	Czarny/Black	7+/-0,2 mm	OK.	-
1210180384	R	3	3	0,75 mm2	TPR HAL. FREE	Czarny/Black	6,5+/-0,2 mm	OK.	-
1210180094	T	3	3	0,75 mm2	PUR CSA/UL	Żółty/Yellow	-	-	-
1210180309	Y	3	3	0,75 mm2	SIL/0300	Czerwony/Red	6,5+/-0,2 mm	-	-
1210180081	F	4	3	1 mm2	CNOMO	Szary/Grey RAL7000	-	-	-
-	F	4	4	1 mm2	CNOMO	Szary/Grey RAL7000	7,1+0,2-0 mm	OK.	-
1210180042	I	4	2	1 mm2	PVC CEI 2022 II O.R.	Szary/Grey RAL7035	7,1+0,2-0 mm	OK.	-
1210180079	I	4	3	1 mm2	PVC CEI 2022 II O.R.	Szary/Grey RAL7035	7,1+0,2-0 mm	OK.	-
1210180036	N	4	2	1 mm2	PVCH05	Czarny/Black	6,5+0,2-0 mm	OK.	-
1210180082	N	4	3	1 mm2	PVCH05	Czarny/Black	6,9+0,2-0 mm	OK.	-
1210180117	R	4	3	1 mm2	TPR HAL. FREE	Czarny/Black	-	-	-
1210180085	N	5	3	1,5 mm2	PVCH05	Czarny/Black	8,3+0,2-0 mm	OK.	-
1210180313	I	6	2	0,35 mm2	PVC CEI 2022 II O.R.	Szary/Grey RAL7035	-	-	-
-	A	7	3	20 AWG	PVC CSA/UL 2661	Żółty/Yellow	5,6+0,2 mm	OK.	OK.
1210180149	I	9	4	0,75 mm2	PVC CEI 2022 II O.R.	Szary/Grey RAL7035	-	-	-

TABELA 1 TYPY KABLI/TABLE 1 CABLES TYPE

Znakowanie /Code	Rodzaje kabla /Cable types	Właściwości /Features	Przekroje /Stranding
N	PVC	Kabel z dobrą rezystancją w wodzie ale słabą w oleju./Application general purpose cable which has good resistance to water, but usually poor oil resistance.	0,5 mm2 = 15 x 0,20 0,75 mm2 = 21 x 0,20 1 mm2 = 28 x 0,20
I	PVC	Zatwierdzone przez IEC 332-2A, samogaszący./Approved to IEC 332-2A, flame retardant and self extinguishing. Limited resistant to mineral oils.	0,5 mm2 = 28 x 0,15 0,75 mm2 = 42 x 0,15 1 mm2 = 32 x 0,20
P	PVC	Dobra rezystancja w olejach i chemikaljach./Offer good resistance to oil and chemicals. Can swell when constantly immersed in water.	0,5 mm2 = 28 x 0,15 0,75 mm2 = 42 x 0,15 1 mm2 = 32 x 0,20
A	PVC	Zatwierdzony porzez CSA-UL 2661.Dobra rezystancja na wodę słaba na olej./ Approved to CSA-UL 2661, application general purpose cable which has good resistance to water, but usually poor oil resistance.	20 AWG = 32 x 0,15 18 AWG = 52 x 0,15
B	PVC	Zatwierdzony przez CSA-UL 20668, bardzo dobra rezystancja w oleju i chemikaljach./ Approved to CSA-UL 20668, very good resistance to oil and chemicals.	20 AWG = 32 x 0,15 18 AWG = 52 x 0,15

ORIGINAL RELEASE EC NO: WEU2009-0394 DRWIN:WOL SZCZAK 2009/05/26 CHYKD:MDABROWSKA 2009/05/29 APPR:GOGRODNIK 2009/06/08	QUALITY SYMBOLS ▽=0 ▽=0	GENERAL TOLERANCES (UNLESS SPECIFIED)	DIMENSION STYLE MM ONLY	SCALE ---	DESIGN UNITS METRIC	FIRST ANGLE PROJECTION	
		mm      INCH	DRAWN BY      DATE	TITLE MPM E152XXXXXXXXX			
		4 PLACES ± --- ± --- 3 PLACES ± --- ± --- 2 PLACES ± --- ± --- 1 PLACE ± --- ± ---	CHECKED BY      DATE MDABROWSKA 2009/01/21	MOLEX INCORPORATED			
		ANGULAR ± ---°	APPROVED BY      DATE MWOLSZCZAK 2009/01/21	MATERIAL NO. SEE DRAWING	DOCUMENT NO. E152XXXXXXXXX	SHEET NO. 3 OF 4	
DRAFT WHERE APPLICABLE MUST REMAIN WITHIN DIMENSIONS		THIS DRAWING CONTAINS INFORMATION THAT IS PROPRIETARY TO MOLEX INCORPORATED AND SHOULD NOT BE USED WITHOUT WRITTEN PERMISSION					

TABELA 3/CHART 3

MOLEX P/N	WOODHEAD P/N	MOLEX P/N	WOODHEAD P/N	MOLEX P/N	WOODHEAD P/N	MOLEX P/N	WOODHEAD P/N
1210400925	E152A2A05011	1210400085	E152I4N50041	1210400165	E152N3N25011	1210401103	W152N3N5001R
1210400933	E152A3A05511	1210400958	E152I4N60011	1210400168	E152N3N30011	1210401102	W152N3N7001R
1210400923	E152A3A06511	1210400086	E152I4N90041	1210400815	E152N3N3001P	1210401082	W152N4N2001R
1210400048	E152A3A10011	1210400091	E152N2N05011	1210400666	E152N3N35011	1210401124	W152P2N1501P
1210400680	E152A3A10K11	1210400092	E152N2N10011	1210400585	E152N3N40011	1210401101	W152P3N2001R
1210400591	E152A3A13011	1210400614	E152N2N10K11	1210400589	E152N3N50011	1210401104	W152N3N2001R
1210400978	E152A3A16011	1210400644	E152N2N20011	1210400816	E152N3N5001P	1210401113	W152N3N3001R
1210400584	E152A3A20011	1210400794	E152N2N2001P	1210400677	E152N3N50041	1210401101	W152P3N2001R
1210400839	E152A3A5001P	1210400930	E152N2N2004P	1210400741	E152N4N30011	1210400050	E152A3A30011
1210400065	E152I0N10K21	1210400116	E152N3N03511	1210400969	E152N5N3001P	1210400607	E152A3A50011
1210400582	E152I2N10011	1210400120	E152N3N05011	1210401014	E152N5N5004P	1210400965	E152I4N10K1T
1210400067	E152I2N15011	1210400127	E152N3N06011	1210400172	E152P2N20011	1210400096	E152N2N30011
1210400588	E152I2N20011	1210400134	E152N3N07511	1210400176	E152P2N50011	1210400104	E152N2N40011
1210400068	E152I2N30011	1210400135	E152N3N07521	1210400178	E152P3N05011	1210400142	E152N3N10021
1210400649	E152I2N50011	1210400140	E152N3N10011	1210400817	E152P3N1001P	1210400681	E152N4N20011
1210400992	E152I2N50021	1210400146	E152N3N10K11	1210400754	E152P3N1501P	1210401126	E152P2G3001P
1210400073	E152I4N10011	1210400942	E152N3N13011	1210400181	E152P3N30011	1210401127	E152P2N3001P
1210400076	E152I4N12K41	1210400149	E152N3N15011	1210400818	E152P3N3001P	1210401132	E152P3N10K11
1210400079	E152I4N16K41	1210400835	E152N3N1501R	1210400819	E152P3N5001P	1210400970	E152P3N10K1P
1210400080	E152I4N20011	1210400159	E152N3N20011	1210401121	W152A3A11K1R	1210400932	Q152N3N50011
1210400082	E152I4N30011	1210400731	E152N3N2001P	1210401083	W152N3N0601R	1210400115	E152N3N03011
1210400083	E152I4N30041	1210400783	E152N3N2001R	1210401125	W152N3N12K1R		
1210400852	E152I4N40024	1210400161	E152N3N20021	1210401104	W152N3N2001R		
1210400084	E152I4N50011	1210400893	E152N3N20023	1210401107	W152N3N2501R		
1210400960	E152I4N5001T	1210400163	E152N3N20061	1210401113	W152N3N3001R		

ORIGINAL RELEASE EC NO: WEU2009-0394 DRWIN: MWOLSZCZAK 2009/05/26 CHYKD: MDABROWSKA 2009/05/29 APPR: GOGRODNIK 2009/06/08	QUALITY SYMBOLS	GENERAL TOLERANCES (UNLESS SPECIFIED)	DIMENSION STYLE	SCALE	DESIGN UNITS	FIRST ANGLE PROJECTION	
	▼=0 ◻=0	mm    INCH 4 PLACES ± --- ± --- 3 PLACES ± --- ± --- 2 PLACES ± --- ± --- 1 PLACE ± --- ± --- ANGULAR ± ---°	MM ONLY	---	METRIC	DRAWN BY: MLEVYTSKYY CHECKED BY: MDABROWSKA APPROVED BY: MWOLSZCZAK MATERIAL NO.	DATE: 2009/01/21 DATE: 2009/01/21 DATE: 2009/01/21
	DESCRIPTION	DRAFT WHERE APPLICABLE MUST REMAIN WITHIN DIMENSIONS	SEE DRAWING	TITLE: MPM E152XXXXXXXX		MOLEX INCORPORATED	
	REV: A		SIZE: A3	DOCUMENT NO: E152XXXXXXXX		SHEET NO: 4 OF 4	