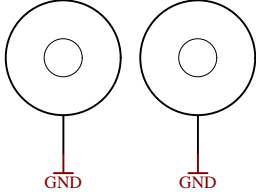
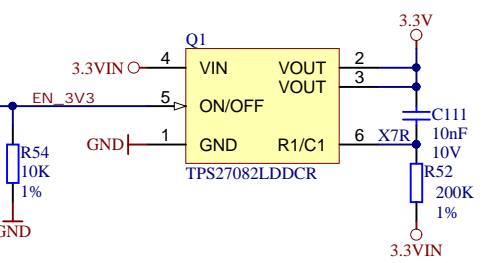
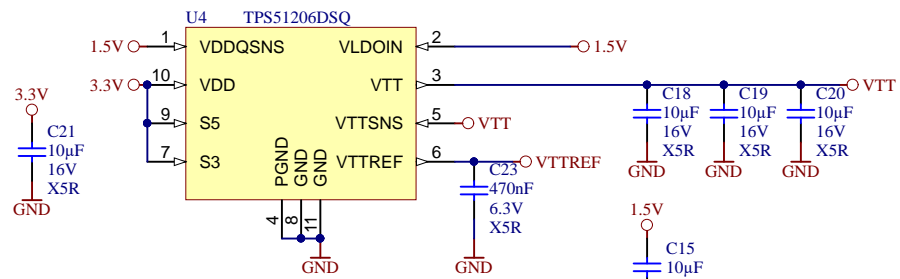
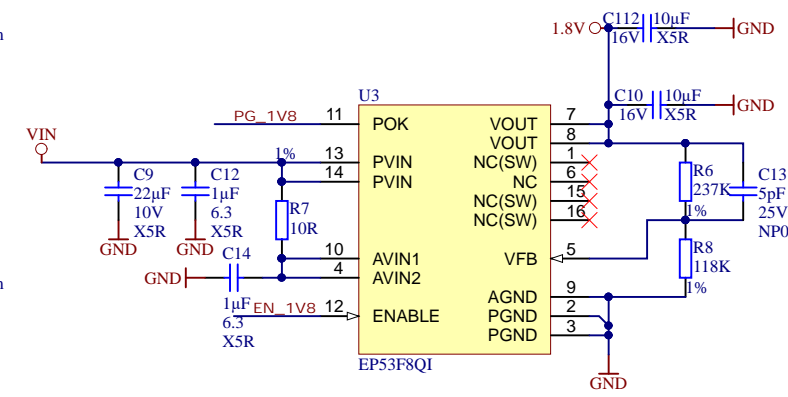
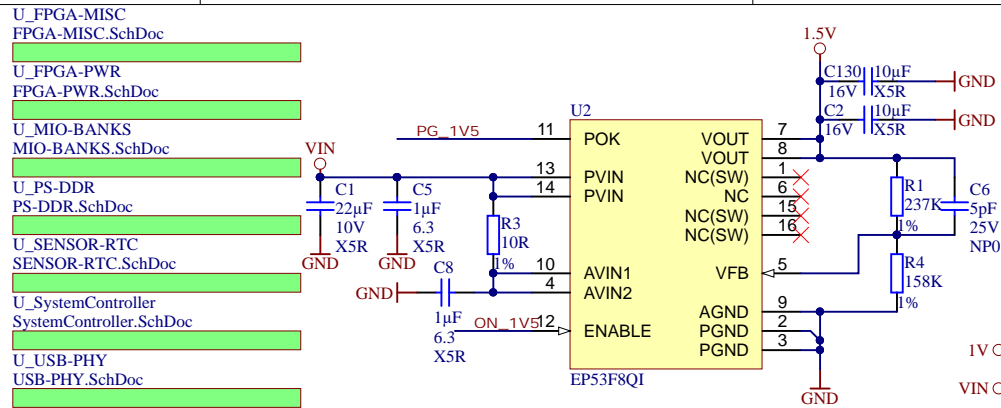
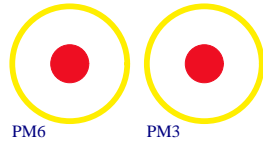
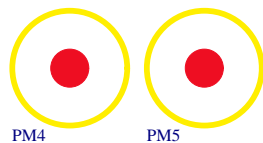
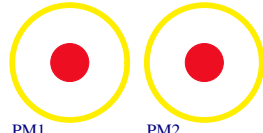
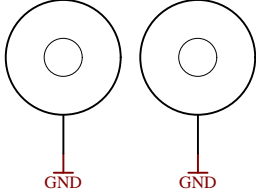


U_B2B-Connectors B2B-Connectors.SchDoc	U_FPGA-MISC FPGA-MISC.SchDoc
U_B13 B13.SchDoc	U_FPGA-PWR FPGA-PWR.SchDoc
U_B33-B34 B33-B34.SchDoc	U_MIO-BANKS MIO-BANKS.SchDoc
U_B35 B35.SchDoc	U_PS-DDR PS-DDR.SchDoc
U_DDR3-RAM DDR3-RAM.SchDoc	U_SENSOR-RTC SENSOR-RTC.SchDoc
U_eMMC eMMC.SchDoc	U_SystemController SystemController.SchDoc
U_ETH-PHY ETH-PHY.SchDoc	U_USB-PHY USB-PHY.SchDoc

Mount.Hole 3.2mm Mount.Hole 3.2mm

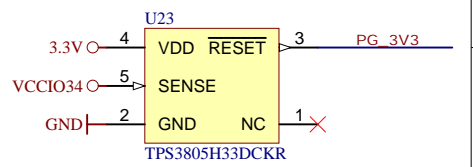
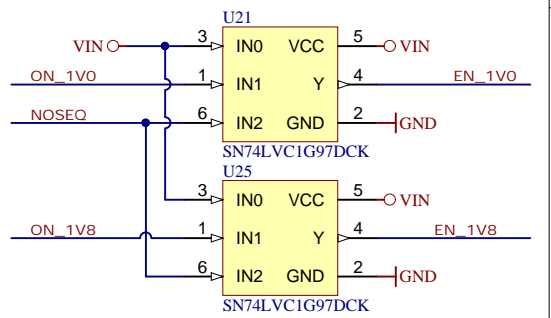
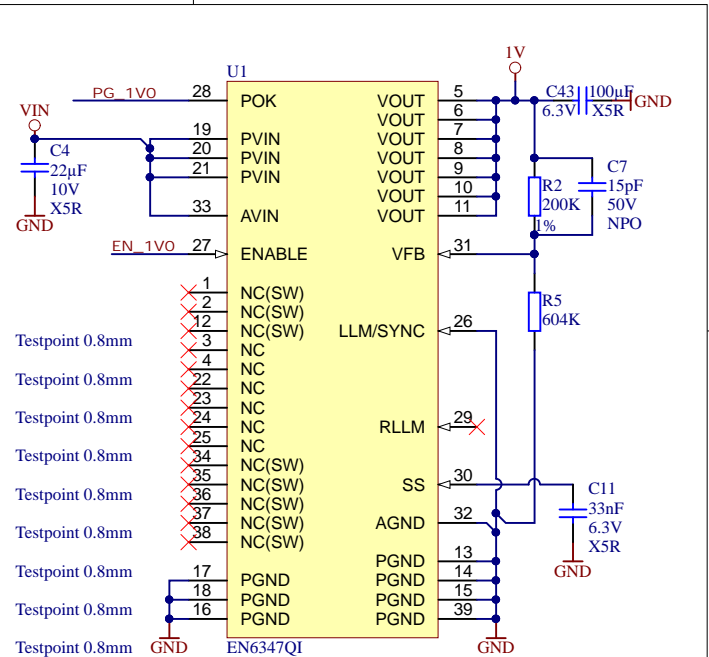


Mount.Hole 3.2mm Mount.Hole 3.2mm



- 1V ○ TP1 Testpoint 0.8mm
- VIN ○ TP2 Testpoint 0.8mm
- 1.5V ○ TP3 Testpoint 0.8mm
- 1.8V ○ TP4 Testpoint 0.8mm
- VTT ○ TP5 Testpoint 0.8mm
- VTTREF ○ TP6 Testpoint 0.8mm
- 3.3VIN ○ TP7 Testpoint 0.8mm
- VCCIO13 ○ TP9 Testpoint 0.8mm
- VCCIO33 ○ TP10 Testpoint 0.8mm
- VCCIO35 ○ TP12 Testpoint 0.8mm
- AVCC ○ TP13 Testpoint 0.8mm
- AVREF ○ TP14 Testpoint 0.8mm
- AGND ○ TP15 Testpoint 0.8mm
- GND ○ TP16 Testpoint 0.8mm
- GND ○ TP17 Testpoint 0.8mm
- GND ○ TP18 Testpoint 0.8mm
- GND ○ TP19 Testpoint 0.8mm
- GND ○ TP20 Testpoint 0.8mm

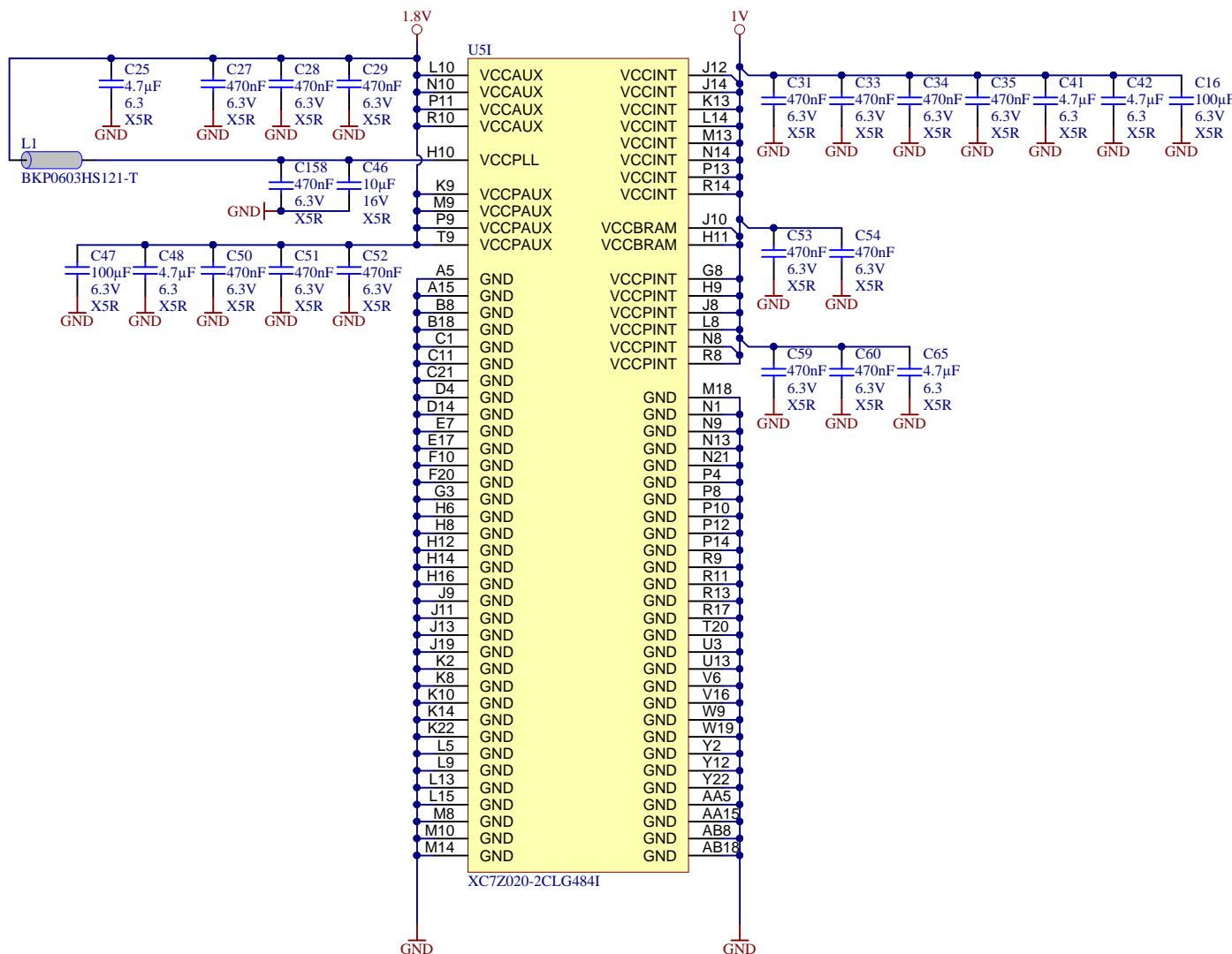
Serial
Serial
SerialNumber 6,3 x 6.3mm



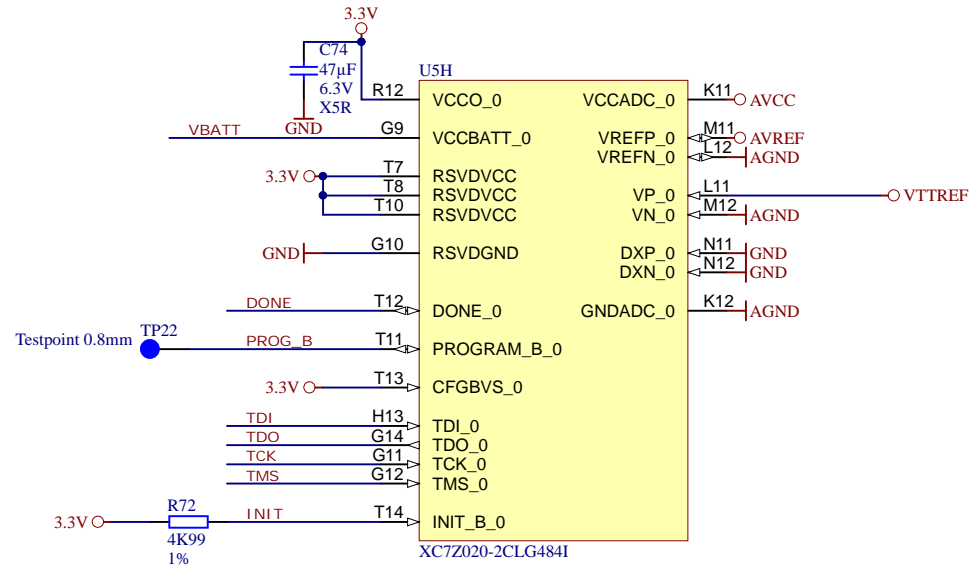
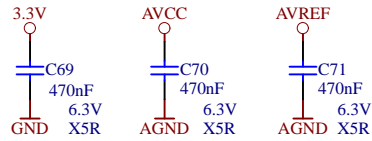
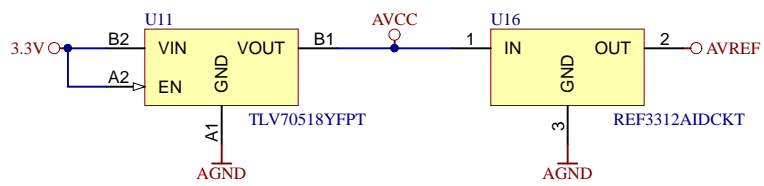
Assembly variant	62112GA
Created by	VY
Modified by	VY
Modified at	2020-15-01
SVN Revision	3656 [Locally Modified]



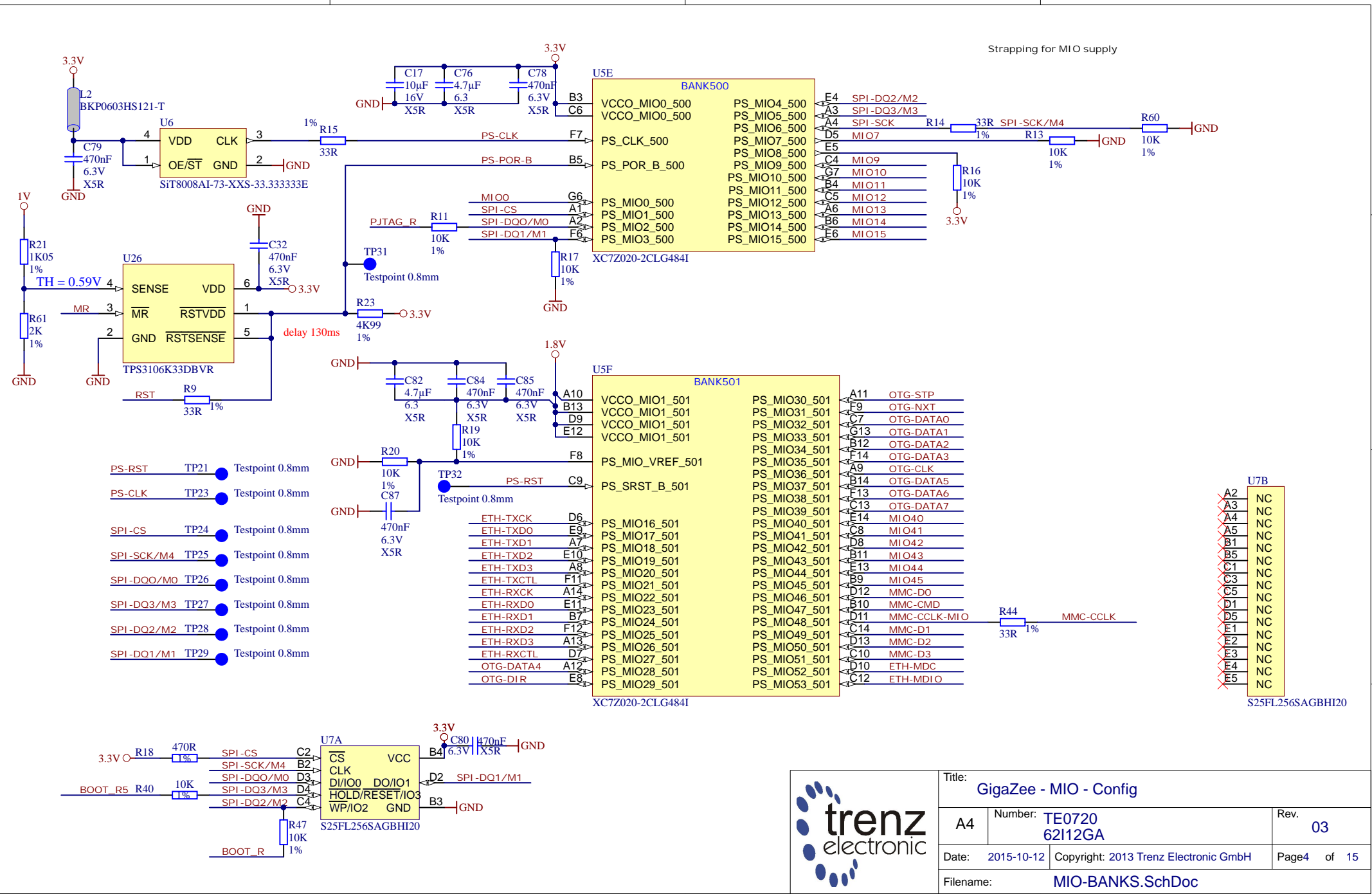
Title: GigaZee - Power		
A4	Number: TE0720 62112GA	Rev. 03
Date: 2015-10-12	Copyright: 2013 Trenz Electronic GmbH	Page 1 of 15
Drawn by: *	Filename: TE0720.SchDoc	



	Title: GigaZee - FPGA Power		
	A4	Number: TE0720 6212GA	Rev. 03
	Date: 2015-10-12	Copyright: 2013 Trenz Electronic GmbH	Page2 of 15
	Filename: FPGA-PWR.SchDoc		



Title: GigaZee - B0		
A4	Number: TE0720 62I12GA	Rev. 03
Date: 2015-10-12	Copyright: 2013 Trenz Electronic GmbH	Page3 of 15
Filename: FPGA-MISC.SchDoc		



Strapping for MIO supply

USE BANK500

VCCO_MIO0_500	PS_MIO4_500	E4	SPI-DQ2/M2
VCCO_MIO0_500	PS_MIO5_500	A3	SPI-DQ3/M3
PS_CLK_500	PS_MIO6_500	A4	SPI-SCK/M4
PS_POR_B_500	PS_MIO7_500	D5	MIO7
	PS_MIO8_500	E5	
	PS_MIO9_500	C4	MIO9
	PS_MIO10_500	G7	MIO10
	PS_MIO11_500	B4	MIO11
	PS_MIO12_500	C5	MIO12
	PS_MIO13_500	A6	MIO13
	PS_MIO14_500	B6	MIO14
	PS_MIO15_500	E6	MIO15

XC7Z020-2CLG484I

USE BANK501

VCCO_MIO1_501	PS_MIO30_501	A11	OTG-STP
VCCO_MIO1_501	PS_MIO31_501	F9	OTG-NXT
VCCO_MIO1_501	PS_MIO32_501	C7	OTG-DATA0
VCCO_MIO1_501	PS_MIO33_501	G13	OTG-DATA1
	PS_MIO34_501	B12	OTG-DATA2
	PS_MIO35_501	F14	OTG-DATA3
	PS_MIO36_501	A9	OTG-CLK
	PS_MIO37_501	B14	OTG-DATA5
	PS_MIO38_501	F13	OTG-DATA6
	PS_MIO39_501	C13	OTG-DATA7
	PS_MIO40_501	E14	MIO40
	PS_MIO41_501	C8	MIO41
	PS_MIO42_501	D8	MIO42
	PS_MIO43_501	B11	MIO43
	PS_MIO44_501	E13	MIO44
	PS_MIO45_501	B9	MIO45
	PS_MIO46_501	D12	MMC-D0
	PS_MIO47_501	B10	MMC-CMD
	PS_MIO48_501	D11	MMC-CCLK-MIO
	PS_MIO49_501	C14	MMC-D1
	PS_MIO50_501	D13	MMC-D2
	PS_MIO51_501	C10	MMC-D3
	PS_MIO52_501	D10	ETH-MDC
	PS_MIO53_501	C12	ETH-MDIO

XC7Z020-2CLG484I

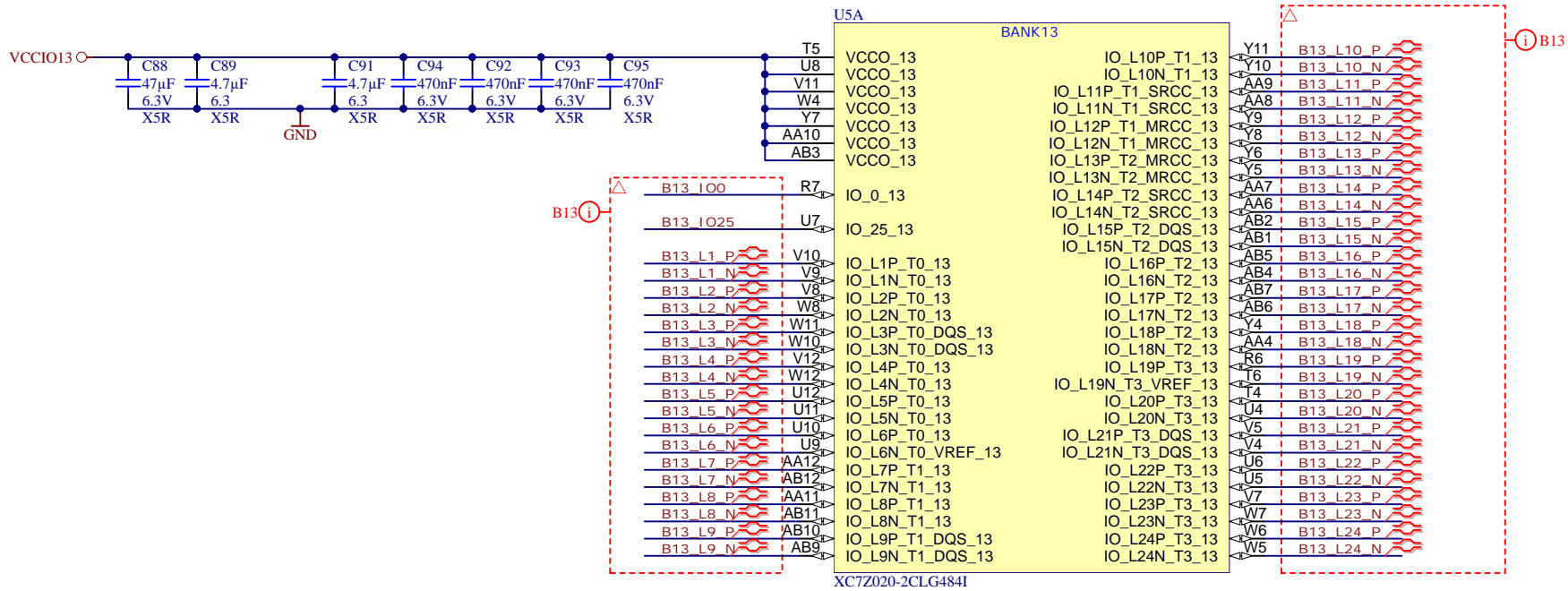
U7B

A2	NC
A3	NC
A4	NC
A5	NC
B1	NC
B5	NC
C1	NC
C3	NC
C5	NC
D1	NC
D5	NC
E1	NC
E2	NC
E3	NC
E4	NC
E5	NC

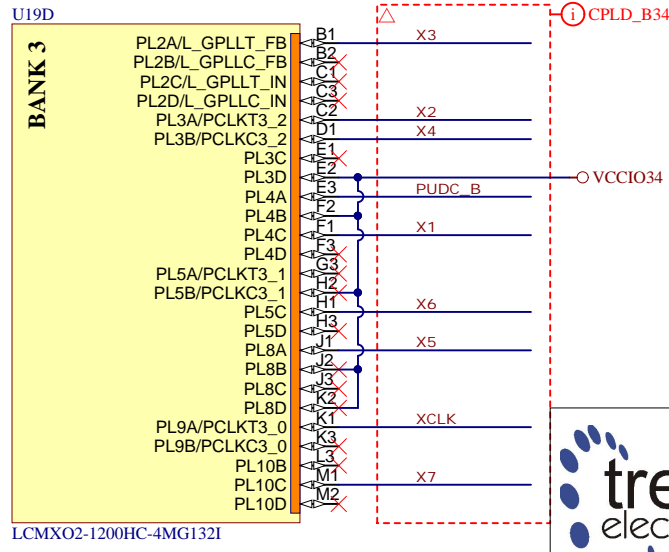
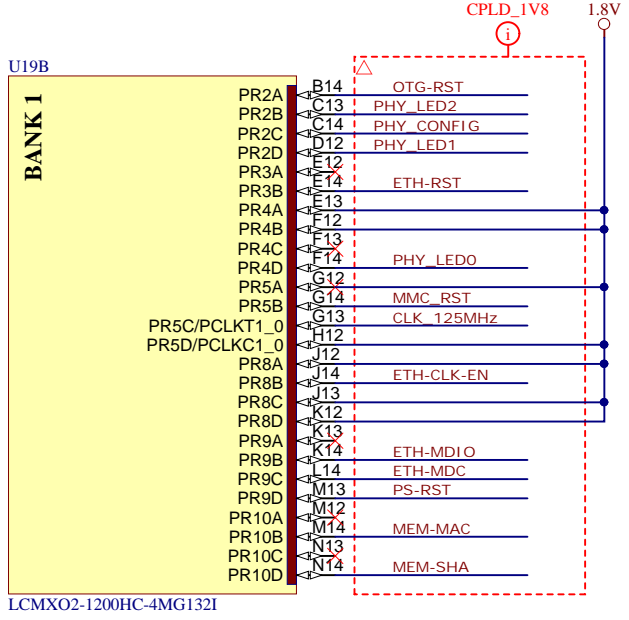
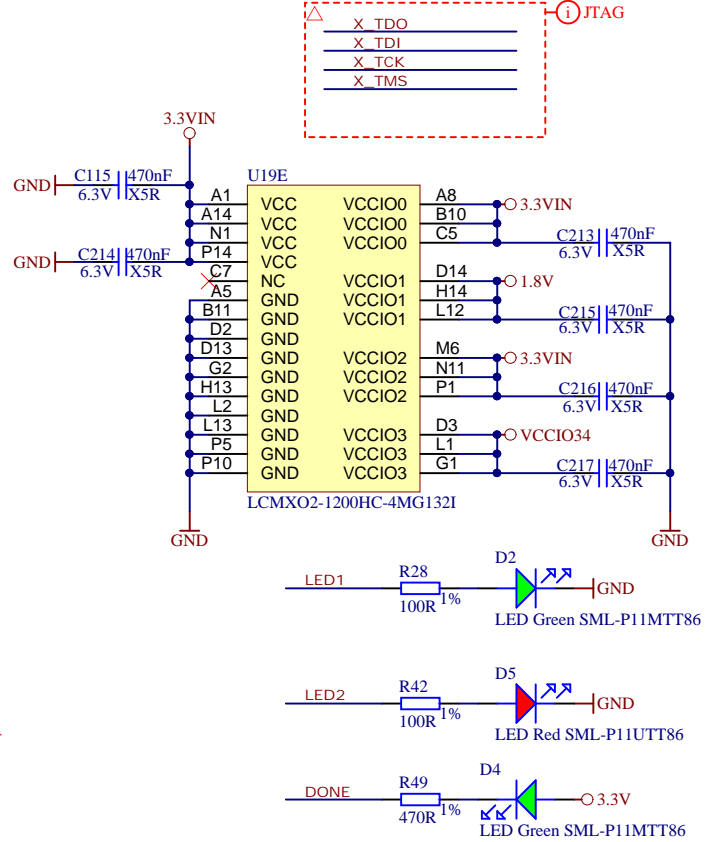
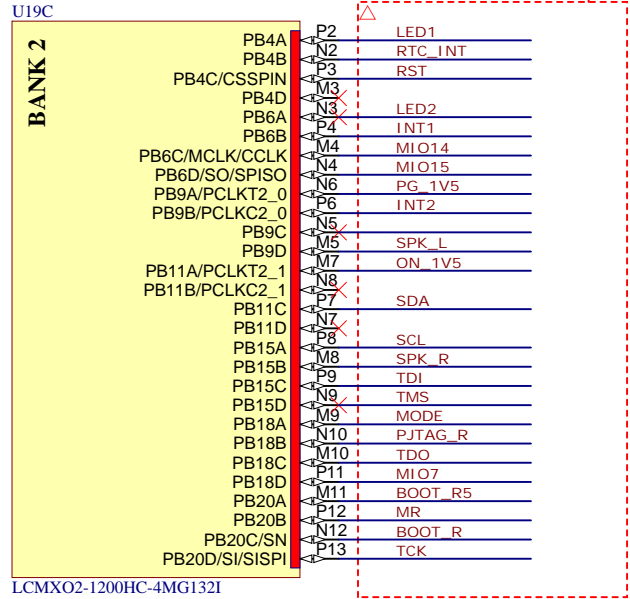
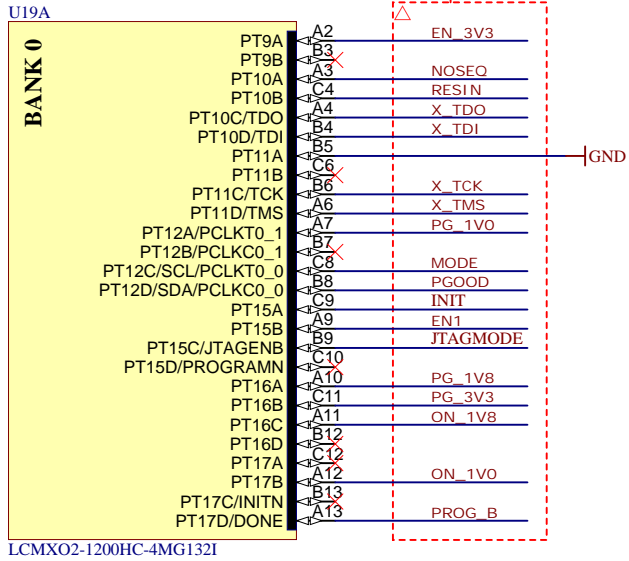
S25FL256SAGBH120



Title: GigaZee - MIO - Config		
A4	Number: TE0720 62112GA	Rev. 03
Date: 2015-10-12	Copyright: 2013 Trenz Electronic GmbH	Page4 of 15
Filename: MIO-BANKS.SchDoc		



Title: GigaZee - B13		
A4	Number: TE0720 62112GA	Rev. 03
Date: 2015-10-12	Copyright: 2013 Trenz Electronic GmbH	Page5 of 15
Filename: B13.SchDoc		



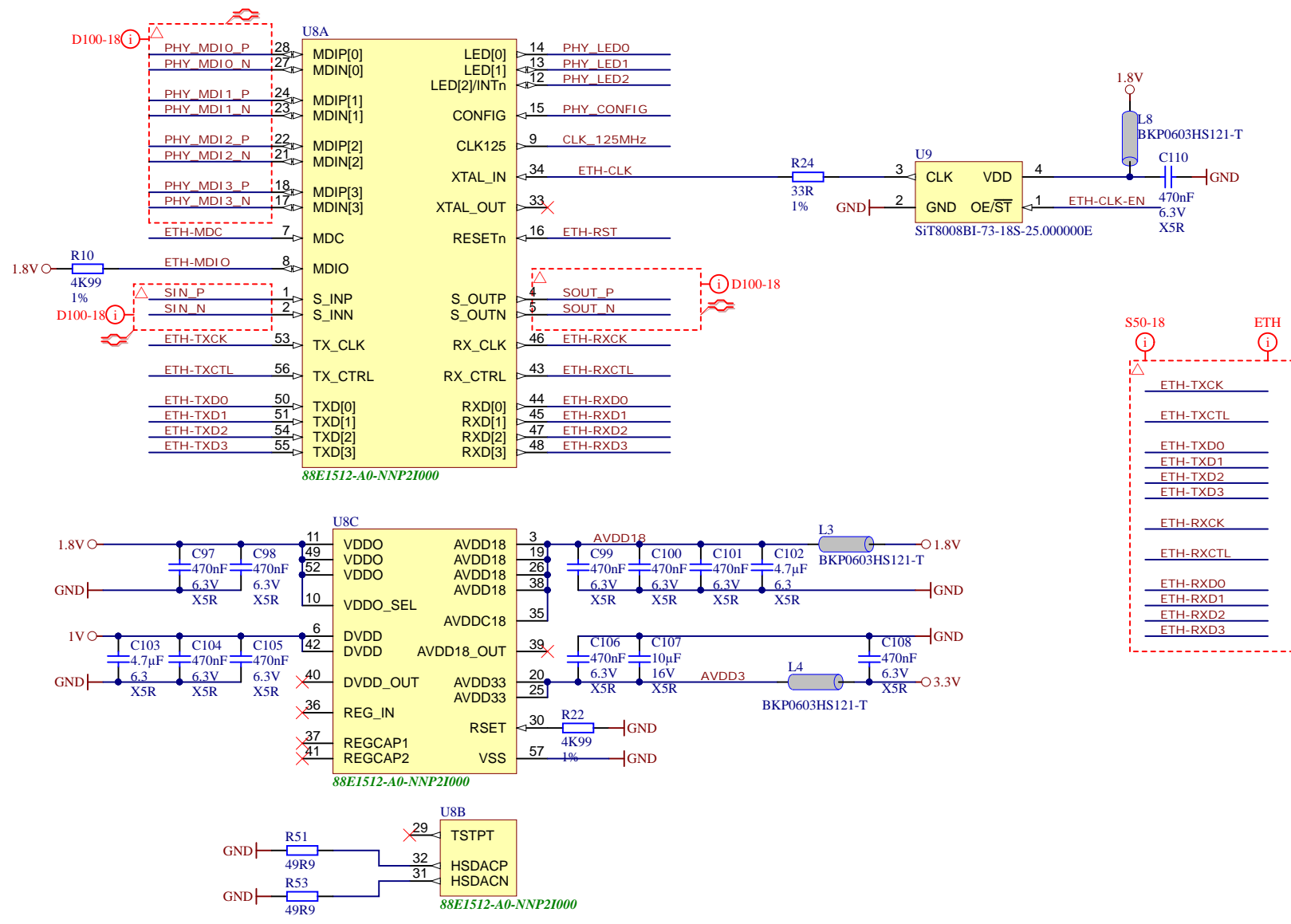
Title: GigaZee - System Controller		
A4	Number: TE0720 62112GA	Rev. 03
Date: 2015-10-12	Copyright: 2013 Trenz Electronic GmbH	Page6 of 15
Filename: SystemController.SchDoc		


A

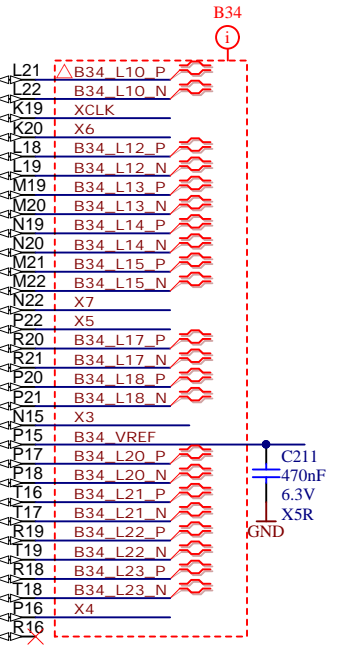
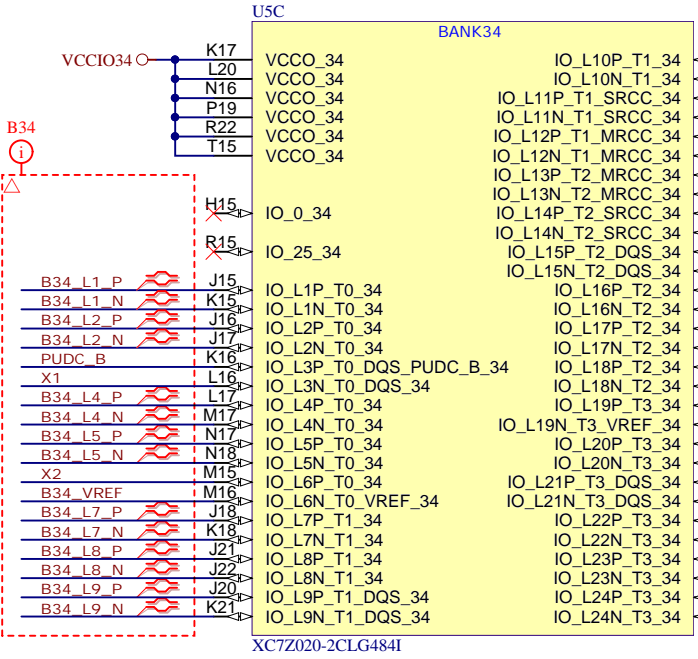
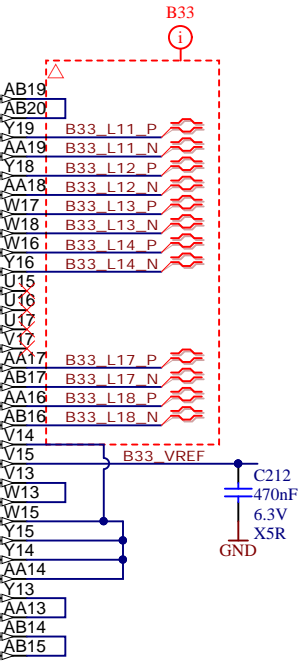
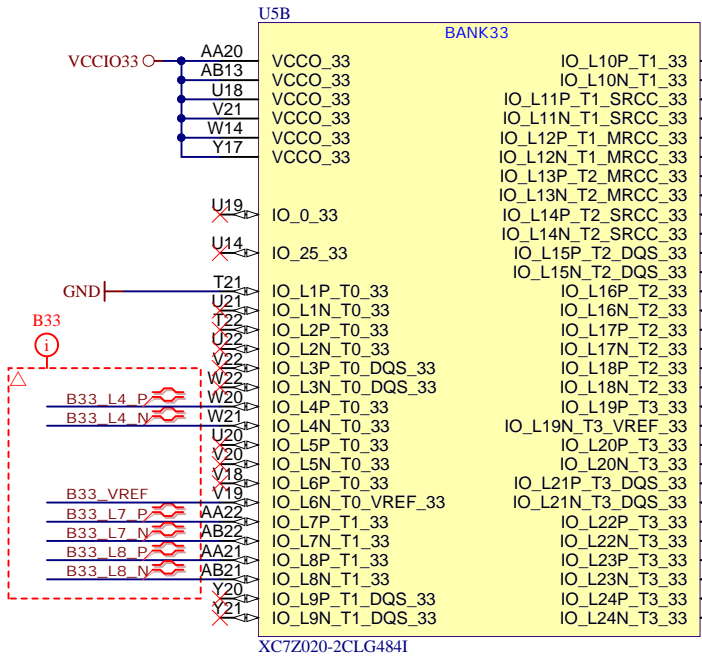
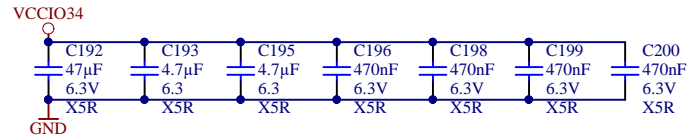
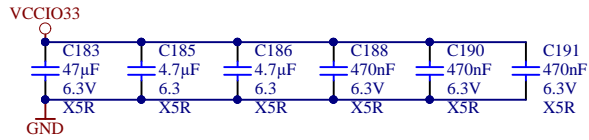
B

C

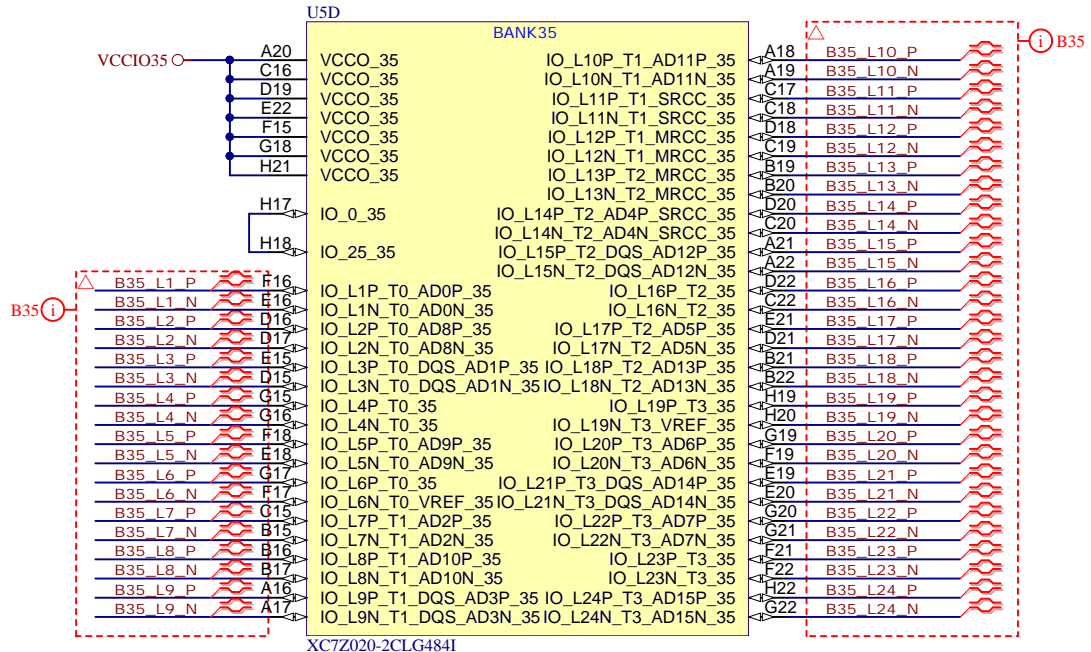
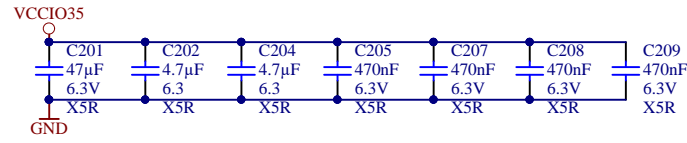
D



			Title: GigaZee - Ethernet	
			A4	Number: TE0720 62112GA
Date: 2015-10-12		Copyright: 2013 Trenz Electronic GmbH		Page 7 of 15
Filename: ETH-PHY.SchDoc				



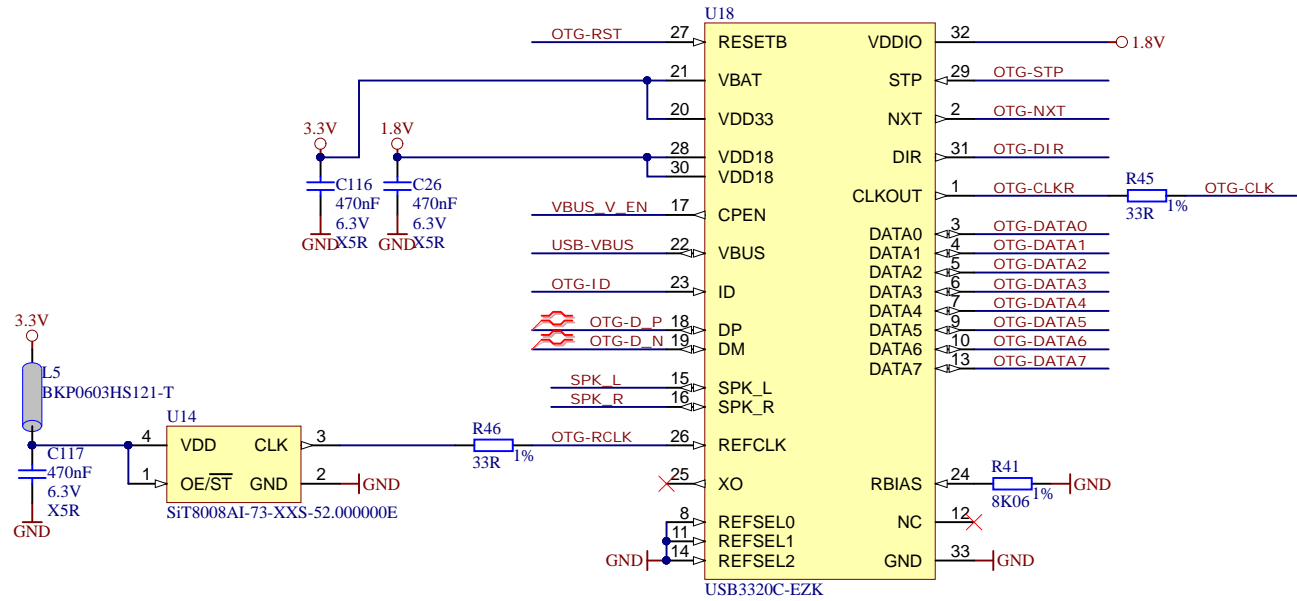
Title: GigaZee - B33 - B34		
A4	Number: TE0720 62112GA	Rev. 03
Date: 2015-10-12	Copyright: 2013 Trenz Electronic GmbH	Page8 of 15
Filename: B33-B34.SchDoc		



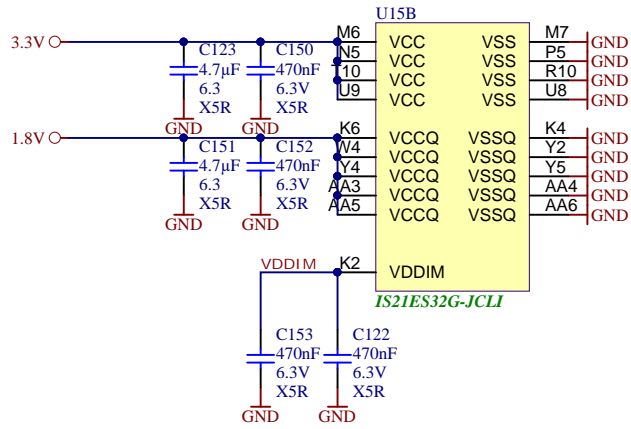
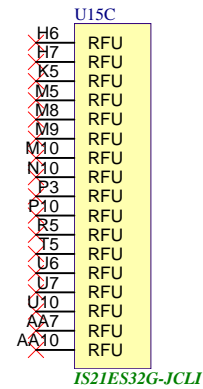
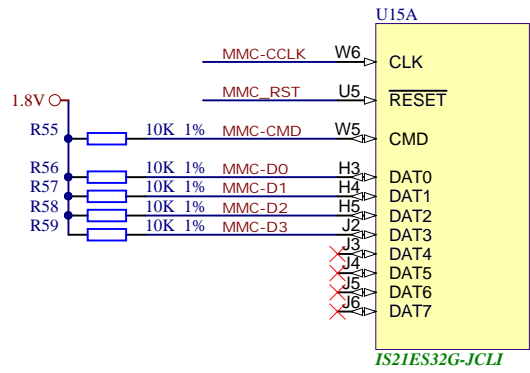
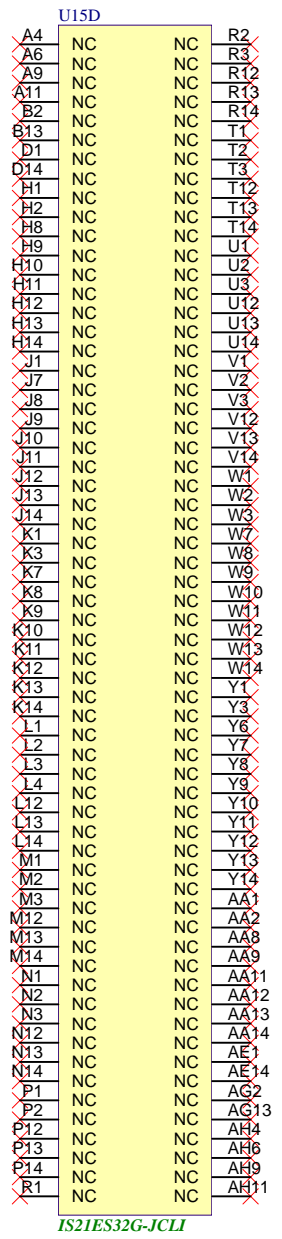
XC7Z020-2CLG484I



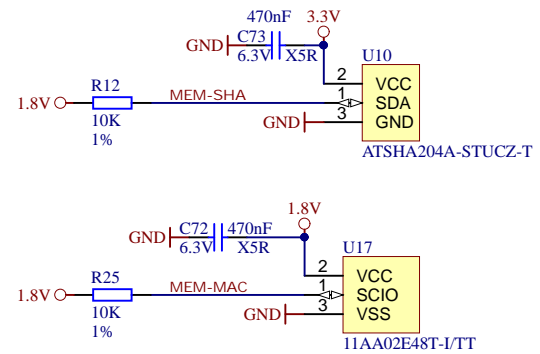
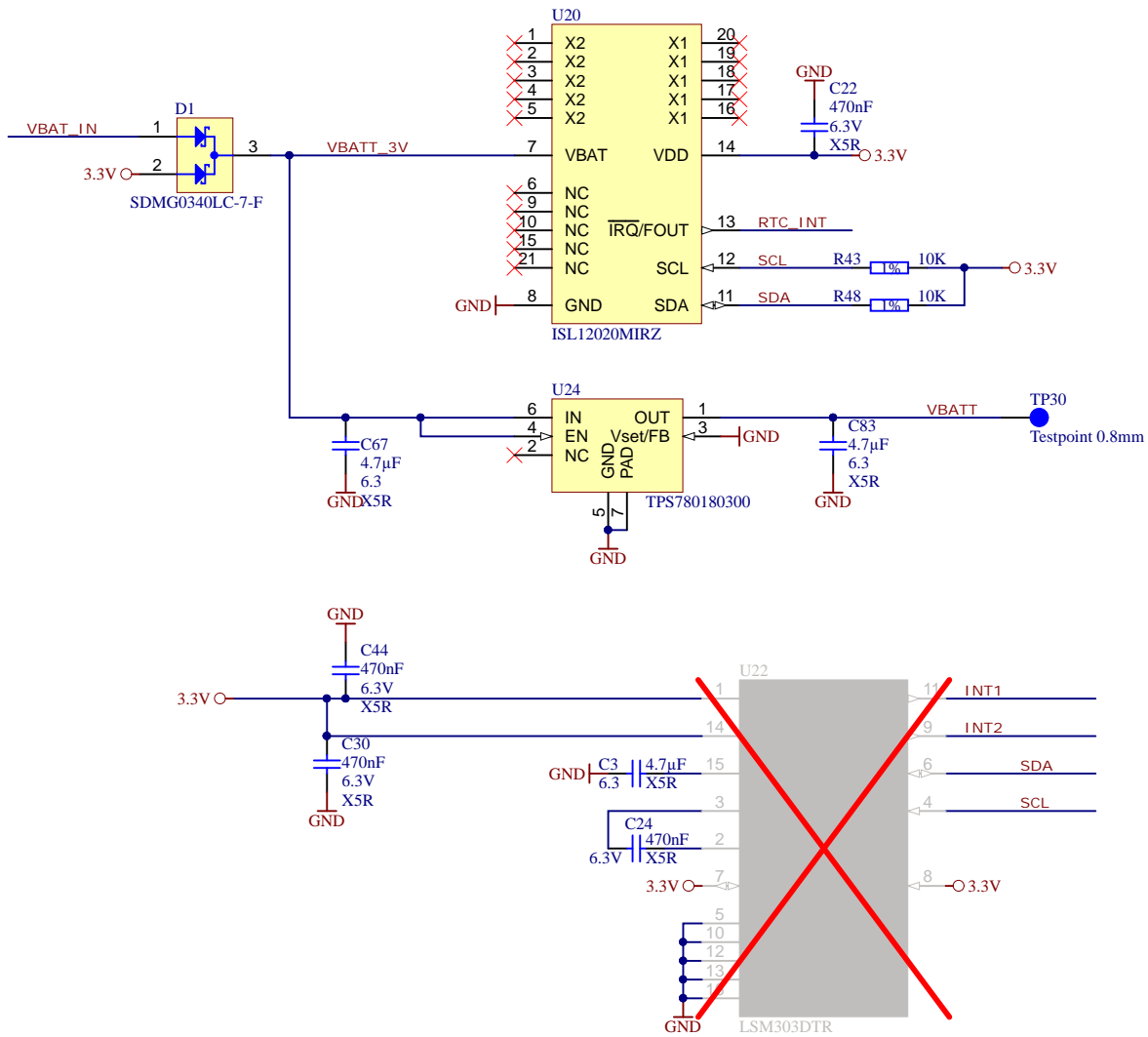
Title: GigaZee - B35		
A4	Number: TE0720 62112GA	Rev. 03
Date: 2015-10-12	Copyright: 2013 Trenz Electronic GmbH	Page9 of 15
Filename: B35.SchDoc		




	Title: GigaZee - USB		
	A4	Number: TE0720 62112GA	Rev. 03
	Date: 2015-10-12	Copyright: 2013 Trenz Electronic GmbH	Page 10 of 15
	Filename: USB-PHY.SchDoc		



Title: GigaZee - eNAND		
A4	Number: TE0720 62112GA	Rev. 03
Date: 2015-10-12	Copyright: 2013 Trenz Electronic GmbH	Page 11 of 15
Filename: eMMC.SchDoc		



	Title: GigaZee - RTC, MEMS, SHA, MAC		
	A4	Number: TE0720 62112GA	Rev. 03
	Date: 2015-10-12	Copyright: 2013 Trenz Electronic GmbH	Page 12 of 15
	Filename: SENSOR-RTC.SchDoc		

A

A

B

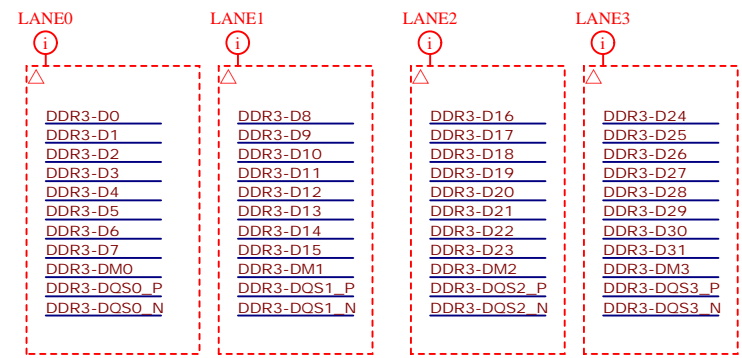
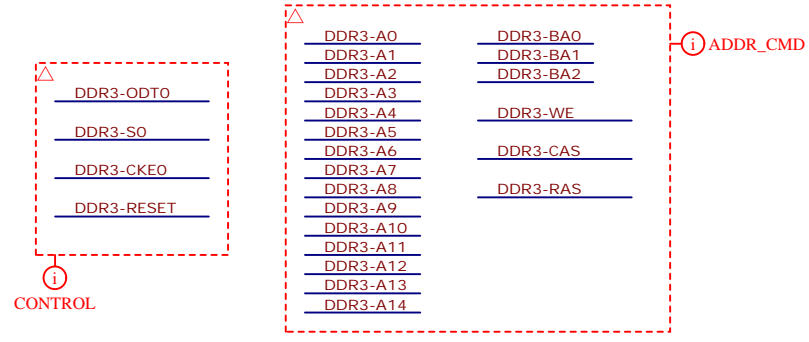
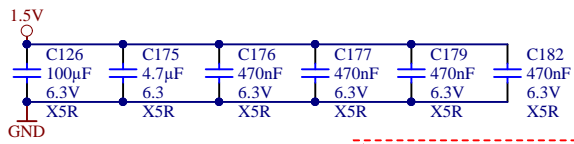
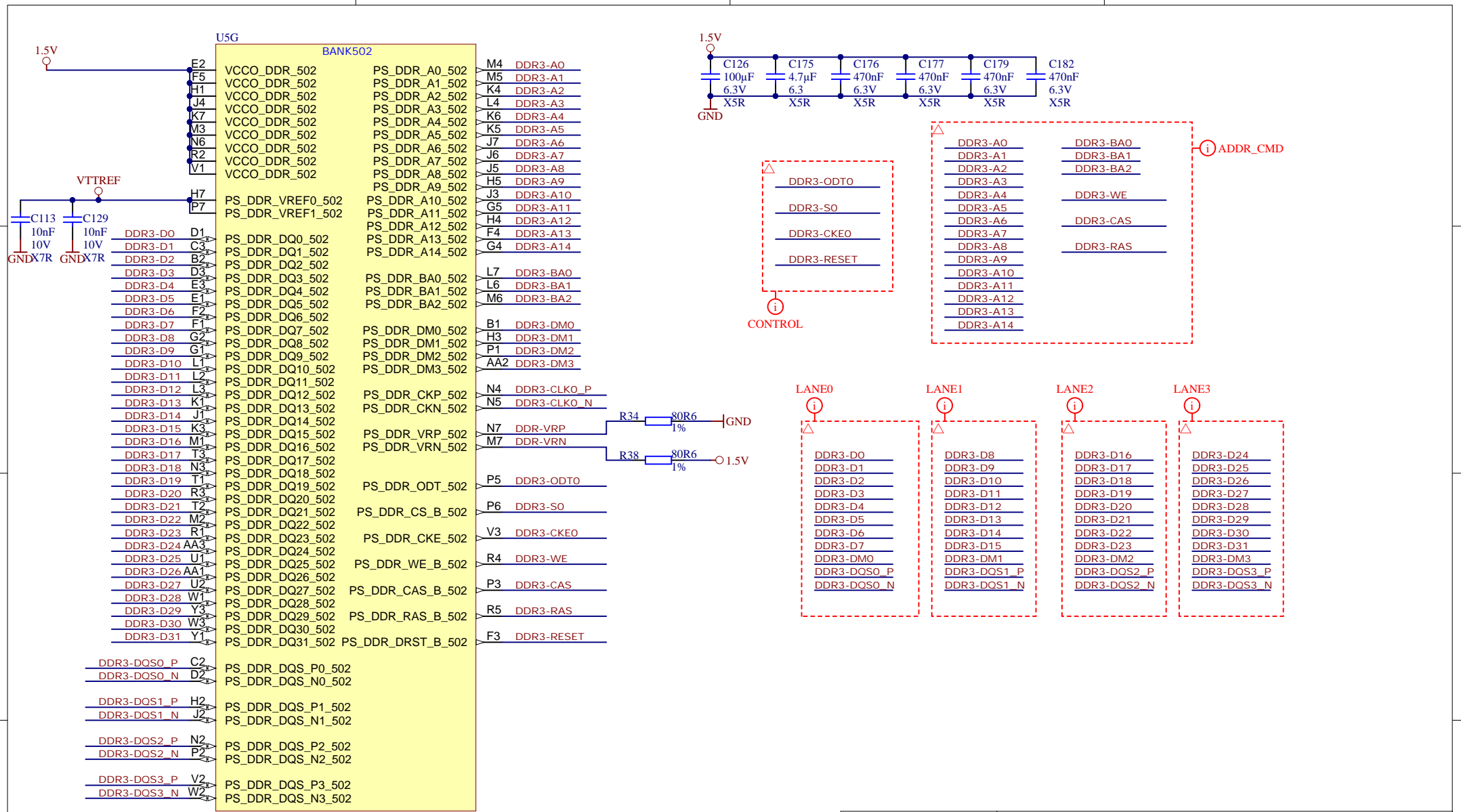
B

C

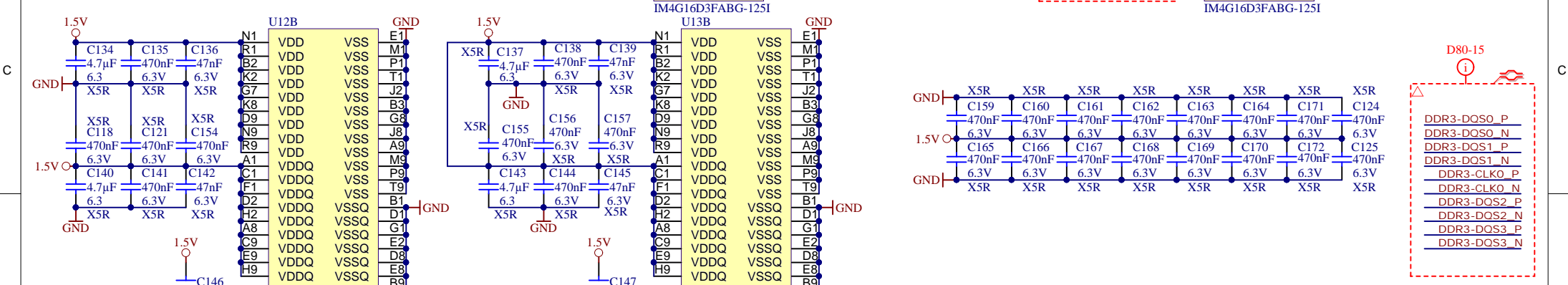
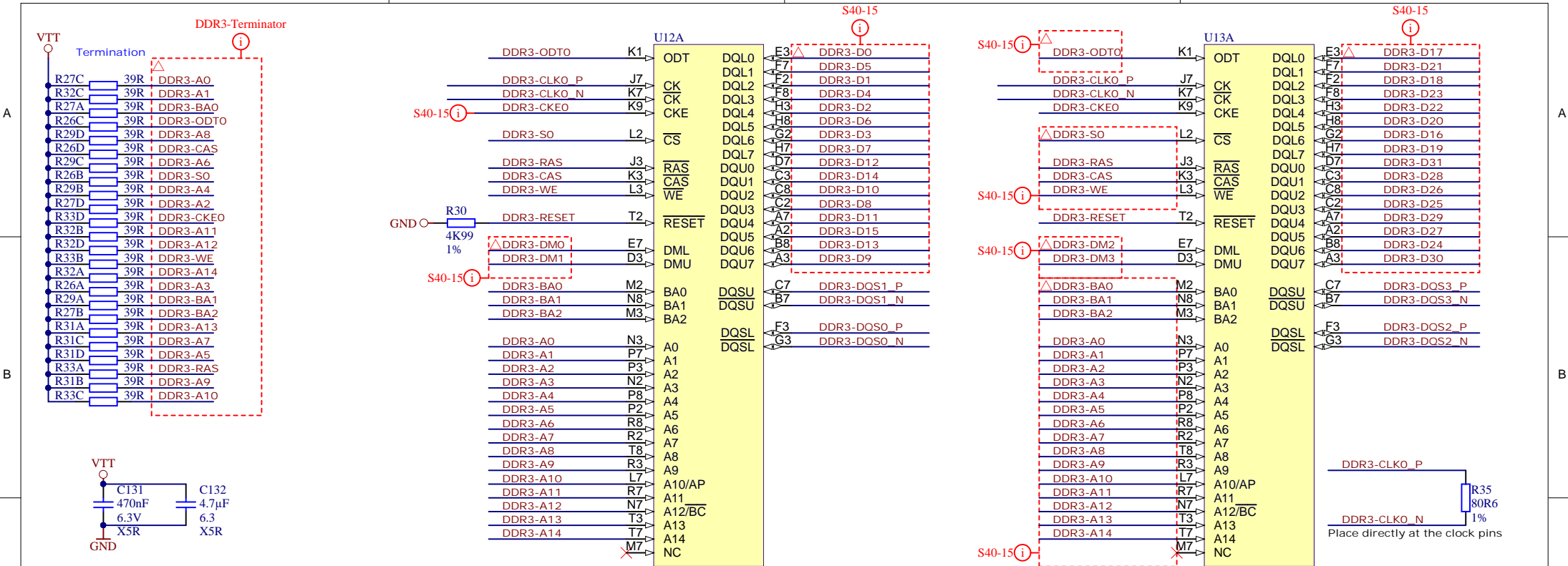
C

D

D



	Title: GigaZee - B502		
	A4	Number: TE0720 62112GA	Rev. 03
	Date: 2015-10-12	Copyright: 2013 Trenz Electronic GmbH	Page13 of 15
	Filename: PS-DDR.SchDoc		



Title: GigaZee - DDR3		
A4	Number: TE0720 62112GA	Rev. 03
Date: 2015-10-12	Copyright: 2013 Trenz Electronic GmbH	Page 14 of 15
Filename: DDR3-RAM.SchDoc		

1

2

3

4

A

A

B

B

C

C

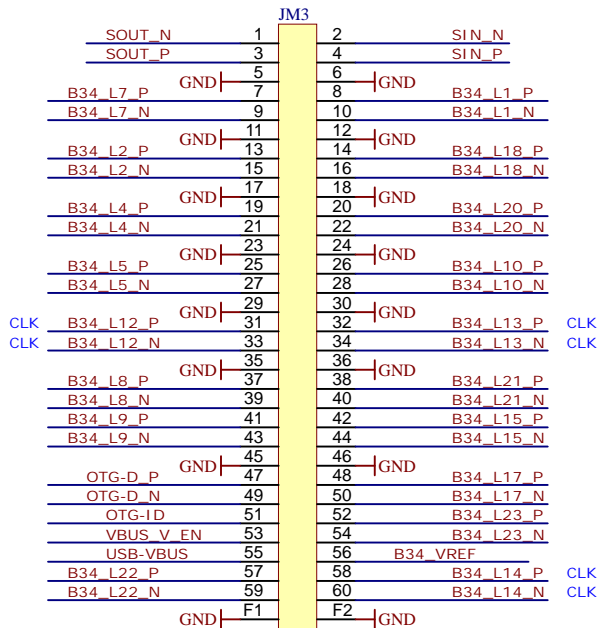
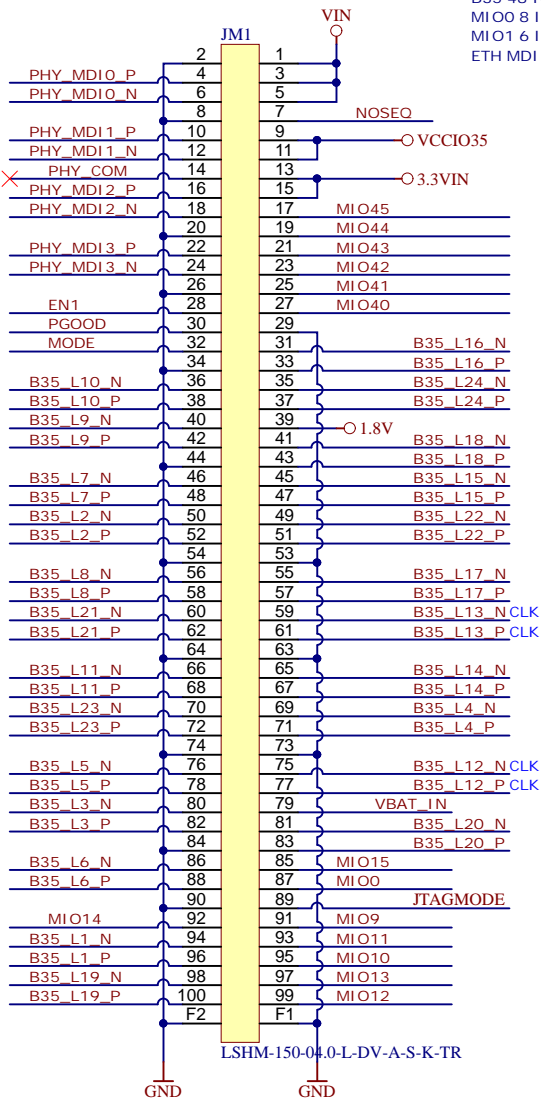
D

D

B35 48 IO, 24 LVDS Pairs
 MIO0 8 IO, 3.3V
 MIO1 6 IO 1.8V
 ETH MDI Copper

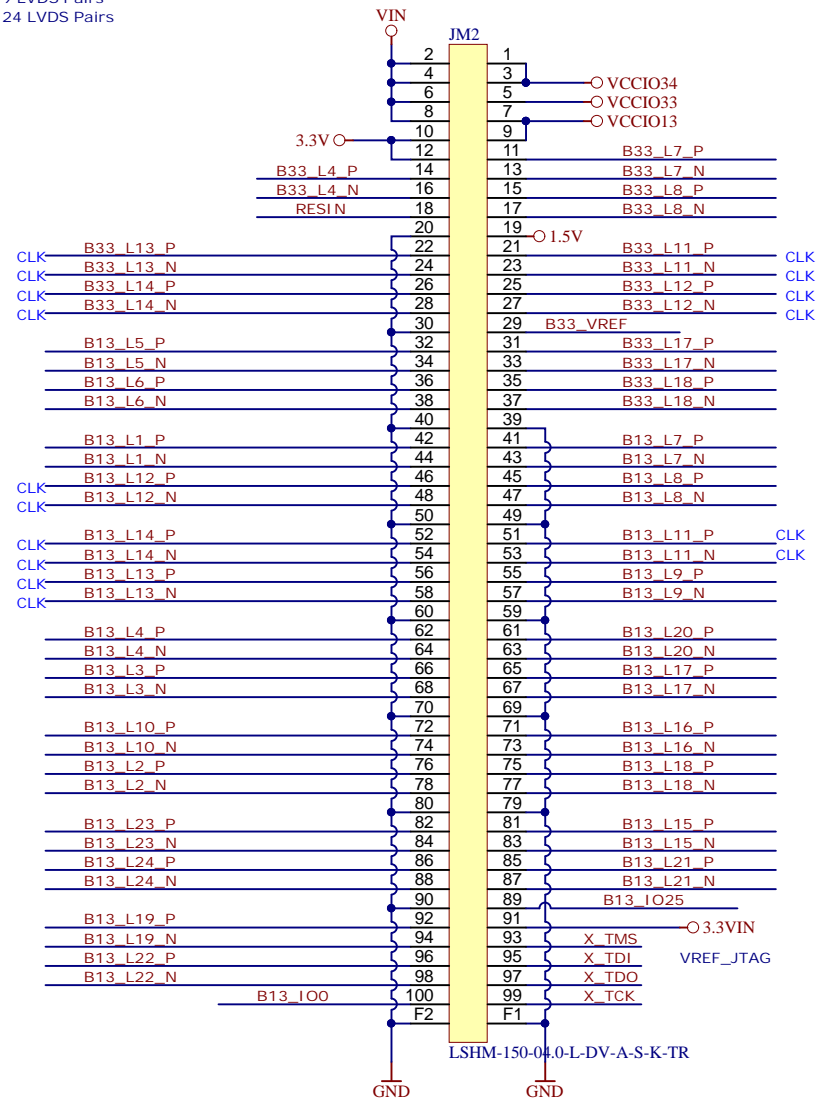
B34 36 IO, 18 LVDS Pairs
 USB OTG
 ETH SGMII

B33 18 IO, 9 LVDS Pairs
 B13 48 IO, 24 LVDS Pairs
 B13 2 IO



LSHM-130-04.0-L-DV-A-S-K-TR

Top of Board



LSHM-150-04.0-L-DV-A-S-K-TR



Title: GigaZee - B2B Connector		
A4	Number: TE0720 62112GA	Rev. 03
Date: 2015-10-12	Copyright: 2013 Trenz Electronic GmbH	Page 15 of 15
Filename: B2B-Connectors.SchDoc		

1

2

3

4