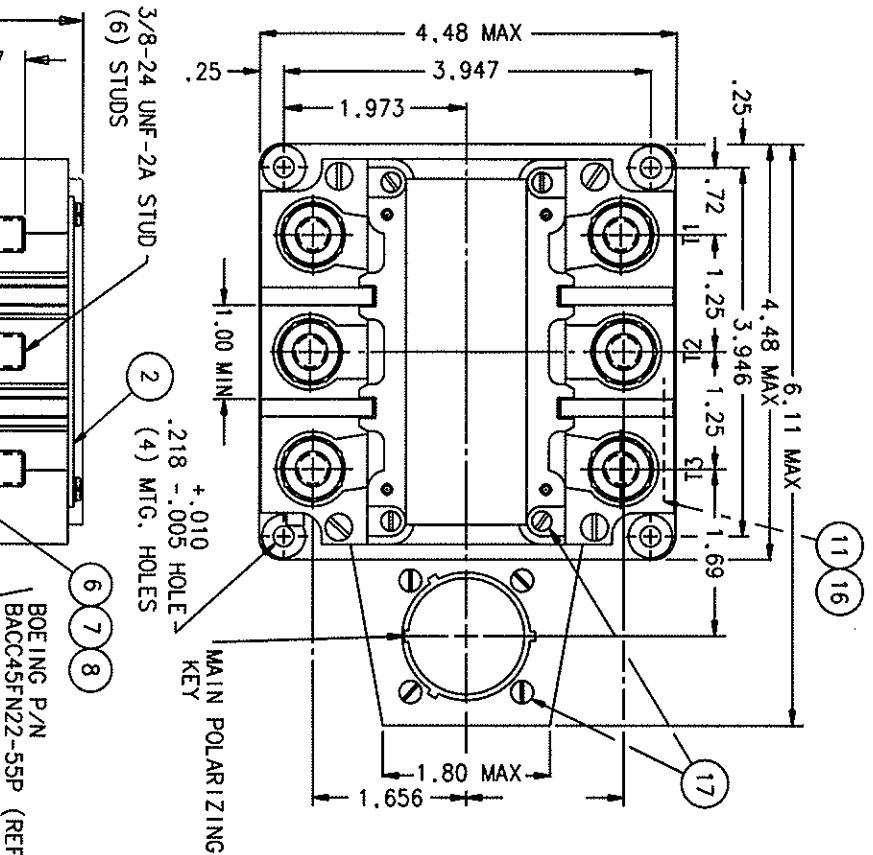


FAA/PMA

REV	DESCRIPTION	DATE	APPROVED
P	39520 BOEING* ADDED TO VIB SPEC & CONNECTOR 4.48 MAX WAS 4.45	99/05/11	RS
R	41634 .43 & .92 REMOVED	00/02/18	RS

B-484



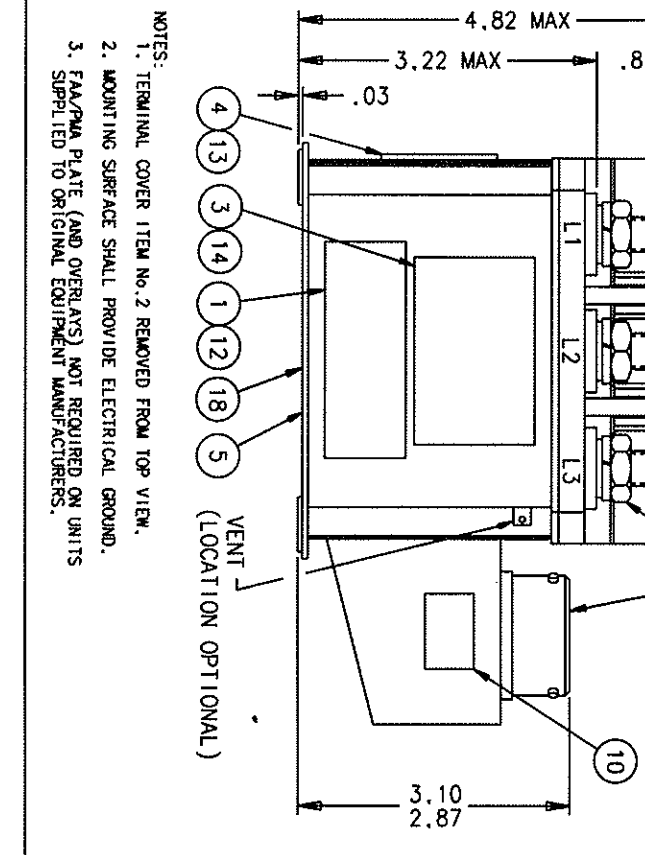
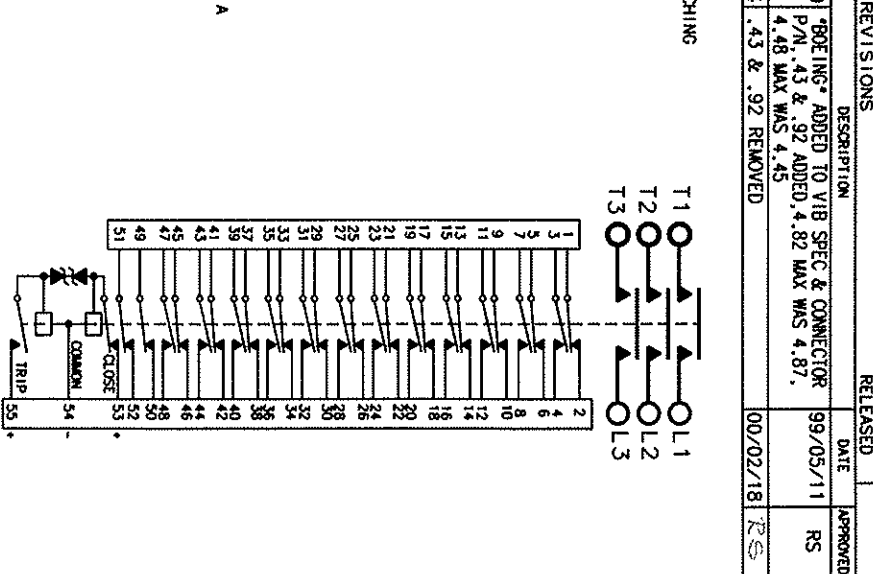
CONSTRUCTION
 MAIN CONTACTS CONFIGURATION
 VOLTAGE 3 PST (DOUBLE BREAK) MAGNETIC LATCHING
 CURRENT RES. 115/200 VOLTS FREQ. 400 HZ.
 500 AMP 115/200 VAC CONTINUOUS
 500 AMP 115/200 VAC
 6500 AMP

INTERLUPT
 AUXILIARY CONTACTS CONFIGURATION
 VOLTAGE 12 SPST N.O., 14 SPST N.C.
 CURRENT 115 VAC 400 HZ 28 VDC
 7.5 AMP

COIL DATA
 DUTY CYCLE CONTINUOUS (SELF - DE-ENERGIZING)
 OPERATING VOLTAGE 15 VOLTS
 CLOSE MIN. 29 VOLTS
 TRIP MAX. 15 VOLTS
 MAX. 29 VOLTS

RESISTANCE CLOSING 3 OHMS
 TRIP 5 OHMS

ENVIRONMENTAL DATA
 OPERATING TEMP. -54°C MIN. +71°C MAX.
 VIBRATION PER BOEING D6-13014, AREA 1, CAT. A
 ACCELERATION MIL-E-5272 METHOD 4.16.3
 SHOCK MIL-E-5272 METHOD 4.15.5
 ALTITUDE 45,000 FT.
 OPERATING TIME 15 MSEC MAX AT 22 VDC TO 29 VDC
 CLOSE TRIP 20 MSEC MAX AT 15 VDC TO 29 VDC
 LIFE ELECTRICAL 50,000 CYCLES MIN.
 LIFE MECHANICAL 100,000 CYCLES MIN.
 WEIGHT MAX. 4.5 LBS.



QTY	PART OR IDENTIFYING NO	DESCRIPTION	FINISH	DRAWING OR SPECIFICATION	MATERIAL OR NOTE
18	AR 54100-001	SILASTIC-BLACK GLYCOL			
17	AR 54102-001	GLYCOL			
16	1 39529-047	OVERLAY			
14	1 39529-009	OVERLAY			
13	1 39529-008	OVERLAY			
12	1 39529-002	OVERLAY			
11	1 58400-033	PLATE-FAA/PMA			
10	1 25685-001	WARNING PLATE			
8	6 51807-230	WASHER - .375 X .687 X .094			MS35338-141 S STEEL
7	6 51704-010	WASHER - .390 X .625 X .037 FLAT			AN960C6161 S STEEL
6	6 50407-370	NUT - 1/8-24 X 5/8 X 3/28 HEX			MS1972-3 S STEEL
3	36805-020	CONTRACTOR ASSEMBLY - PRIMARY			
4	1 36755-001	PLATE-NAME			
3	1 41577-001	PLATE-NAME			
2	2 36456-010	TERMINAL-COVER			
1	1 36749-001	PLATE-CAUTION			

REF: BOEING 60B00010-30
 [QAM]
 HARTMAN ELECTRICAL MANUFACTURING
 MASSFIELD, OHIO

CONTACTOR - 3PST MAGN. LATCH
 500 AMP 115/200V 400HZ
 093

NOTES:
 1. TERMINAL COVER ITEM NO. 2 REMOVED FROM TOP VIEW.
 2. MOUNTING SURFACE SHALL PROVIDE ELECTRICAL GROUND.
 3. FAA/PMA PLATE (AND OVERLAYS) NOT REQUIRED ON UNITS SUPPLIED TO ORIGINAL EQUIPMENT MANUFACTURERS.