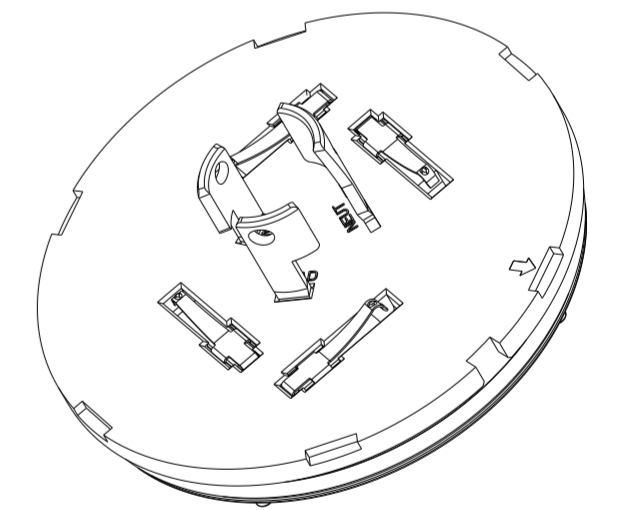
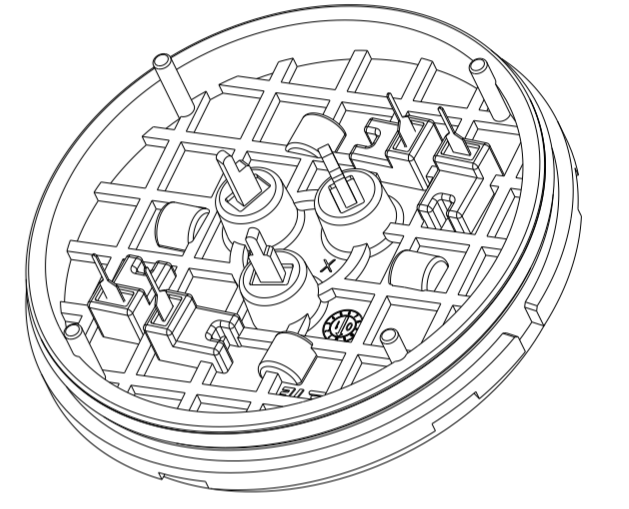
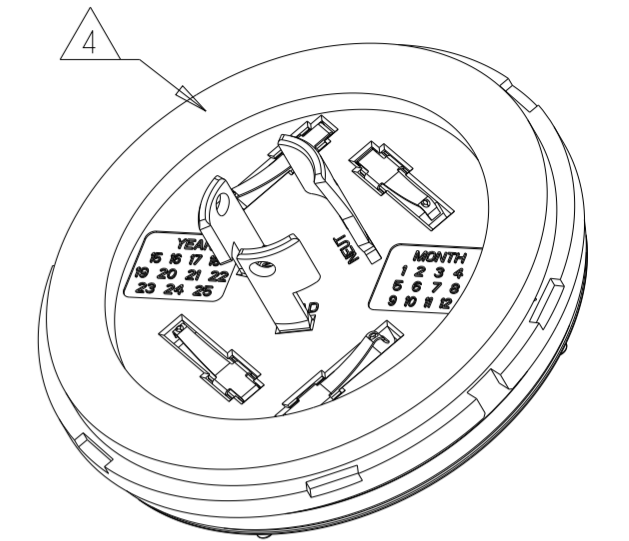
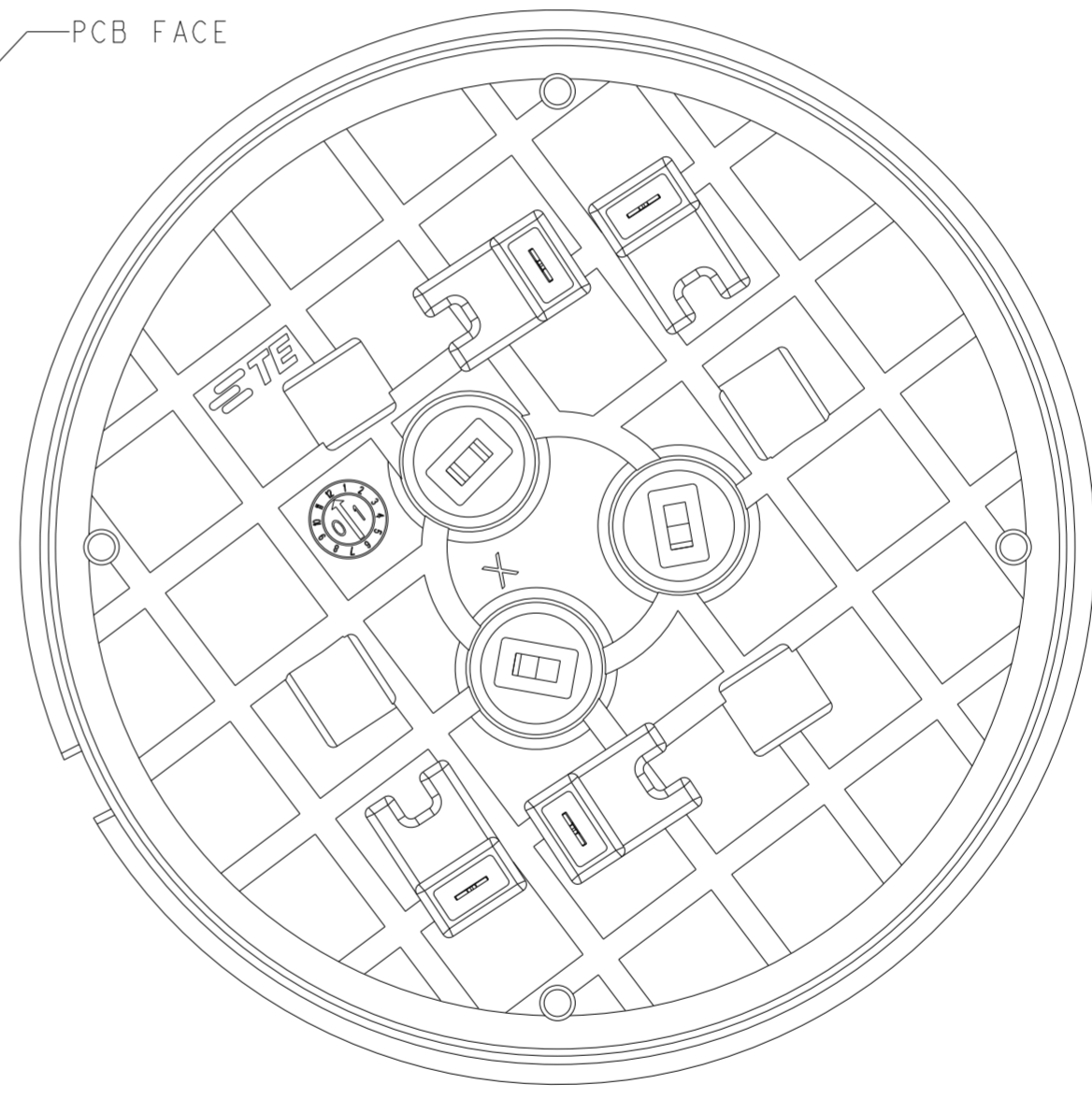
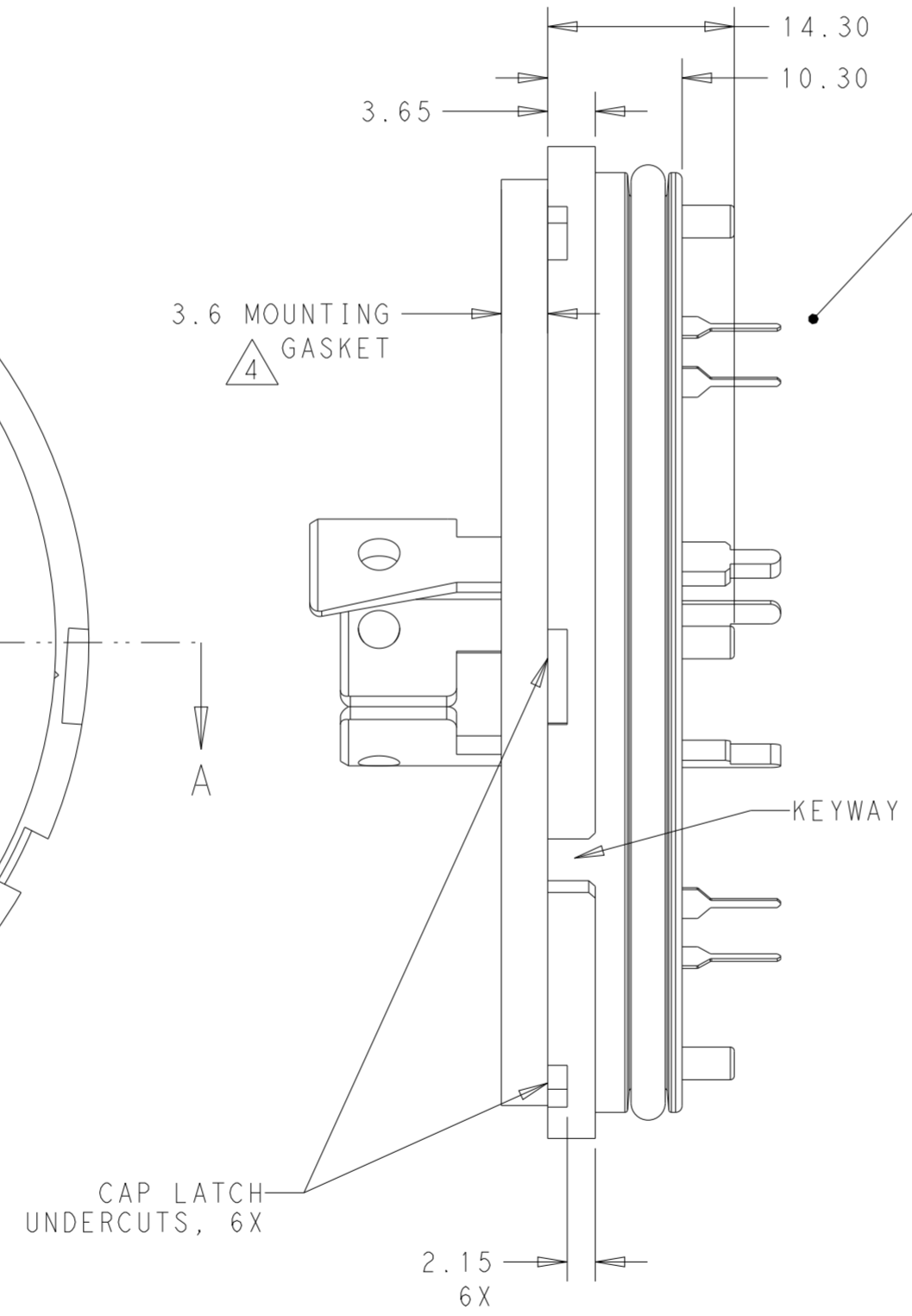
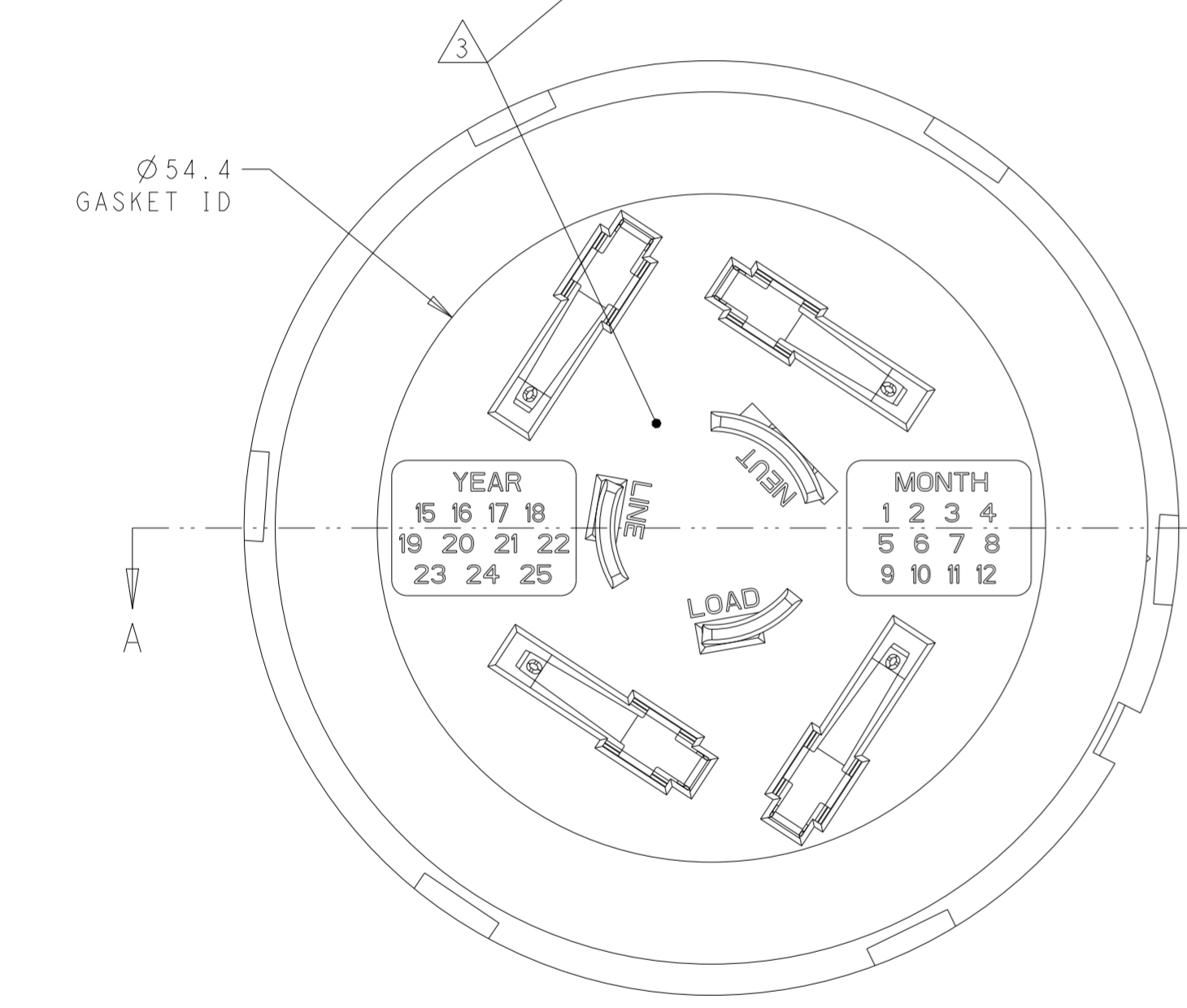
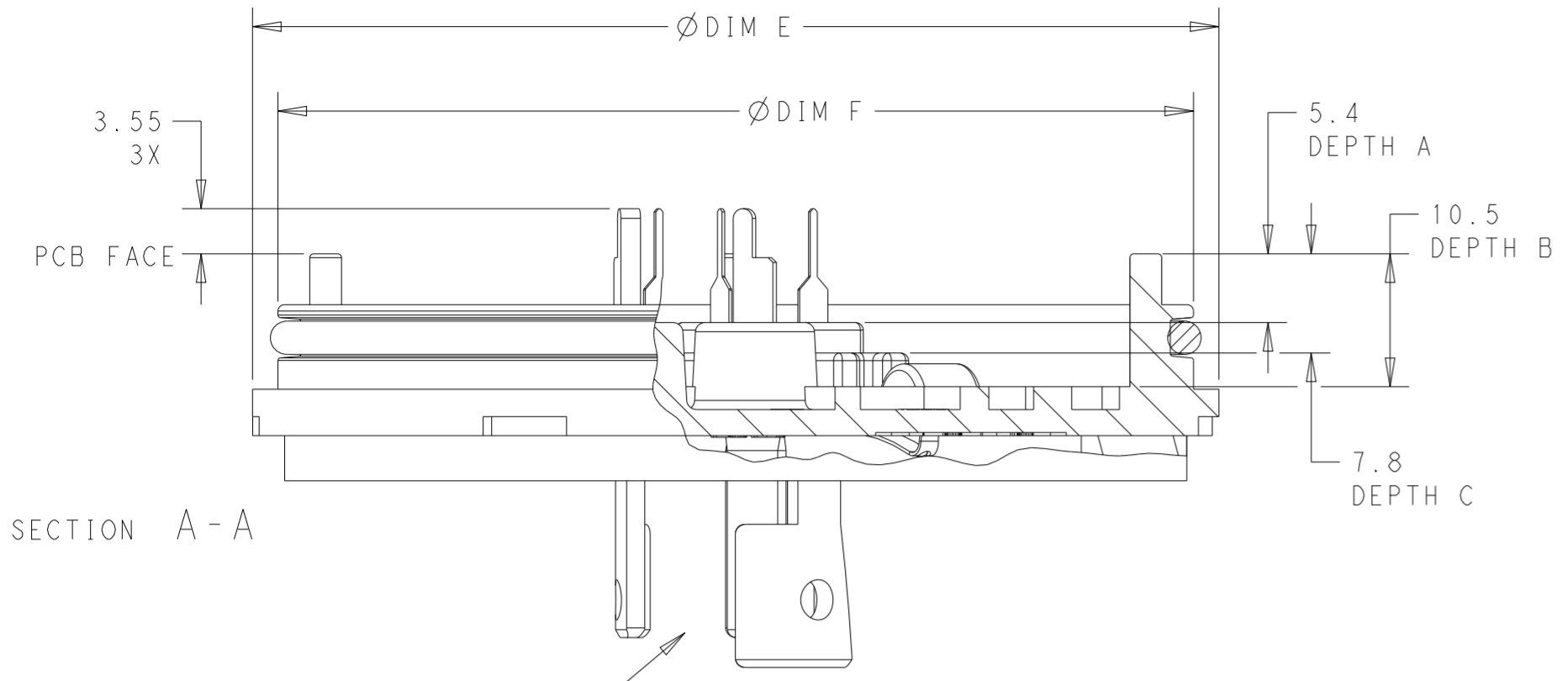


THIS DRAWING IS UNPUBLISHED. RELEASED FOR PUBLICATION 20  
 © COPYRIGHT 20 BY - ALL RIGHTS RESERVED.

REVISONS		DATE	DWN	APVD
P	LTR	DESCRIPTION		
A7		REVISED PER ECR-18-019587	14DEC2018	JS DD
B		REVISED PER ECR-21-109451	17AUG2021	JL MM

NOTES:

- 1 MATERIALS:  
 HOUSING: PBT  
 DIMMING CONTACTS (QTY. 4): COPPER ALLOY  
 LINE VOLTAGE CONTACTS (QTY. 3): COPPER ALLOY  
 GASKET: VINYL/NITRILE FOAM  
 O-RING: SILICONE RUBBER
- 2 FINISH:  
 DIMMING CONTACTS: NICKEL UNDERPLATE ENTIRE  
 CONTACT 0.127 µm MIN THICK. SELECTIVE GOLD PLATE CONTACT  
 MATING AREA (MATING FACE SIDE ONLY) 0.76 µm MIN THICK.  
 MATTE TIN PLATE TAB ON BOTH SIDES 0.30 µm MIN THICK.  
 LINE VOLTAGE CONTACTS: MATTE TIN PLATE
- 3 MATING INTERFACE PER ANSI C136.41-2013.
- 4 ADHESIVE BACKED GASKET SUPPLIED BUT NOT INSTALLED
- 5 MATING CAP TE P/N: 2213748-X



1-2213730-1 SHOWN

2213730-1 SHOWN

Ø77.00	Ø73.00	Ø66.00	Ø69.00	Ø72.00	Ø76.00	1-2213730-1
Ø77.00	Ø73.00	Ø66.00	Ø69.00	Ø72.00	Ø76.00	2213730-1
DIM Y	DIM X	DIM N	DIM M	DIM F	DIM E	PART NO.

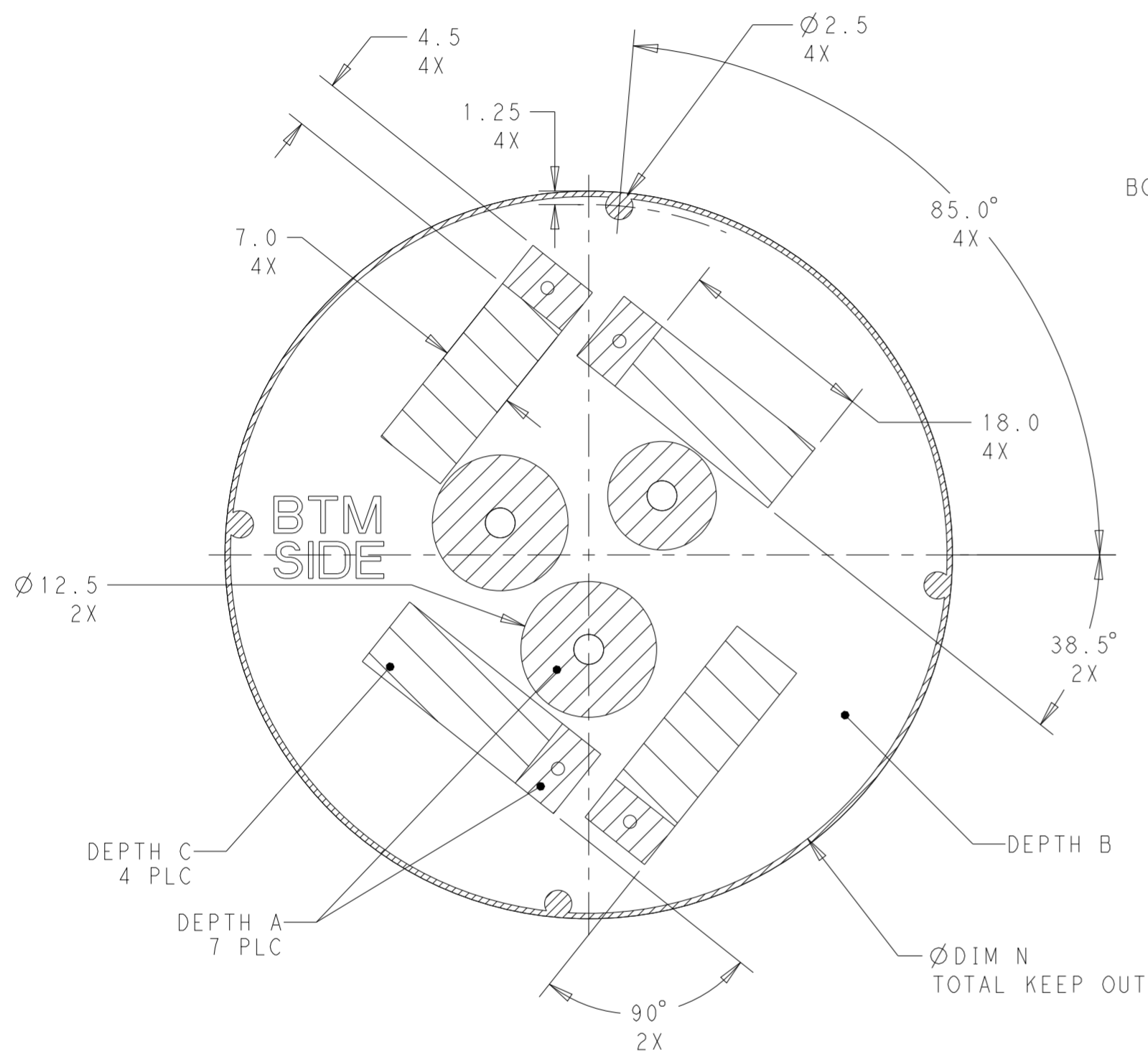
THIS DRAWING IS A CONTROLLED DOCUMENT. DWN C DAILY 28SEP2015  
 CHK E HOWARD 28SEP2015

DIMENSIONS: mm		TOLERANCES UNLESS OTHERWISE SPECIFIED:		APVD -		NAME	
0 PLC	±	0 PLC	±0.2	PRODUCT SPEC		BASE ASSEMBLY, LIGHT CONTROLLER	
1 PLC	±0.13	2 PLC	±	108-32125		SIZE	
2 PLC	±	3 PLC	±	APPLICATION SPEC		CAGE CODE	
3 PLC	±	4 PLC	±	114-32159		DRAWING NO	
MATERIAL		FINISH		WEIGHT		RESTRICTED TO	
1 -		2 -		-		-	
CUSTOMER DRAWING				SCALE 2:1		SHEET 1 OF 3	
						REV B	

STE TE Connectivity

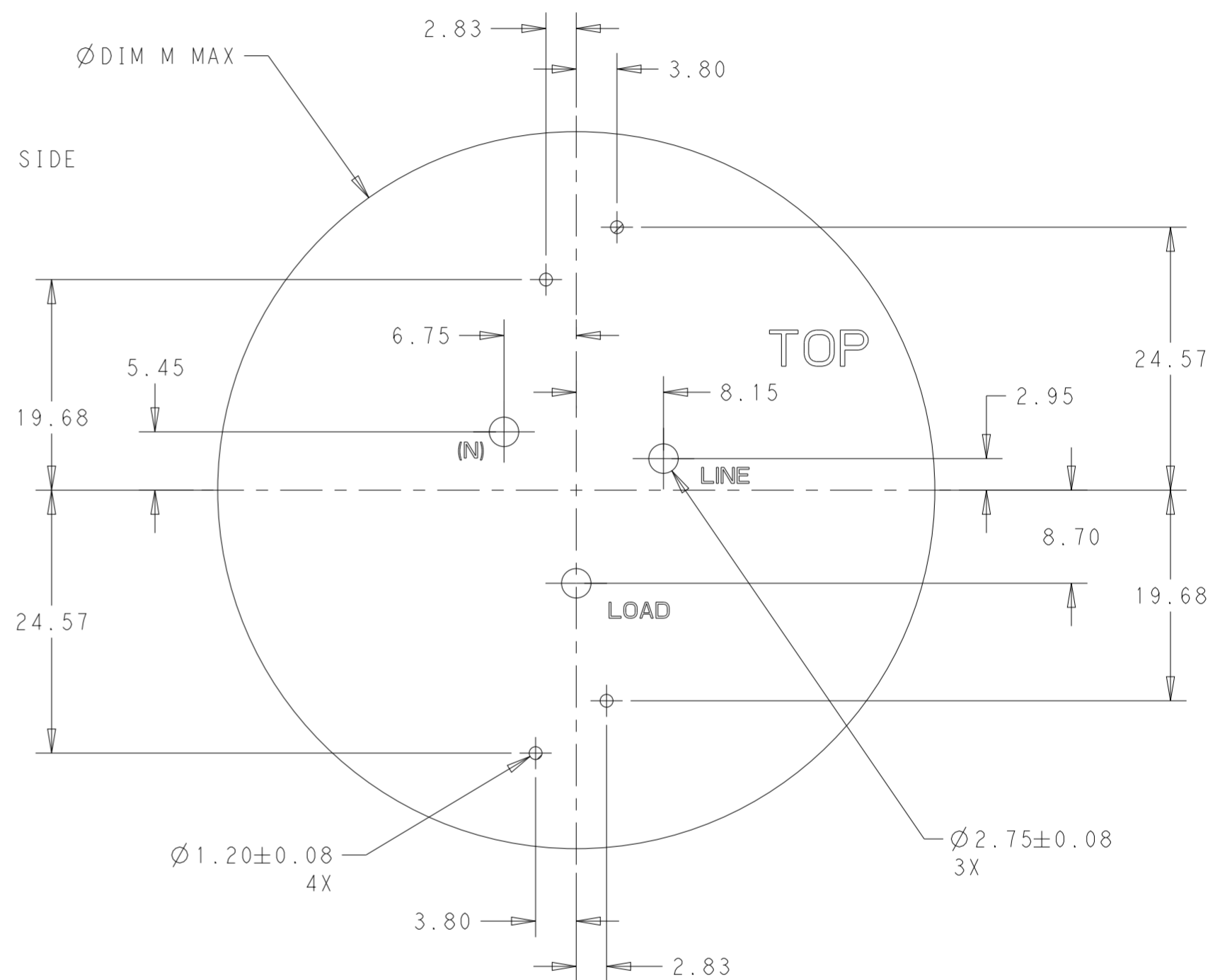
THIS DRAWING IS UNPUBLISHED. RELEASED FOR PUBLICATION 20  
 © COPYRIGHT 20 BY - ALL RIGHTS RESERVED.

LOC		DIST		REVISIONS			
P	LTR	DESCRIPTION	DATE	DWN	APVD		
-	-	SEE SHEET 1	-	-	-		



COMPONENT KEEP OUT AREAS

BOTTOM SIDE TOP SIDE

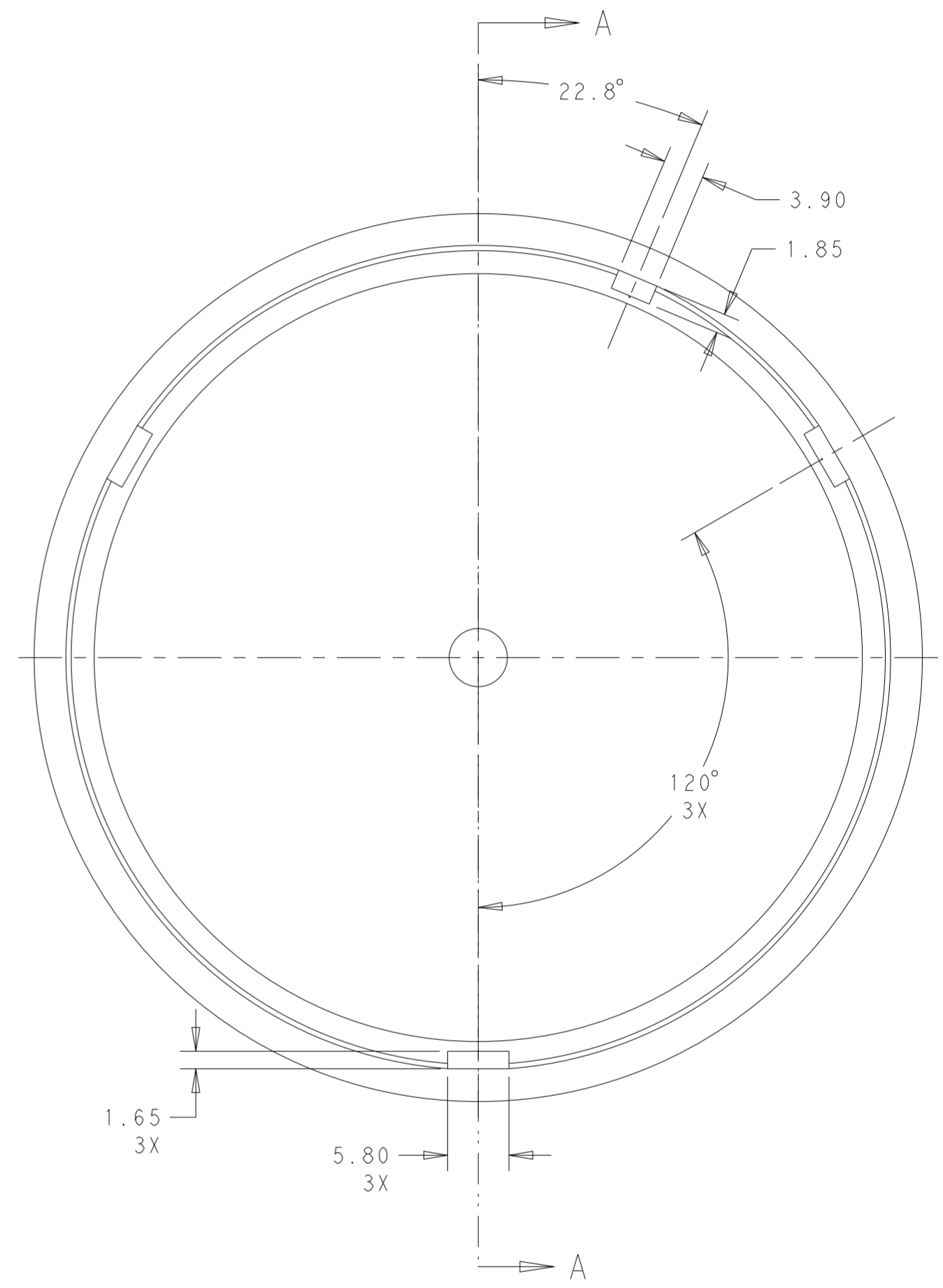
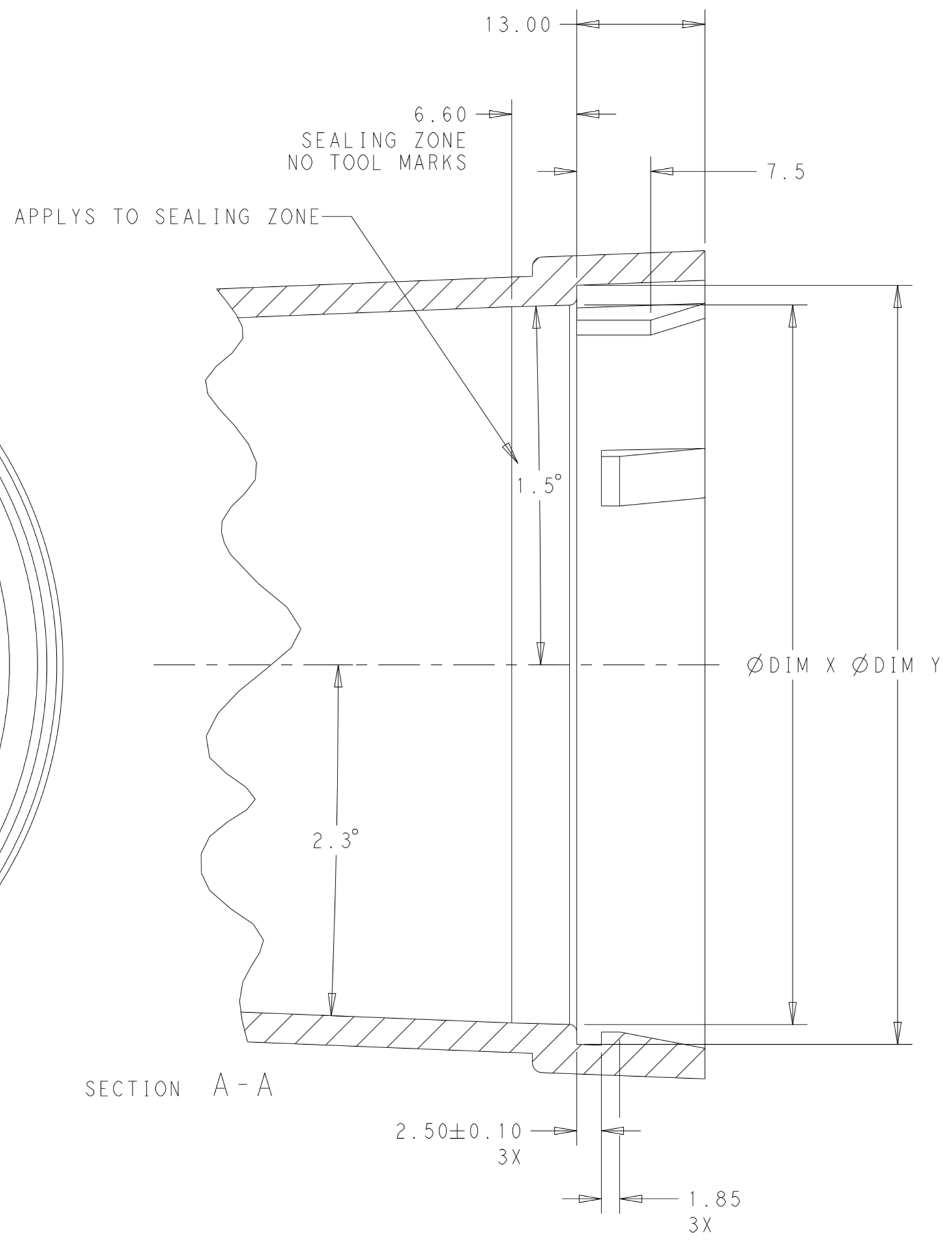
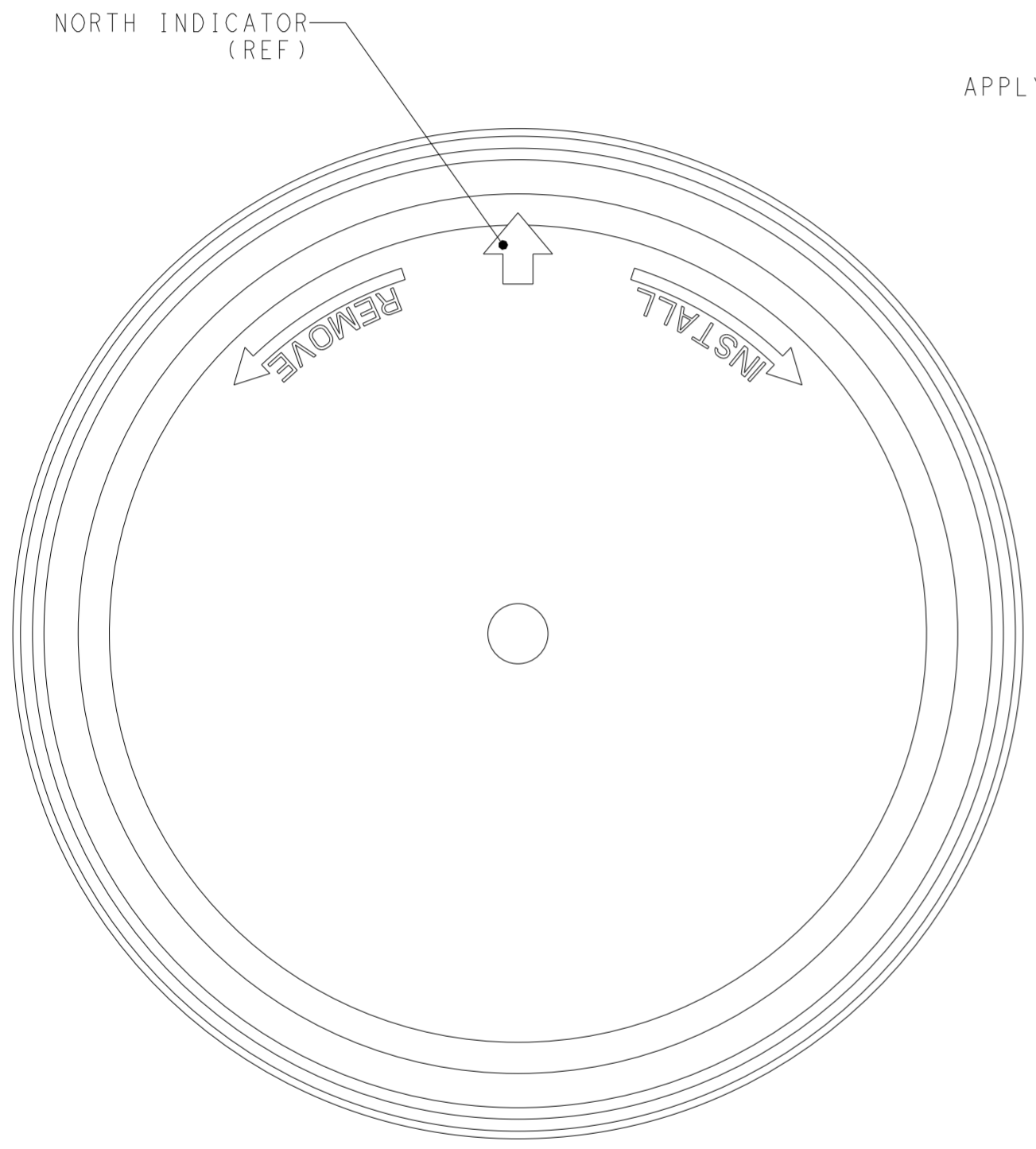


RECOMMENDED PCB SCALE 2:1

THIS DRAWING IS A CONTROLLED DOCUMENT.		DWN C DAILY 28SEP2015	TE Connectivity	
		CHK E HOWARD 28SEP2015		
DIMENSIONS: mm	TOLERANCES UNLESS OTHERWISE SPECIFIED:	APVD -	NAME BASE ASSEMBLY, LIGHT CONTROLLER	
	0 PLC ± 1 PLC ±0.2 2 PLC ±0.13 3 PLC ± 4 PLC ± ANGLES ±3° FINISH	PRODUCT SPEC 108-32125	RESTRICTED TO -	
MATERIAL -		APPLICATION SPEC 114-32159	SIZE A2	CAGE CODE -
		WEIGHT -	DRAWING NO G-2213730	SCALE 2:1
		CUSTOMER DRAWING	SHEET 2	OF 3
			REV B	

THIS DRAWING IS UNPUBLISHED. RELEASED FOR PUBLICATION 20  
 © COPYRIGHT 20 BY - ALL RIGHTS RESERVED.

LOC		DIST		REVISIONS			
P	LTR	DESCRIPTION		DATE	DWN	APVD	
-	-	SEE SHEET 1		-	-	-	



MATING CAP DIMENSIONS 5

THIS DRAWING IS A CONTROLLED DOCUMENT.		DWN C. DAILY 28SEP2015	TE Connectivity	
		CHK E. HOWARD 28SEP2015		
DIMENSIONS:	TOLERANCES UNLESS OTHERWISE SPECIFIED:	APVD -	NAME BASE ASSEMBLY, LIGHT CONTROLLER	
mm	0 PLC ± 1 PLC ±0.2 2 PLC ±0.13 3 PLC ± 4 PLC ± ANGLES ±3° FINISH	PRODUCT SPEC 108-32125	SIZE A2	
MATERIAL	-	APPLICATION SPEC 114-32159	CAGE CODE -	DRAWING NO C-2213730
		WEIGHT -	RESTRICTED TO -	
		CUSTOMER DRAWING	SCALE 2:1	SHEET 3 OF 3
			REV B	