

## Thru-beam sensor

VS18/VSE18-M-LAS/32/40a/76a/82



- M18 threaded housing made of brass, nickel plated
- Detection of very small parts in the near range
- Visible red light, pulsed LASER light
- Focusable optical system
- Array control panel with highly visible LED display
- Flashing power on LED in case of short-circuit

Laser thru-beam sensor



### Safety Information

#### Laser Class 1 Information

The irradiation can lead to irritation especially in a dark environment. Do not point at people!

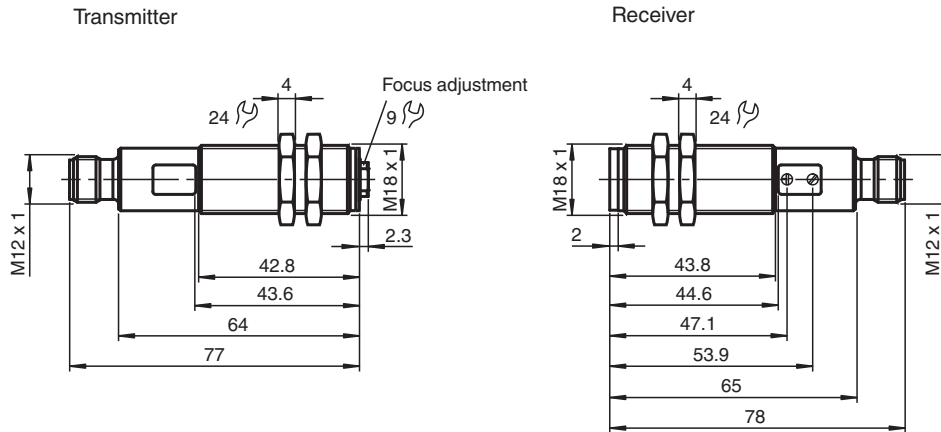
Maintenance and repairs should only be carried out by authorized service personnel!

Attach the device so that the warning is clearly visible and readable.

The warning accompanies the device and should be attached in immediate proximity to the device.

Caution – Use of controls or adjustments or performance of procedures other than those specified herein may result in hazardous radiation exposure.

**Dimensions**



**Technical Data**

<b>System components</b>		
Emitter	VS18-M-LAS/76a/118	
Receiver	VSE18-M-LAS/32/40a/82b/118	
<b>General specifications</b>		
Effective detection range	0 ... 60 m	
Threshold detection range	85 m	
Light source	laser diode	
Light type	modulated visible red light	
Laser nominal ratings		
Note	LASER LIGHT , DO NOT STARE INTO BEAM	
Laser class	1	
Wave length	655 nm	
Beam divergence	11.7 mrad	
Pulse length	2 µs	
Repetition rate	50 kHz	
max. pulse energy	2.55 nJ	
Diameter of the light spot	100 mm x 100 mm at a distance of 85 m	
Angle of divergence	adjustable focal point	
Optical face	frontal	
Ambient light limit	30000 Lux	
Hysteresis	H	< 15 %
<b>Functional safety related parameters</b>		

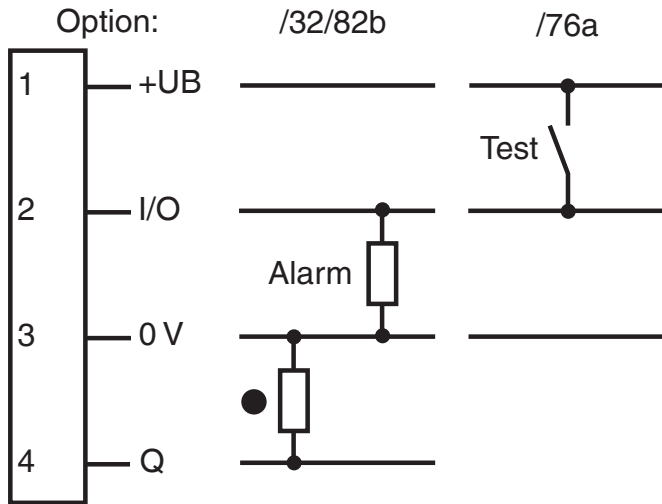
Release date: 2021-04-19 Date of issue: 2021-04-19 Filename: 800199\_eng.pdf

Refer to "General Notes Relating to Pepperl+Fuchs Product Information".

## Technical Data

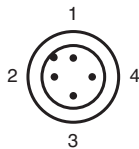
MTTF <sub>d</sub>		520 a
Mission Time (T <sub>M</sub> )		20 a
Diagnostic Coverage (DC)		90 %
<b>Indicators/operating means</b>		
Operation indicator		LED green, flashes in case of short-circuit
Function indicator		LED yellow, light with free light beam , flashes when falling short of the stability control , OFF when light beam is interrupted (in receiver)
Control elements		Sensitivity adjuster, light/dark switch (receiver)
<b>Electrical specifications</b>		
Operating voltage	U <sub>B</sub>	10 ... 30 V DC , class 2
No-load supply current	I <sub>0</sub>	Emitter: 20 mA , Receiver: 15 mA
Protection class		II , rated voltage ≤ 50 V AC with pollution degree 1-2 according to IEC 60664-1
<b>Input</b>		
Test input		emitter deactivation at +U <sub>B</sub>
<b>Output</b>		
Pre-fault indication output		1 PNP, inactive when falling short of the stability control , max. 100 mA
Switching type		light/dark on, switchable
Signal output		1 PNP output, short-circuit protected, reverse polarity protected, open collector
Switching voltage		30 V DC
Switching current		max. 200 mA
Voltage drop	U <sub>d</sub>	≤ 2.5 V DC
Switching frequency	f	5000 Hz
Response time		100 μs
<b>Conformity</b>		
Product standard		EN 60947-5-2
<b>Compliance with standards and directives</b>		
Standard conformity		
Laser class		IEC 60825-1:2007 Complies with 21 CFR 1040.10 and 1040.11 except for deviations pursuant to Laser Notice No. 50, dated June 24, 2007
<b>Approvals and certificates</b>		
UL approval		cULus Listed, Type 1 enclosure
CCC approval		CCC approval / marking not required for products rated ≤36 V
<b>Ambient conditions</b>		
Ambient temperature		-25 ... 55 °C (-13 ... 131 °F)
Storage temperature		-30 ... 70 °C (-22 ... 158 °F)
Shock resistance		b < 30 g, T < 11 ms
<b>Mechanical specifications</b>		
Degree of protection		IP67
Connection		4-pin, M12 x 1 connector
Material		
Housing		brass, nickel-plated
Optical face		plastic
Mass		60 g (device)

**Connection Assignment**



○ = Light on  
● = Dark on

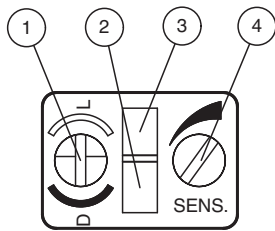
**Connection Assignment**



Wire colors in accordance with EN 60947-5-2

- 1 | BN (brown)
- 2 | WH (white)
- 3 | BU (blue)
- 4 | BK (black)

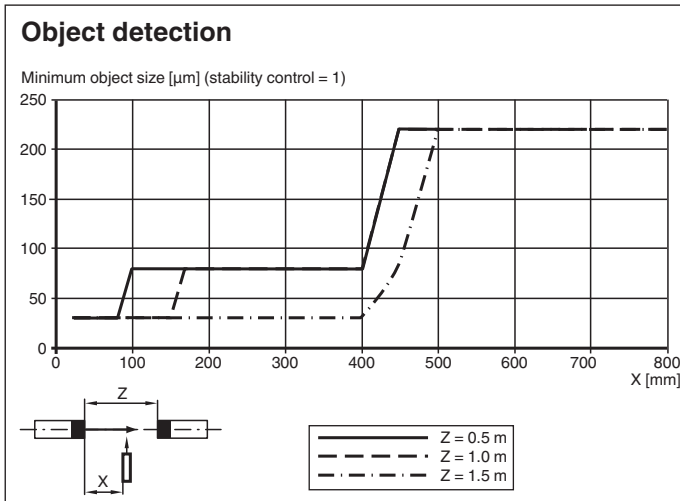
**Assembly**



1	Light/dark switch
2	Operating display green
3	Switch state yellow
4	Sensitivity adjustment

Release date: 2021-04-19 Date of issue: 2021-04-19 Filename: 800199\_eng.pdf

Refer to "General Notes Relating to Pepperl+Fuchs Product Information".



## Accessories

	<b>OMH-VL18</b>	Mounting Bracket with swivel nut
	<b>BF 18</b>	Mounting flange, 18 mm
	<b>BF 18-F</b>	Plastic mounting adapter, 18 mm
	<b>BF 5-30</b>	Universal mounting bracket for cylindrical sensors with a diameter of 5 ... 30 mm
	<b>V1-G-2M-PUR</b>	Female cordset single-ended M12 straight A-coded, 4-pin, PUR cable grey
	<b>V1-W-2M-PUR</b>	Female cordset single-ended M12 angled A-coded, 4-pin, PUR cable grey

**Adjustment****Small object detection**

The focal point of the emitter can be adjusted. Very small objects are best detected at the focal point (place of smallest spot size). Whether a small object can be detected or not depends on the emitter/receiver as well as on the emitter/object distance. Please see the corresponding curves enclosed.

For long distance application, you have to avoid a short focal plane setting. The maximum light spot diameter at the receivers location must not exceed 100 mm for reliable detection with 2-fold function reserve.