

U\_FPGA\_PWR\_MISC  
FPGA\_PWR\_MISC.SchDoc

U\_FPGA\_CFG  
FPGA\_CFG.SchDoc

U\_B14\_B16  
B14\_B16.SchDoc

U\_B15  
B15.SchDoc

U\_B34  
B34.SchDoc

U\_B35  
B35.SchDoc

U\_B2B\_Connector  
B2B\_Connector.SchDoc

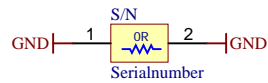
U\_POWER  
POWER.SchDoc

U\_Optical\_transceiver  
Optical\_transceiver.SchDoc

LOGO1

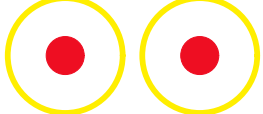
TE Logo PRINT Layer

LOGO PRINT

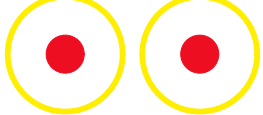


Serial  
Serial  
Serialnumber 6,3 x 6.3mm

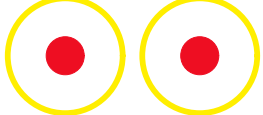
FIDU-DOT - small FIDU-DOT - small



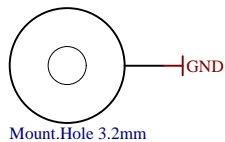
PM1 PM2  
FIDU-DOT - small FIDU-DOT - small




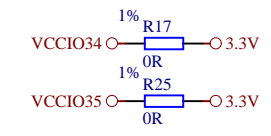
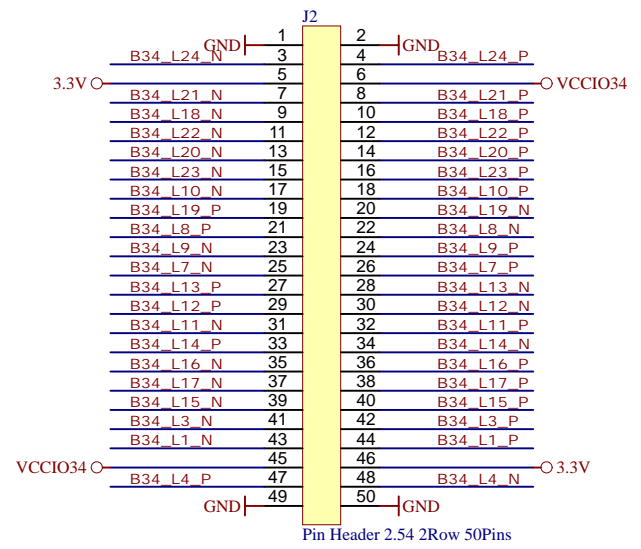
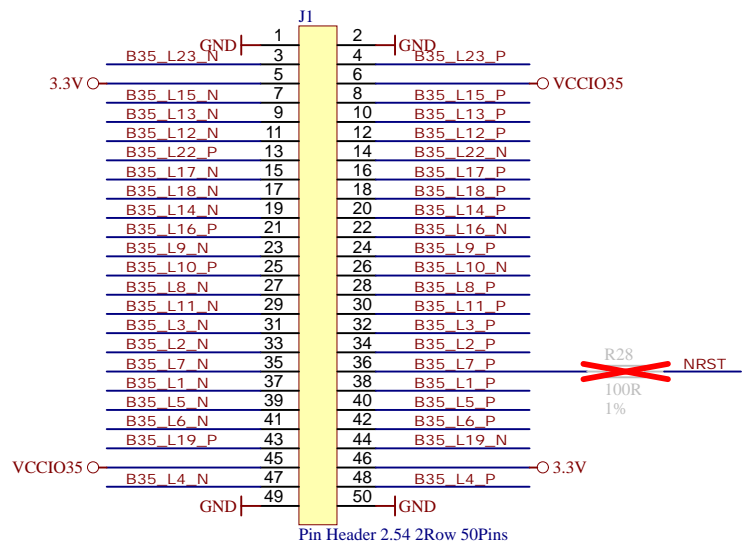
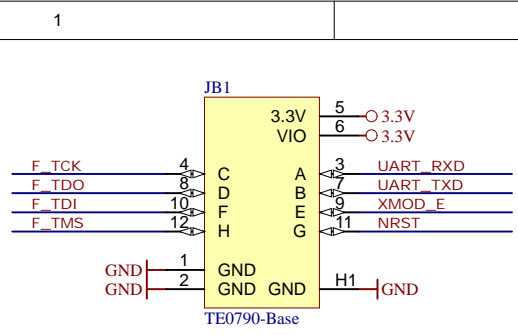
PM4 PM5  
FIDU-DOT - small FIDU-DOT - small



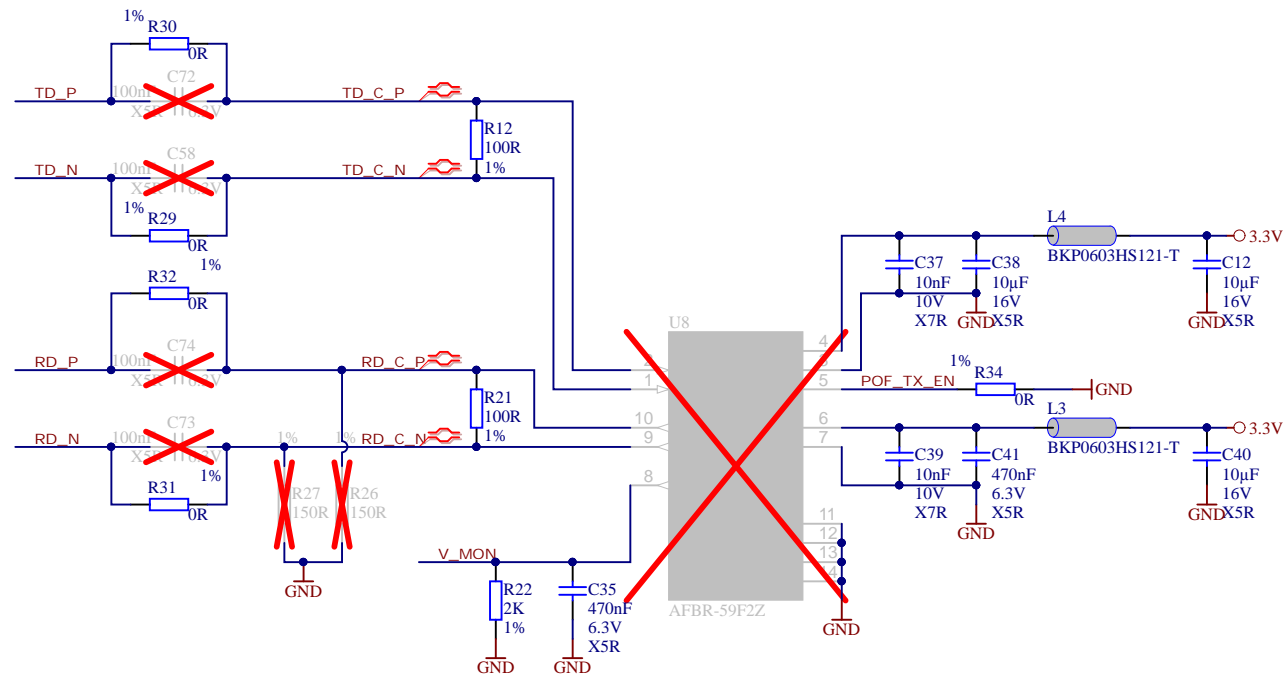
PM6 PM3




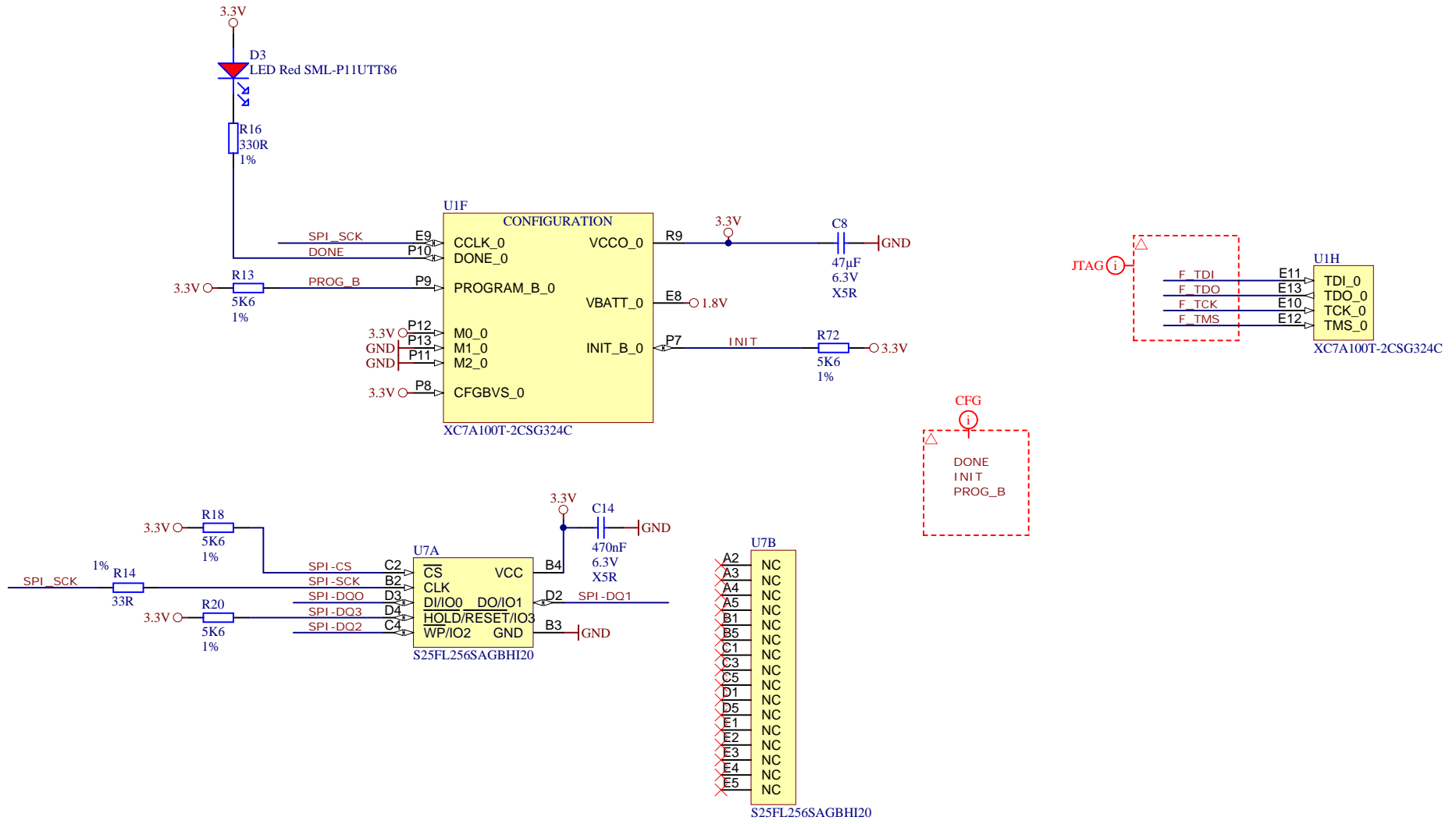
			Title: TE0725 - Overview	
			A4	Number: TE0725 TE0725-100-2C
Date: 2016-06-29		Copyright: Trenz Electronic GmbH / TT		Page1 of 11
Filename: TE0725.SchDoc				




Title: TE0725 - B2B Connectors		
A4	Number: TE0725 TE0725-100-2C	Rev. 03
Date: 2016-06-29	Copyright: Trenz Electronic GmbH / TT	Page2 of 11
Filename: B2B_Connector.SchDoc		



		Title: TE0725 - Optical transceiver	
		A4	Number: TE0725 TE0725-100-2C
Date: 2016-06-29		Copyright: Trenz Electronic GmbH / TT	
Filename: Optical_transceiver.SchDoc		Page 3 of 11	



		Title: TE0725 - FPGA CFG	
		A4	Number: TE0725 TE0725-100-2C
Date: 2016-06-29		Copyright: Trenz Electronic GmbH / TT	
Filename: FPGA_CFG.SchDoc		Page 4 of 11	

1

2

3

4

A

A

B

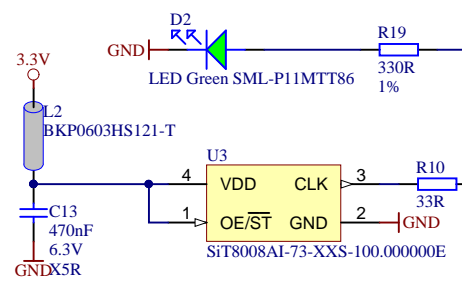
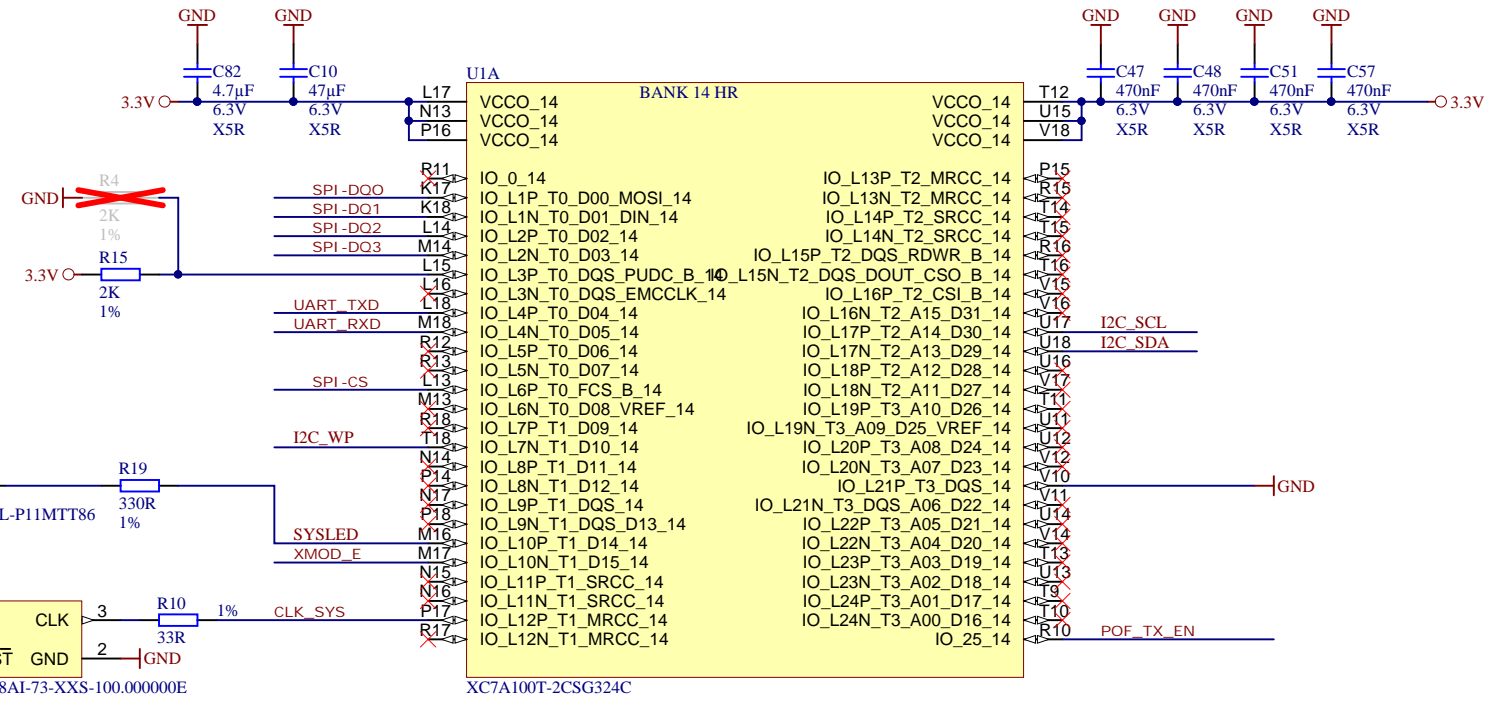
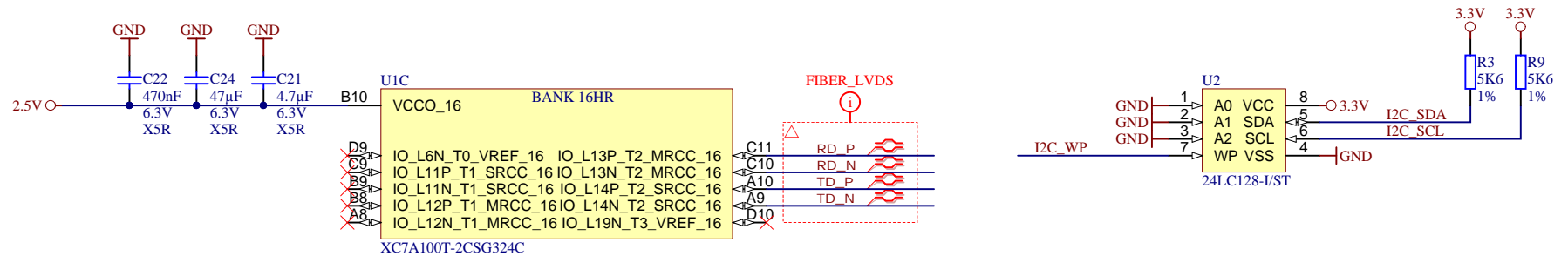
B

C

C

D

D



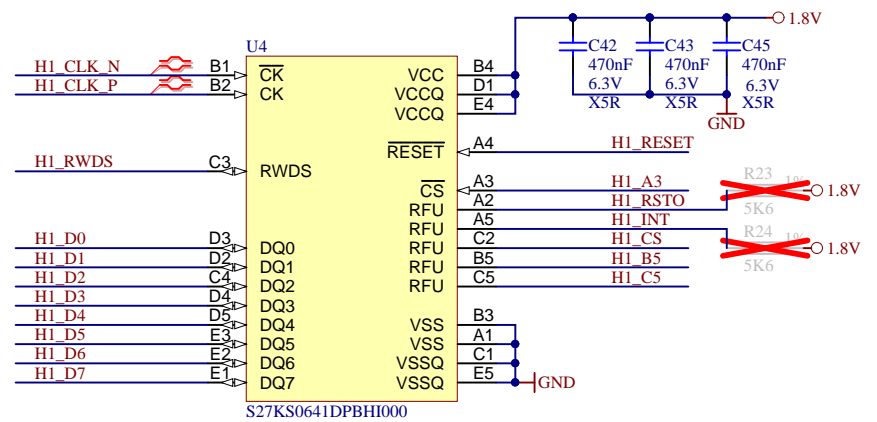
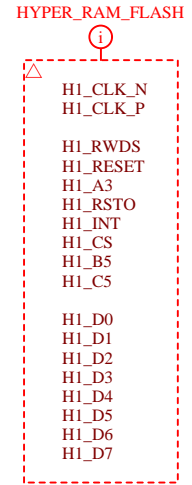
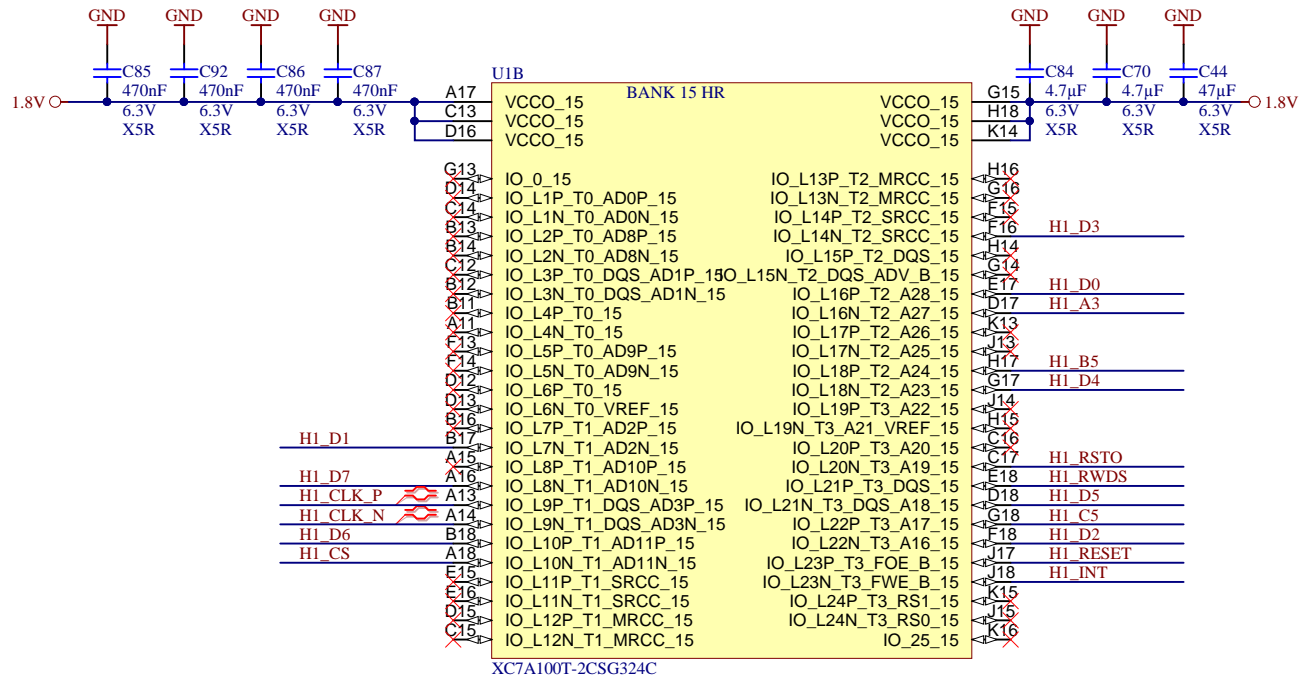
Title: TE0725 - B14 & B16		
A4	Number: TE0725 TE0725-100-2C	Rev. 03
Date: 2016-06-29	Copyright: Trenz Electronic GmbH / TT	Page5 of 11
Filename: B14_B16.SchDoc		

1

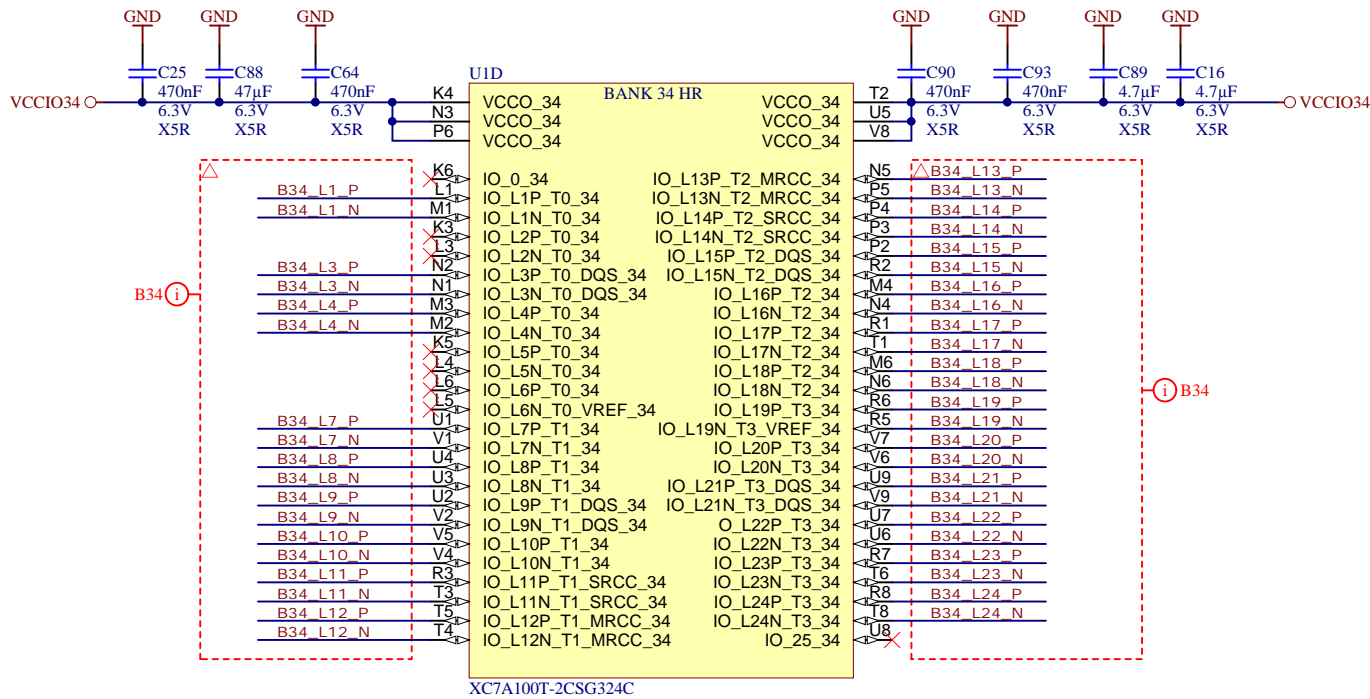
2

3

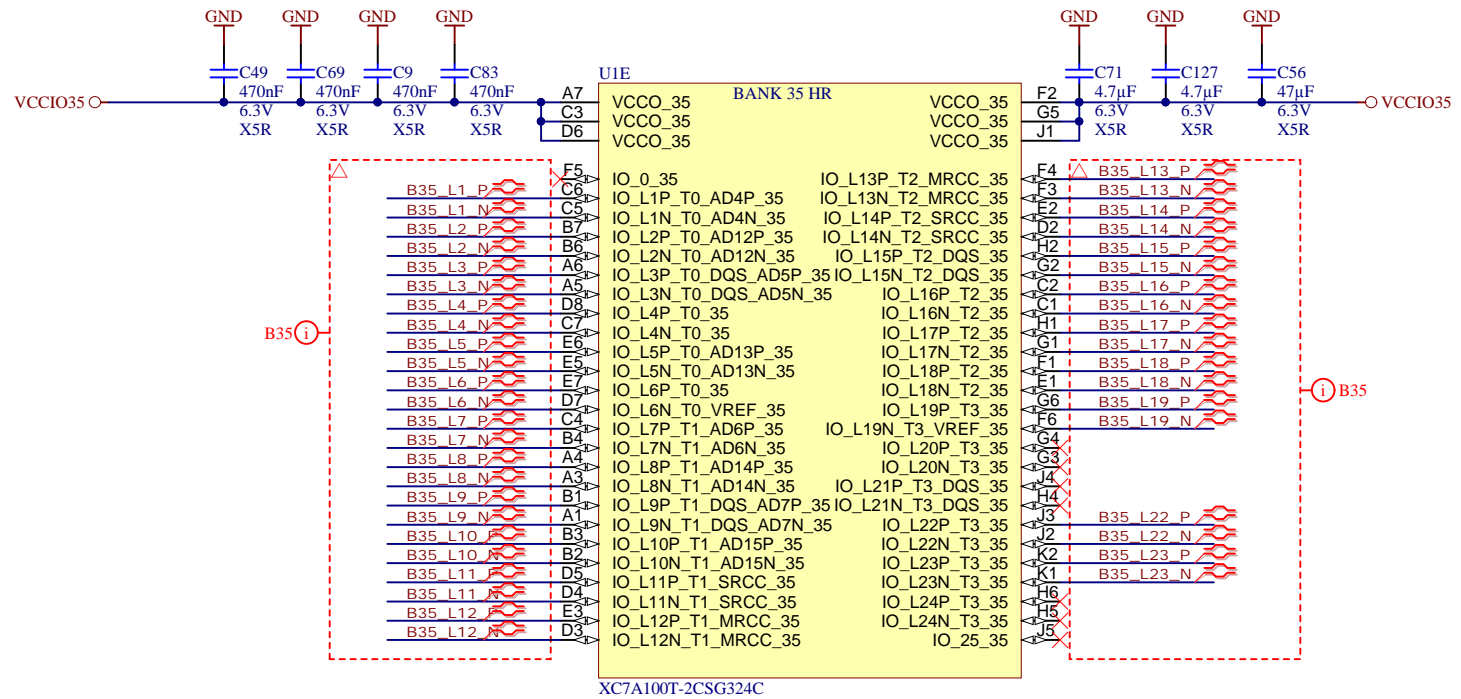
4



Title: TE0725 - B15		
A4	Number: TE0725 TE0725-100-2C	Rev. 03
Date: 2016-06-29	Copyright: Trenz Electronic GmbH / TT	Page6 of 11
Filename: B15.SchDoc		

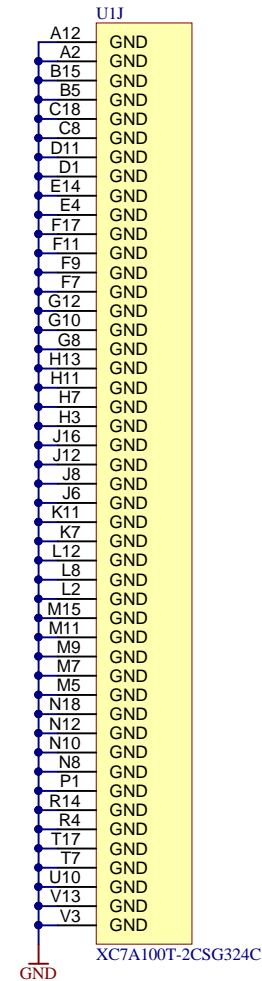
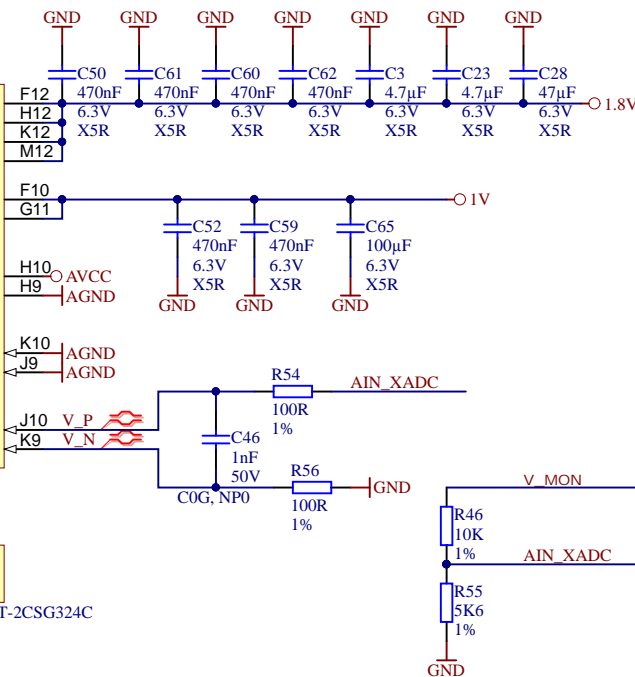
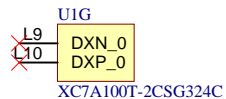
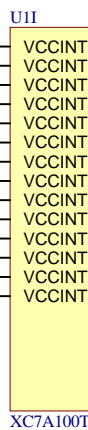
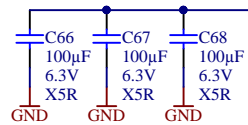
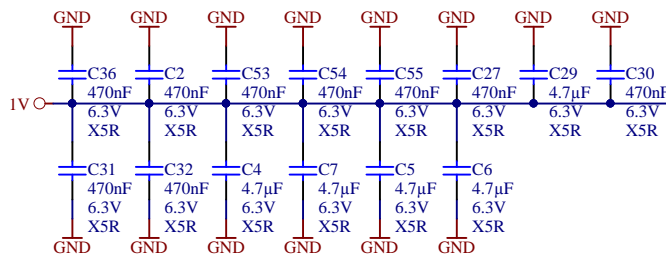
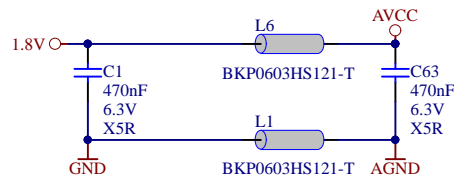


Title: TE0725 - B34		
A4	Number: TE0725 TE0725-100-2C	Rev. 03
Date: 2016-06-29	Copyright: Trenz Electronic GmbH / TT	Page 7 of 11
Filename: B34.SchDoc		

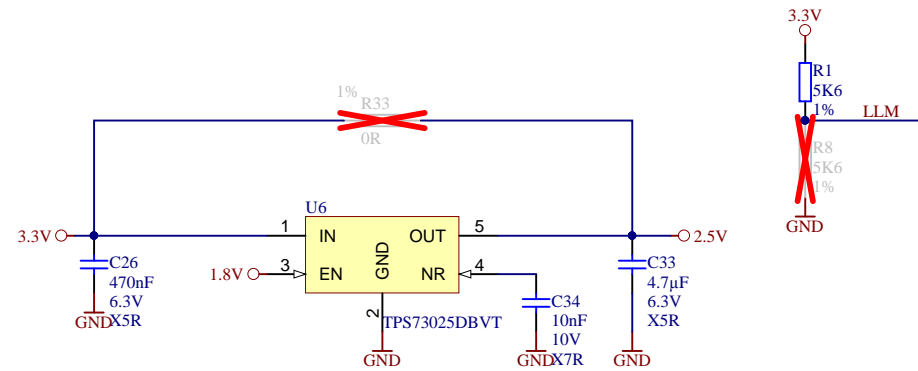
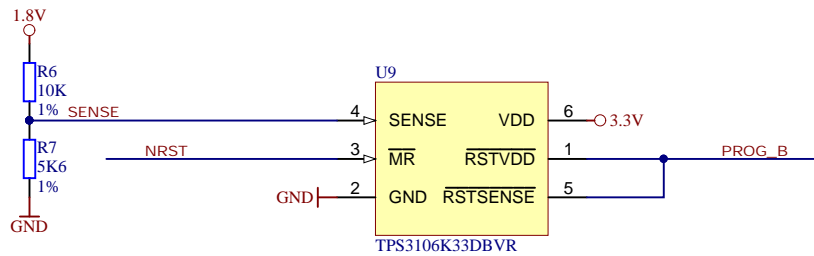
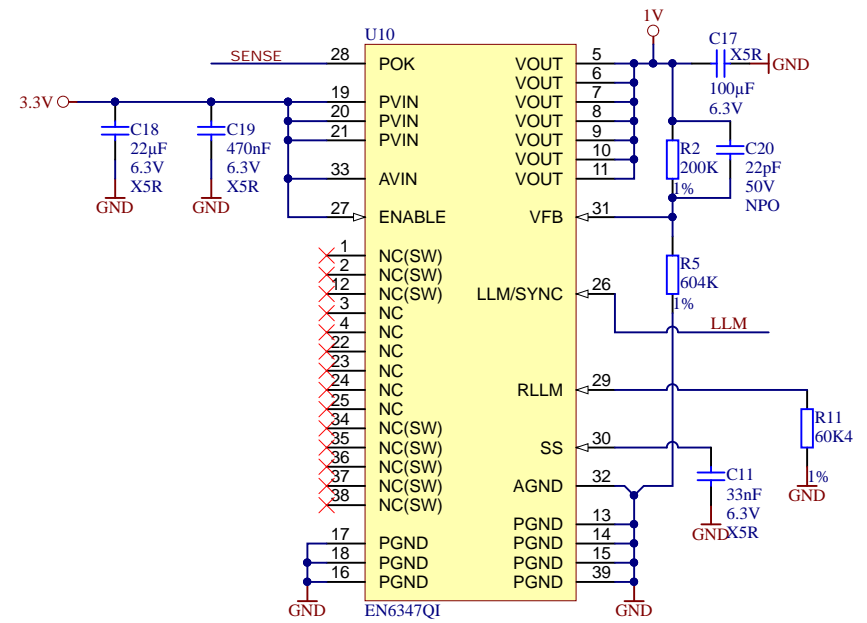
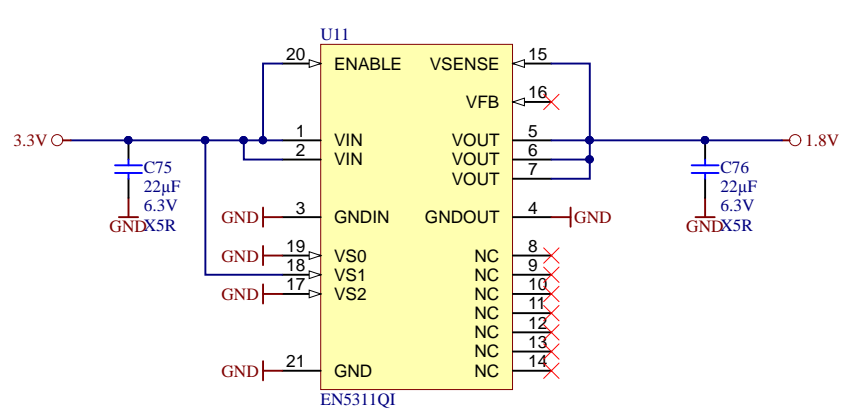



Title: <b>TE0725 - B35</b>		
A4	Number: <b>TE0725 TE0725-100-2C</b>	Rev. <b>03</b>
Date: <b>2016-06-29</b>	Copyright: <b>Trenz Electronic GmbH / TT</b>	Page <b>8</b> of <b>11</b>
Filename: <b>B35.SchDoc</b>		





	Title: TE0725 - FPGA PWR MISC		
	A4	Number: TE0725 TE0725-100-2C	Rev. 03
	Date: 2016-06-29	Copyright: Trenz Electronic GmbH / TT	Page9 of 11
	Filename: FPGA_PWR_MISC.SchDoc		



		Title: TE0725 - POWER	
		A4	Number: TE0725 TE0725-100-2C
Date: 2016-06-29		Copyright: Trenz Electronic GmbH	
Filename: POWER.SchDoc		Page 10 of 11	

1

2

3

4

CHANGES REV02 to REV03

- 1) fixed LVPECL termination for 125MBit modules
- 2) fixed wrong XADC decoupling capacitors
- 3) added serial number (traceability pad)
- 4) added thermal vias to mounting holes

A

A

B

B

C

C

D

D



Title: <b>TE0725 - Changes list</b>		
A4	Number: <b>TE0706</b> <b>TE0725-100-2C</b>	Rev. <b>03</b>
Date: <b>2016-06-29</b>	Copyright: <b>Trenz Electronic GmbH</b>	Page <b>11</b> of <b>11</b>
Filename: <b>Revision_Changes.SchDoc</b>		

1

2

3

4