

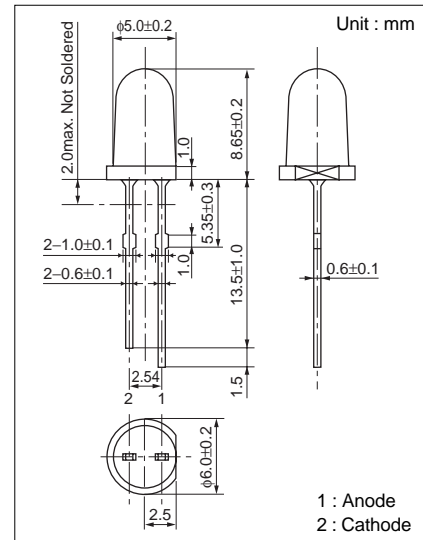
Round Type φ5.0mm Series

Type No. Lighting Color
LN21CAL(UQS) Red

Absolute Maximum Ratings (Ta=25°C)

Lighting Color	P _D (mW)	I _F (mA)	I _{FP} (mA)*	V _R (V)	T _{opr} (°C)	T _{stg} (°C)
Red	70	30	150	3	-25 ~ +85	-30 ~ +100

* The condition of I_{FP} is duty 10%, Pulse width 1 msec



Electro-Optical Characteristics (Ta=25°C)

Type No.	Lighting Color	Lens Color	I _O		I _F	V _F		λ _P	Δλ	I _F	I _R	
			typ	min		typ	max				max	V _R
LN21CAL(UQS)	Red	Clear	1500	1000	20	1.8	2.4	660	20	20	100	3
Unit	—	—	mcd	mcd	mA	V	V	nm	nm	mA	μA	V

