



ANATECH ELECTRONICS INC
RF & Microwave Filters & Products

78.1 MHz LC Bandpass Filter

Part Number: AE78.1B4603



Electrical Specifications

Center Frequency: 78.1 MHz
Bandwidth: 27.33 MHz
Passband : 65.68 MHz to 93.01 MHz
Insertion Loss: ≤ 4.0 dB
Rejection: >40 dB @ 55.45 MHz to 110 MHz
Impedance: 50 Ohms

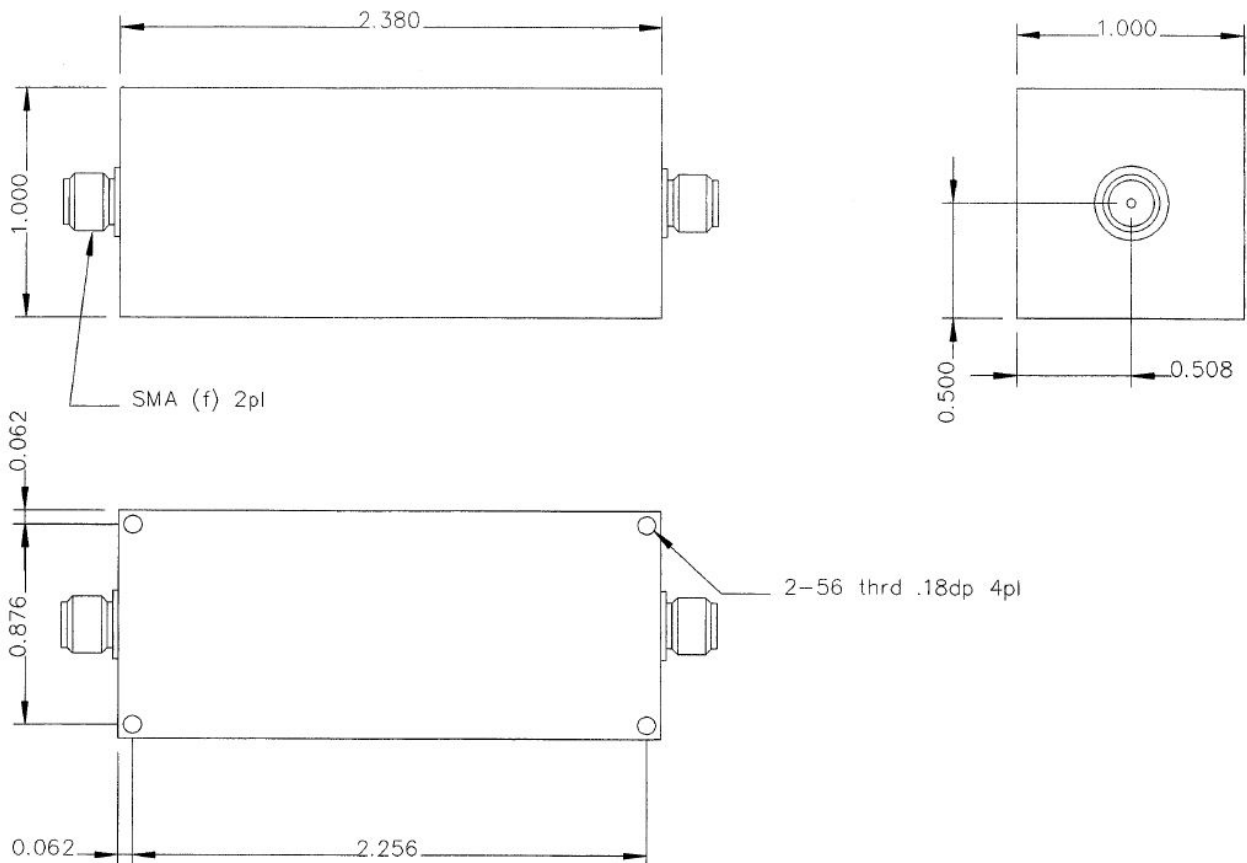
Mechanical

Mounting Method: Threaded Mounting
Connector Type: SMA(F)
Dimensions: 2.38" x 1.00" x 1.00" in.

Environmental

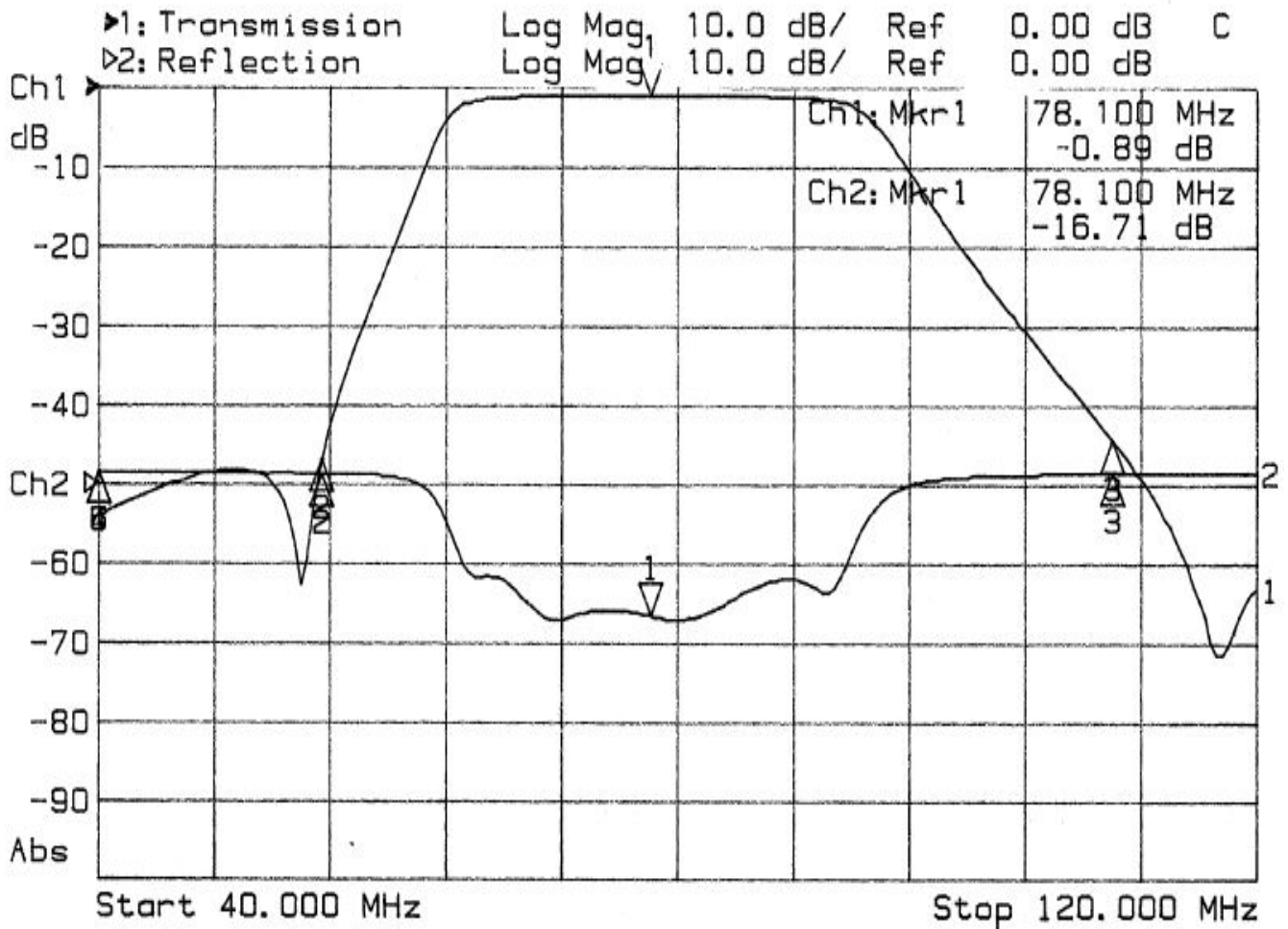
Operating Temperature: -25°C to $+70^{\circ}\text{C}$
Storage Temperature: -40°C to $+90^{\circ}\text{C}$
Shock: 10 G. 11ms
Vibration: 10 G. 5 to 200Hz

Outline Drawing:





Response Plot:



1: Mkr (MHz)	dB	2: Mkr (MHz)	dB
1> 78.10	-0.89	1> 78.10	-16.71
2: 55.45	-46.93	2: 55.45	1.33
3: 110.00	-44.33	3: 110.00	1.59
		4: 40.00	1.55
		5: 40.00	1.55
		6: 40.00	1.55