



MSM-320

Snap-fit Miniature Magnet

RoHS

REACH

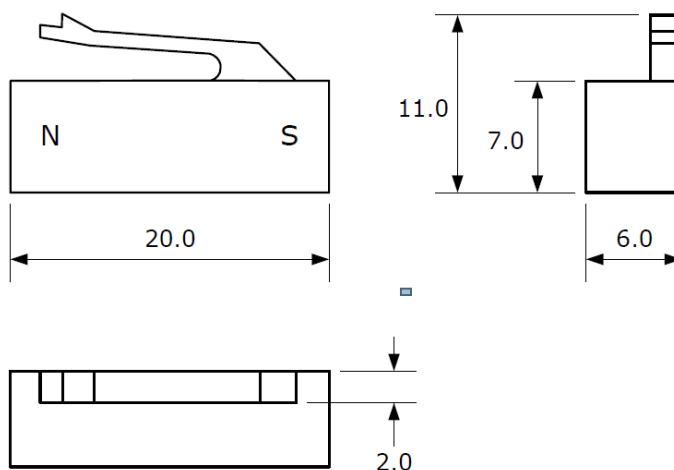
Data

Housing Material	PA-GF, black
Potting Material	Epoxy, black
Orientation	over housing length

Magnetic Material	N35SH	
Remanence Br	mT	1190
Coercivity HcB	kA/m	828
Coercivity HcJ	kA/m	1512
Energy Product (BH) max.	kJ/m ³	275
Magnetic Moment M	x10 ⁻⁵ Vs cm	2.40
Operating Temperature	°C	-20 to 85
Temperature Coefficient Tk(Br)	%/°C	-0.10

Nominal values unless otherwise specified

Dimensions in mm



Customized types, other magnet materials and high temperature grades available.