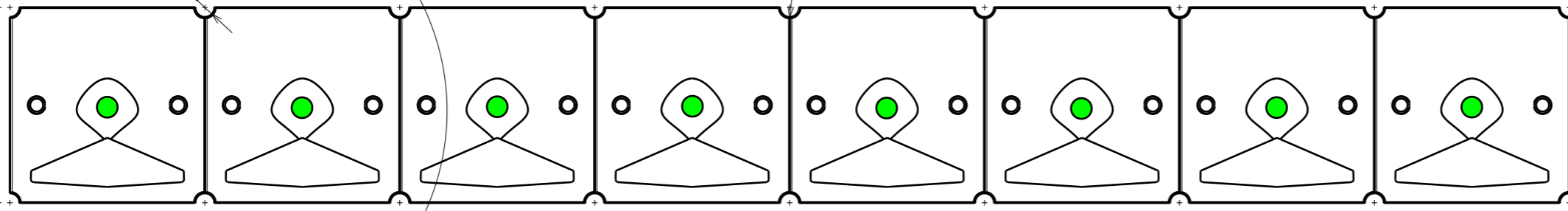
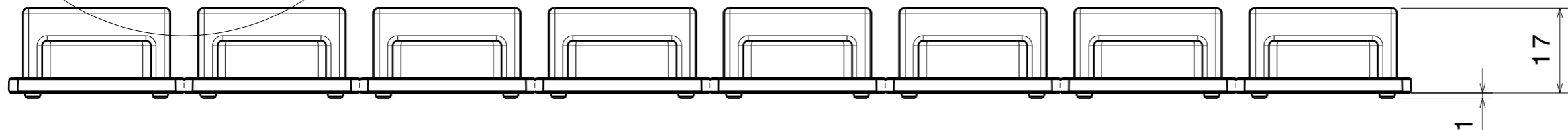


Module can be shared into smaller units along cutting

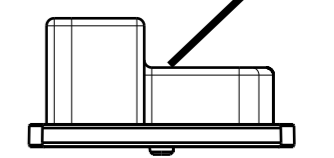
Rear view  
Scale: 1:1



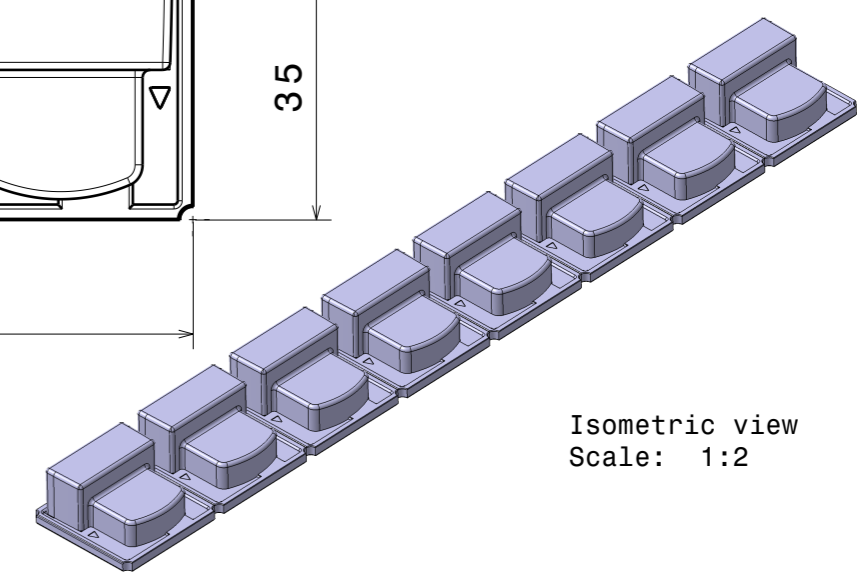
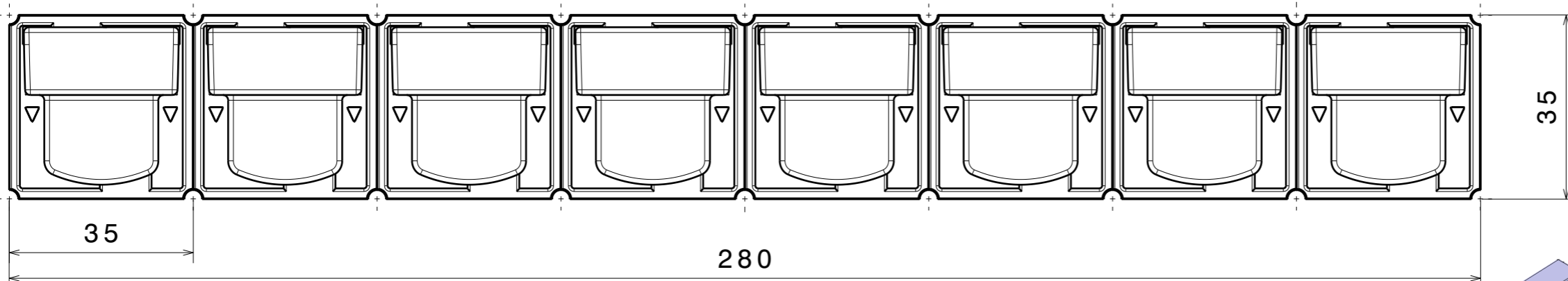
Bottom view  
Scale: 1:1



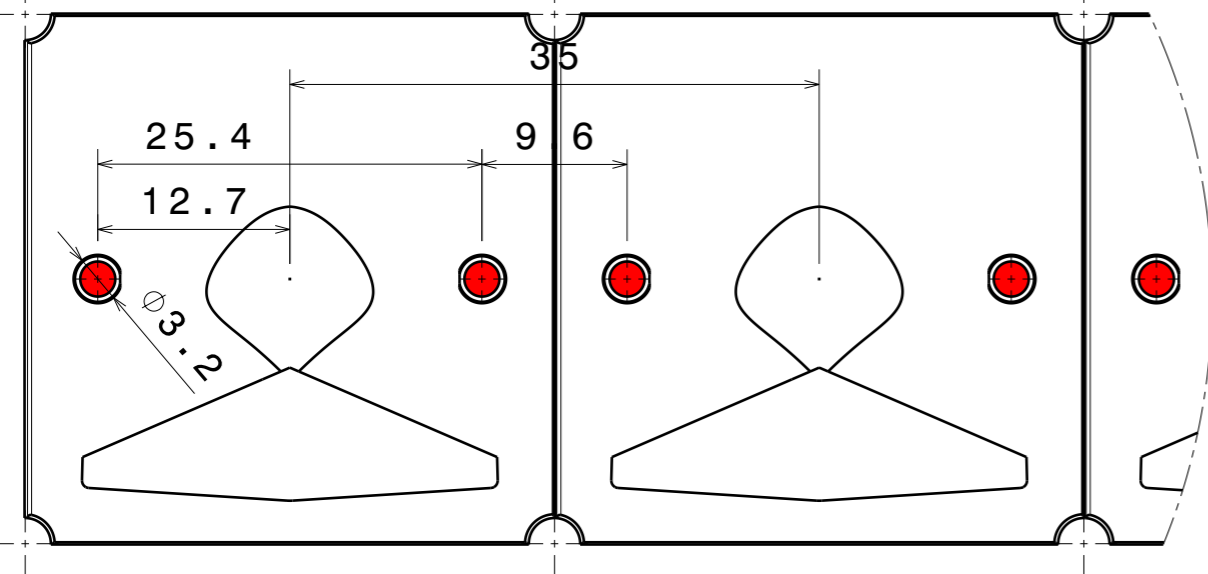
Asymmetric light direction



Front view  
Scale: 1:1



Isometric view  
Scale: 1:2



Detail A  
Scale: 2:1

Notes

- PCB or heatsink level.
- LED location
- Ensure LED fitting from a product specific 3D model available from [www.ledil.com](http://www.ledil.com)
- For more details about installation please see LEDiL Installation Guide on [www.ledil.com](http://www.ledil.com)

PART	TYPE	MATERIAL	COLOR / COATING
F15384_JENNY-8X1-T4-G2	LENS	Silicone	

MECHANICAL DRAWING		<b>LEDiL</b> <sup>®</sup>
PRODUCT	JENNY	
Plastic moulding general tolerances according to DIN 16901-130 and applies if not otherwise shown in the drawing. Silicone moulding general tolerances according to ISO 3302-1 Class M3 and applies if not otherwise shown in the drawing.	FIRST ANGLE PROJECTION: 	This drawing is the property of LEDiL Oy. It may not be copied or otherwise distributed without prior written permission from LEDiL Oy.
SCALE	1:1	WEIGHT 60,2 g
		A3 SHEET 1/1