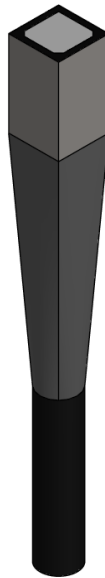




Document Title	400x400 MCMF Specifications	Page No.	1/21
Document No.		Revision	0.1

MiiS MCMF Product Specifications



400x400 Micro-Camera Module Technical Specifications

Accepted by: Sunny Wu	
Signature	Date
<u>Sunny Wu</u>	<u>Nov. 2022</u>
Proposed by: Richer Hsieh	
Signature	Date
<u>Richer Hsieh</u>	<u>Nov. 2022</u>



Document Title	400x400 MCMF Specifications	Page No.	2/21
Document No.		Revision	0.1

Revision History				
Date	Revision description	Version	Page	Created by
2022.11.08	First Edition	V0.1	18	Richer



Document Title	400x400 MCMF Specifications	Page No.	3/21
Document No.		Revision	0.1

Contents

Introductions 5

Features 5

Applications..... 5

Absolute Maximum Ratings..... 6

General Specifications..... 6

Block Diagram 7

Electrical Characteristics..... 10

Optical Specifications 11

Tables of Model Names..... 14

Mechanical Drawings 15

Shipping and Packing 17



Document Title	400x400 MCMF Specifications	Page No.	4/21
Document No.		Revision	0.1

List of Figures

Figure 1 The functional blocks of the micro-camera module7

Figure 2 The functional blocks of the micro-camera module with ISP board8

Figure 3 Reference Schematic9

Figure 4 Pixel Array.....11

Figure 5 Default LED Illumination Spectrum12

Figure 6 Micro-Camera Cube Outline Drawing.....15

Figure 7 Connector Board Outline Drawing16

Figure 8 Drawings of Micro-Camera Module Packing Tray.....17

List of Tables

Table 1 MCMF Absolute Maximum Rating.....6

Table 2 MCMF General Specifications6

Table 3 Electrical Characteristics10

Table 4 Optical Characteristics13

Table 5 Model Name for MCMF Micro-Camera Cube14



Document Title	400x400 MCMF Specifications	Page No.	5/21
Document No.		Revision	0.1

Introductions

Micro-Camera Module (MCM) is an All-In-One micro-camera solution for endoscope application and especially for the medical endoscopy. It has low voltage, high-performance, high sensitivity global shutter pixel and special design for medical endoscopic applications. MiiS applies the advanced package technology to integrate the micro-lens and CMOS image sensor (CIS) to make this micro-camera module with ultra-small form factor. The micro-camera module delivers the signal through micro coaxial cables to a matched ISP and shows the high quality images, that is, makes a minimal size of endoscopes come true. The MCMF product delivers most compact size of 400x400 pixels camera module in worldwide and especial suitable for the ultra-small size endoscopic applications.

Features

- ◆ Illumination integrated solution with small form factor (min. 0.65mm x 0.65mm)
- ◆ Advanced technology to make a robust and reliable structure
- ◆ Micro-coaxial cable (up to 3.0M) to deliver high S/N image
- ◆ 400x400 resolutions for endoscope applications
- ◆ Wide FOV (120 degree) for dedicated endoscopic application

Applications

- ◆ Medical endoscope
- ◆ Industrial endoscope
- ◆ All special endoscopes which need compact size camera module



Document Title	400x400 MCMF Specifications	Page No.	6/21
Document No.		Revision	0.1

Absolute Maximum Ratings

Table 1 MCMF Absolute Maximum Rating

Parameters	Value	Unit	Remark
V _{DD} (with respect to GND)	4.5	Volt	
Voltage to any IO	-0.3 to V _{DD-IO} +1	Volt	
Current to any IO	+/- 200	mA	
Ambient Storage Temp.	-40 ~ +85	°C	

General Specifications

Table 2 MCMF General Specifications

Parameters	Unit	Value	Remark
MCM Dimension	mm	Max. 0.65 x0.65 x 4.0	Max. length 4mm (including molding)
Resolutions	Pixels	400 x 400	
Sensing Area	um	411.26 x 411.26	
Field of View (Horizontal)	Degree	100	+/- 6
Field of View (Diagonal)	Degree	120	+/- 6
Depth of Field	mm	2 ~ 60	
LED Color and CCT	/	NA	w/o LED
Frame Rate	fps	30	
Typ. Power Consumption	mW	21.5	
Cable Diameter	mm	0.35/0.40/0.55	+/- 0.05mm
Cable Length	mm	Max. 3000	+/- 50mm

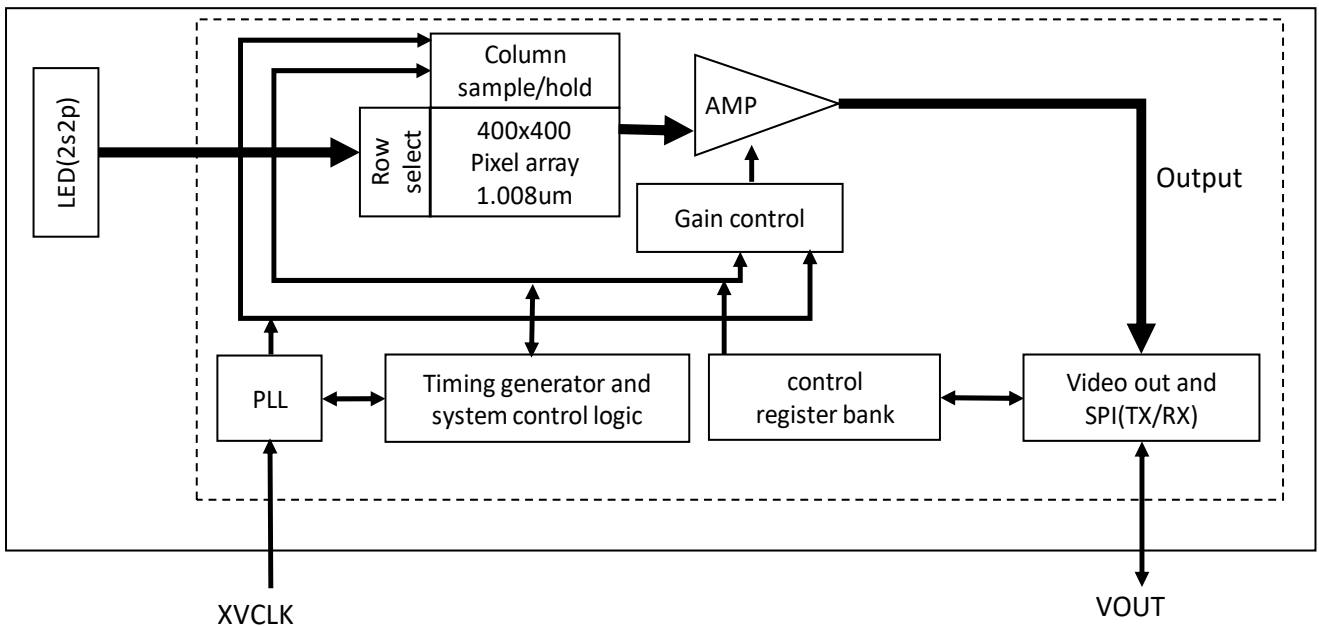


Document Title	400x400 MCMF Specifications	Page No.	7/21
Document No.		Revision	0.1

Block Diagram

The functional block diagram of this camera module are shown in Fig. 1 as follows.

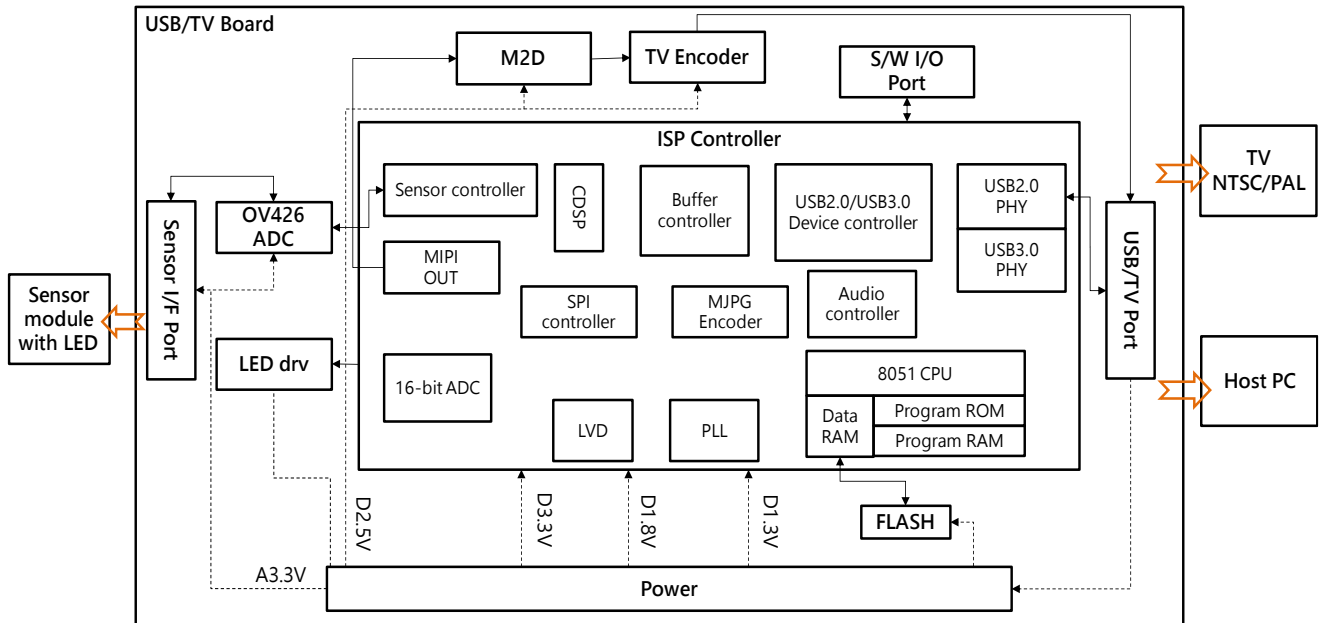
Figure 1 The functional blocks of the micro-camera module





Document Title	400x400 MCMF Specifications	Page No.	8/21
Document No.		Revision	0.1

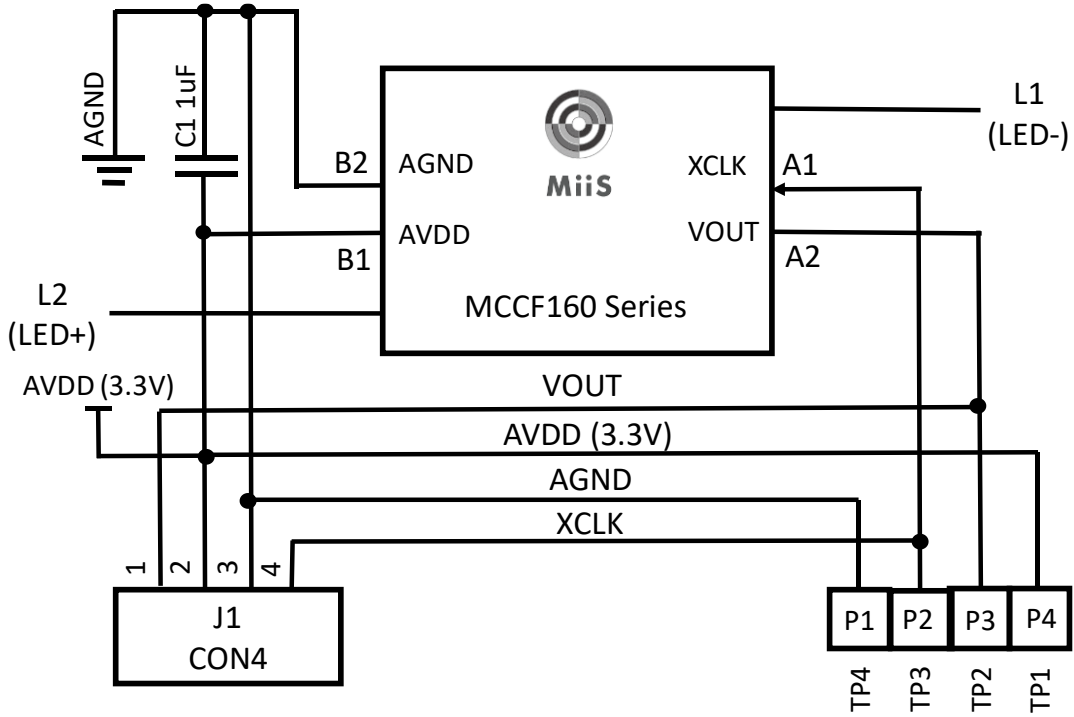
Figure 2 The functional blocks of the micro-camera module with ISP board





Document Title	400x400 MCMF Specifications	Page No.	9/21
Document No.		Revision	0.1

Figure 3 Reference Schematic





Document Title	400x400 MCMF Specifications	Page No.	10/21
Document No.		Revision	0.1

Electrical Characteristics

The module will comply with the specifications listed in this section within the operating ranges listed in the respective section. The parameters with Min and Max values are guaranteed with production tests or SQC (Statistical Quality Control) methods.

Table 3 Electrical Characteristics

Symbol	Parameters	min	typ	max	unit
Supply					
VDD	Supply voltage(analog), ±5%	3.14	3.3	3.47	V
IDD	Active(operating) current, +20%		6.5	8	mA
Vout Digital Input (Typ conditions : AVDD = 3.3V)					
VIL	Input voltage LOW			1.1	V
VIH	Input voltage HIGH	1.5			V
Vout Digital Output					
VOL(IO=3mA)	Output voltage LOW		0.8		V
VOH(IO=3mA)	Output voltage HIGH		1.8		V
Clock Input (Typ conditions : AVDD = 3.3V)					
VIL	Input Voltage LOW			0.99	V
VIH	Input Voltage HIGH	2.31			V
CIN	Input Capacitor			10	pF

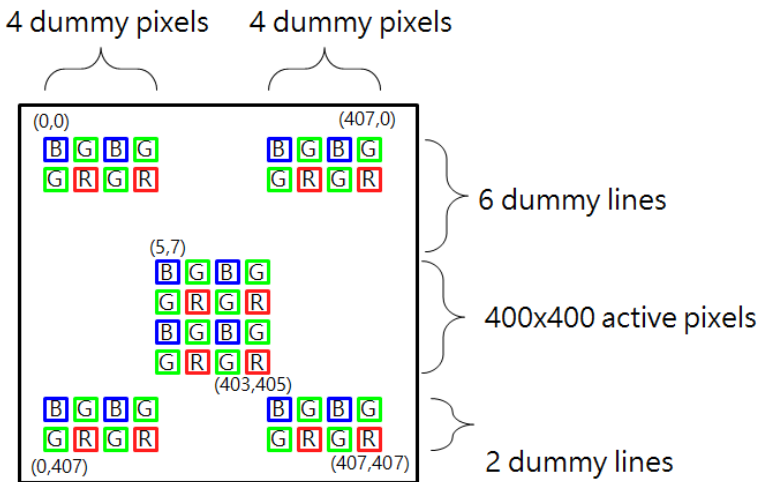


Document Title	400x400 MCMF Specifications	Page No.	11/21
Document No.		Revision	0.1

Optical Specifications

The pixel array consists of 408 x 408 square rolling shutter pixels with a pitch of 1.008 μm (1.008 μm x 1.008 μm). This results in an optical area of 411.264 μm x 411.264 μm . Figure 4 shows a cross-section of the image sensor array.

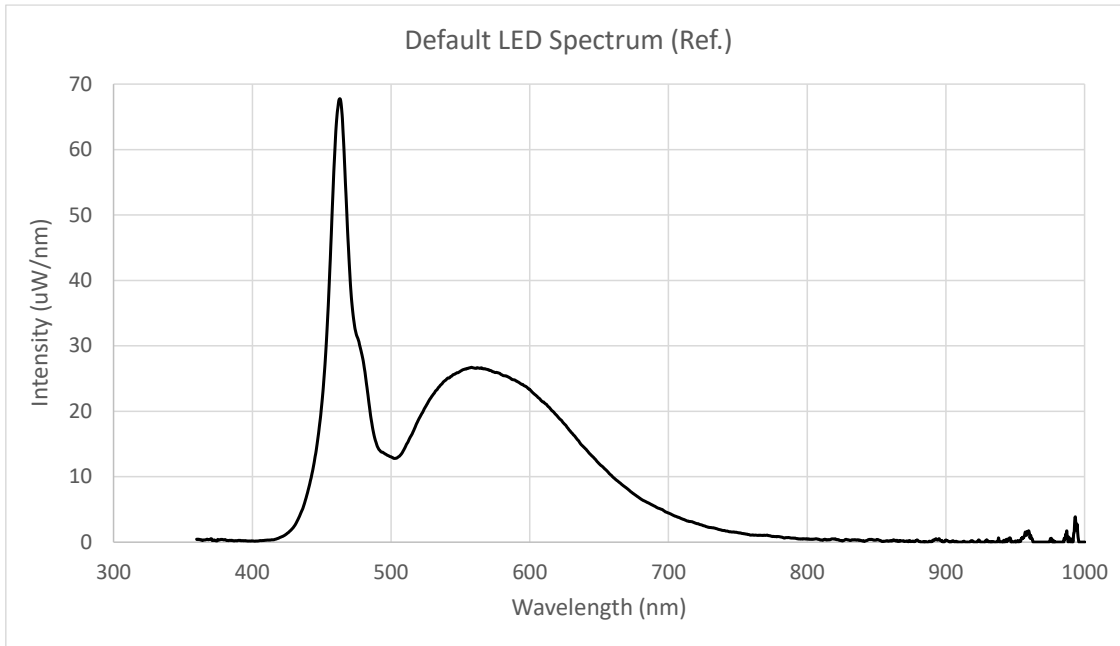
Figure 4 Pixel Array





Document Title	400x400 MCMF Specifications	Page No.	12/21
Document No.		Revision	0.1

Figure 5 Default LED Illumination Spectrum





Document Title	400x400 MCMF Specifications	Page No.	13/21
Document No.		Revision	0.1

Table 4 Optical Characteristics

MCMF160120 Series

Parameters	Value	Unit	Remark
Field of View (H & V)	100	Degree	Horizontal
Field of View (D)	120	Degree	Diagonal
F Number	2.8	/	
Focal Length	0.175	mm	
TV Distortion	< 11%	/	
Depth of Field	2 ~ 60	mm	
IR Band Pass Filter	660 +/- 10	nm	50% cut-off



Document Title	400x400 MCMF Specifications	Page No.	14/21
Document No.		Revision	0.1

Tables of Model Names

Table 5 Model Name for MCMF Micro-Camera Module

Group	Resolution	FOV (Diagonal)	Cable Dia.	Cable Length	Model Name
Micro-Camera Module (MCM)	400 x 400	120	Typ. 0.40mm	Max. 200cm	MCMF-B160120
			Typ. 0.55mm	Max. 300cm	MCMF-C160120
			Typ. 0.35mm	Max. 200cm	MCMF-D160120

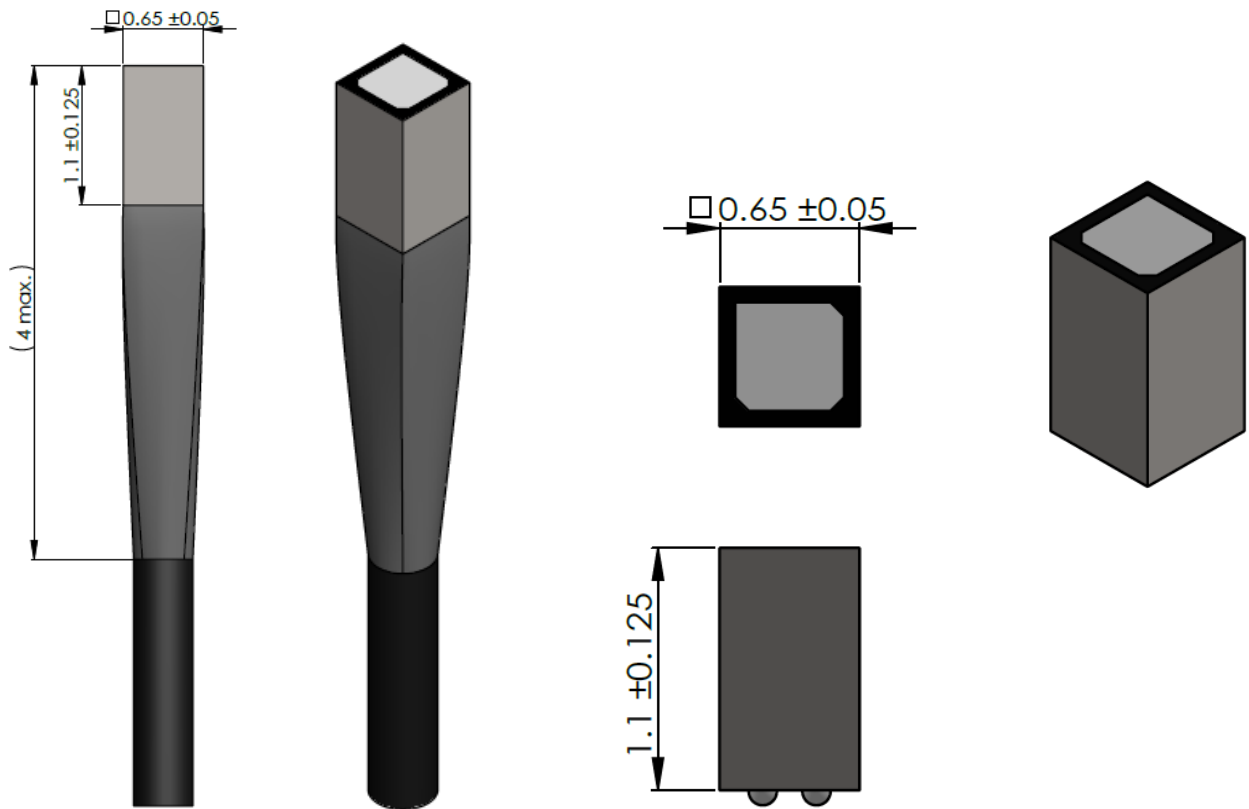


Document Title	400x400 MCMF Specifications	Page No.	15/21
Document No.		Revision	0.1

Mechanical Drawings

Figure 6 Micro-Camera Module Outline Drawing

Model Name: MCMF-B/C/D Series



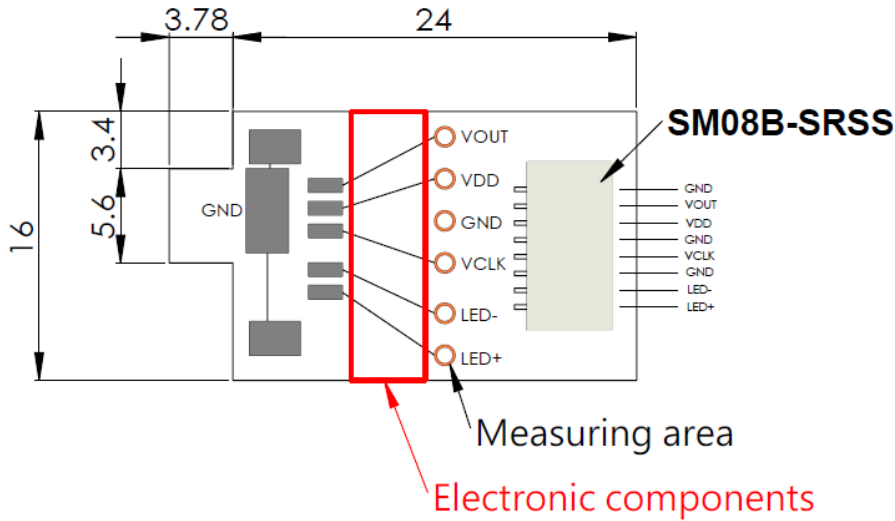
Notes:

1. Dimensions are in millimeters.
2. Tolerances unless mentioned are ± 0.1 mm.



Document Title	400x400 MCMF Specifications	Page No.	16/21
Document No.		Revision	0.1

Figure 7 Connector Board Outline Drawing



Notes:

1. Dimensions are in millimeters.
2. Tolerances unless mentioned are ± 0.1 mm.



Document Title	400x400 MCMF Specifications	Page No.	17/21
Document No.		Revision	0.1

Shipping and Packing

Figure 8 Drawings of Micro-Camera Module Packing Tray

