



ANATECH ELECTRONICS INC
RF & Microwave Filters & Products

1600 MHz Ceramic Bandpass Filter

Part Number: AM1600B1143



Electrical specifications

Center Frequency: 1600 MHz
Bandwidth: $F_0 \pm 150$ MHz
VSWR: 1.5 : 1 dB max
Input / Output Impedance: 50 Ohms
Passband: 1525-1675 MHz
Passband Insertion Loss: 1.2 dB max
Passband Ripple: 0.5 dB max
Ripple in $F_0 \pm 12$ MHz: 0.15 dB Max
Rejection: 60 dBc min at 1300 MHz
Rejection 2: 45 dBc min at DC-1290 MHz
Rejection 3: 45 dBc min at 2600-3400 MHz

Mechanical

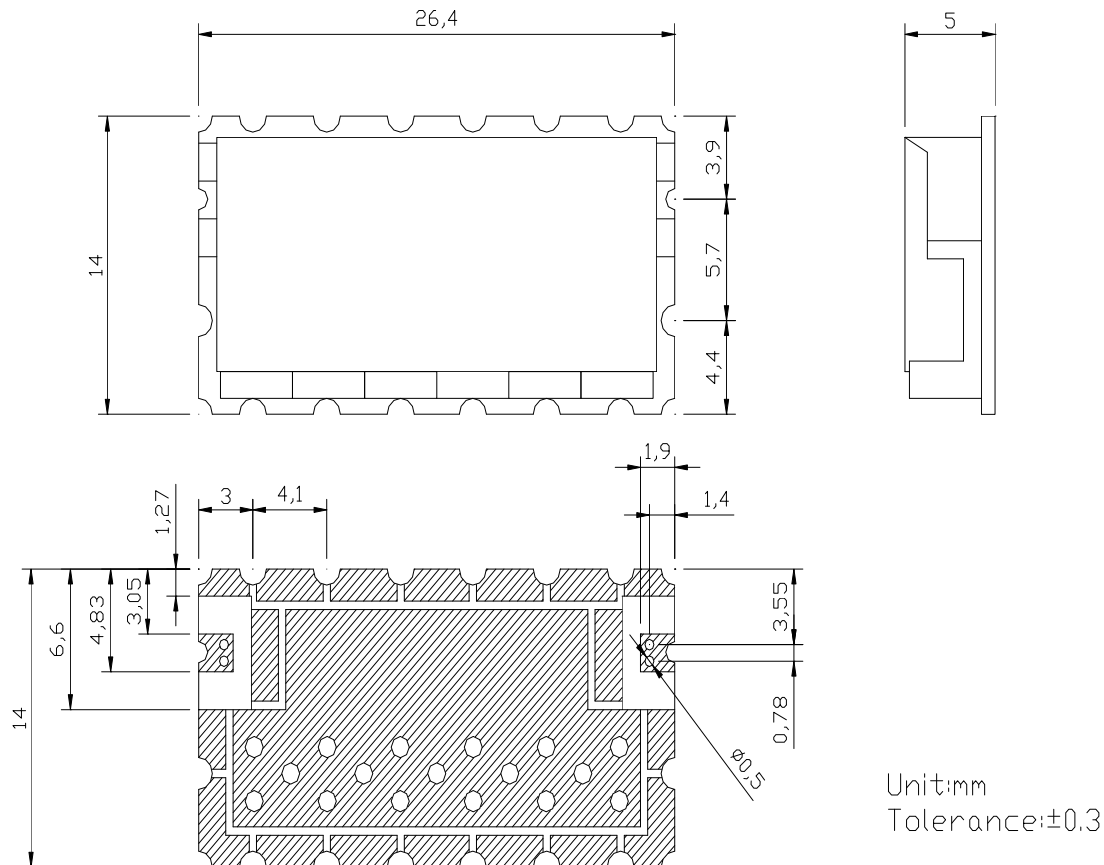
Mounting Method: SMT
Dimensions: 26.4 x 14 x 5 mm

Environmental

Operating Temperature: -20°C to 70°C
Storage Temperature: -50°C to +90°C

This product is RoHs compliant.

Outline Drawing:





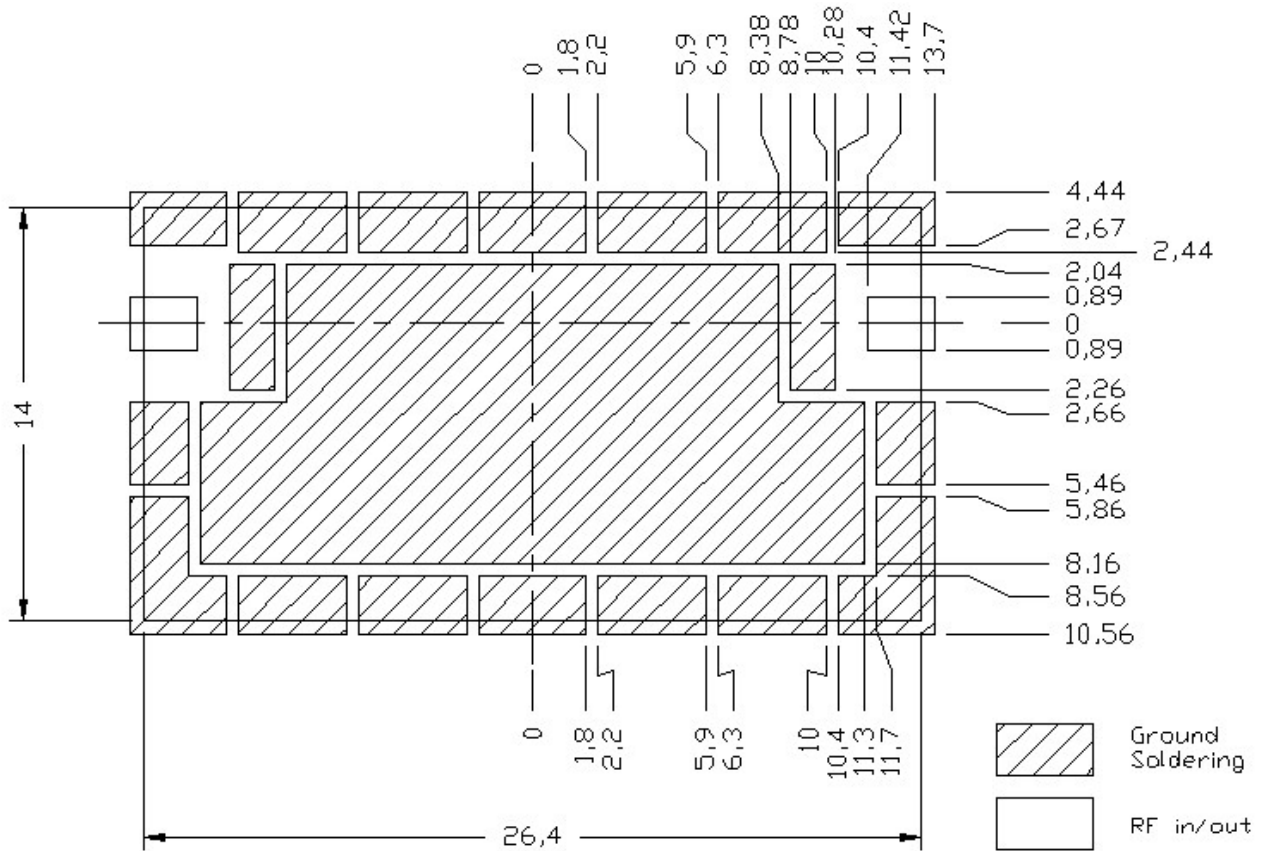
ANATECH ELECTRONICS INC
RF & Microwave Filters & Products

1600 MHz Ceramic Bandpass Filter

Part Number: AM1600B1143



Footprint:





Response Plot:

