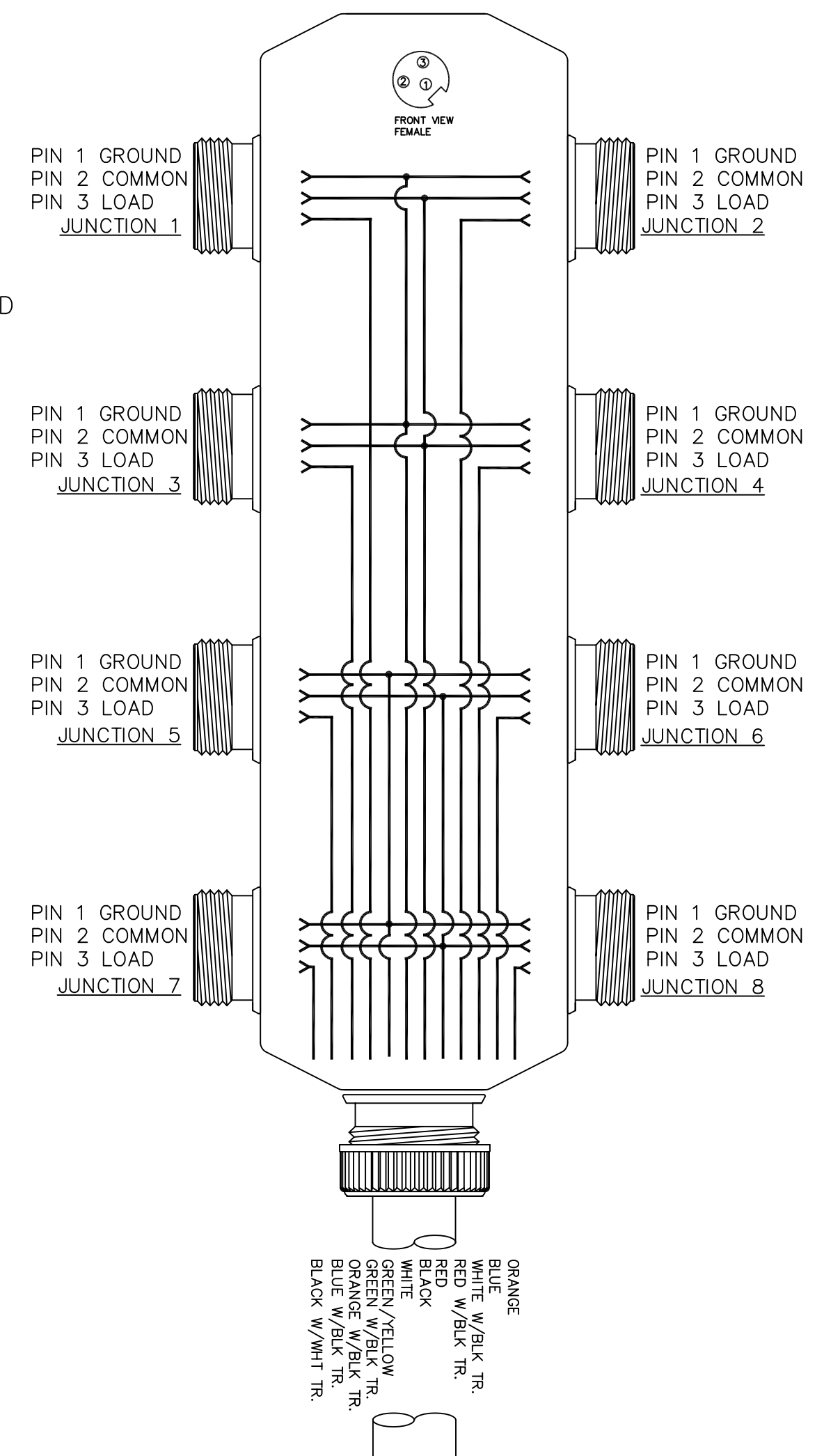
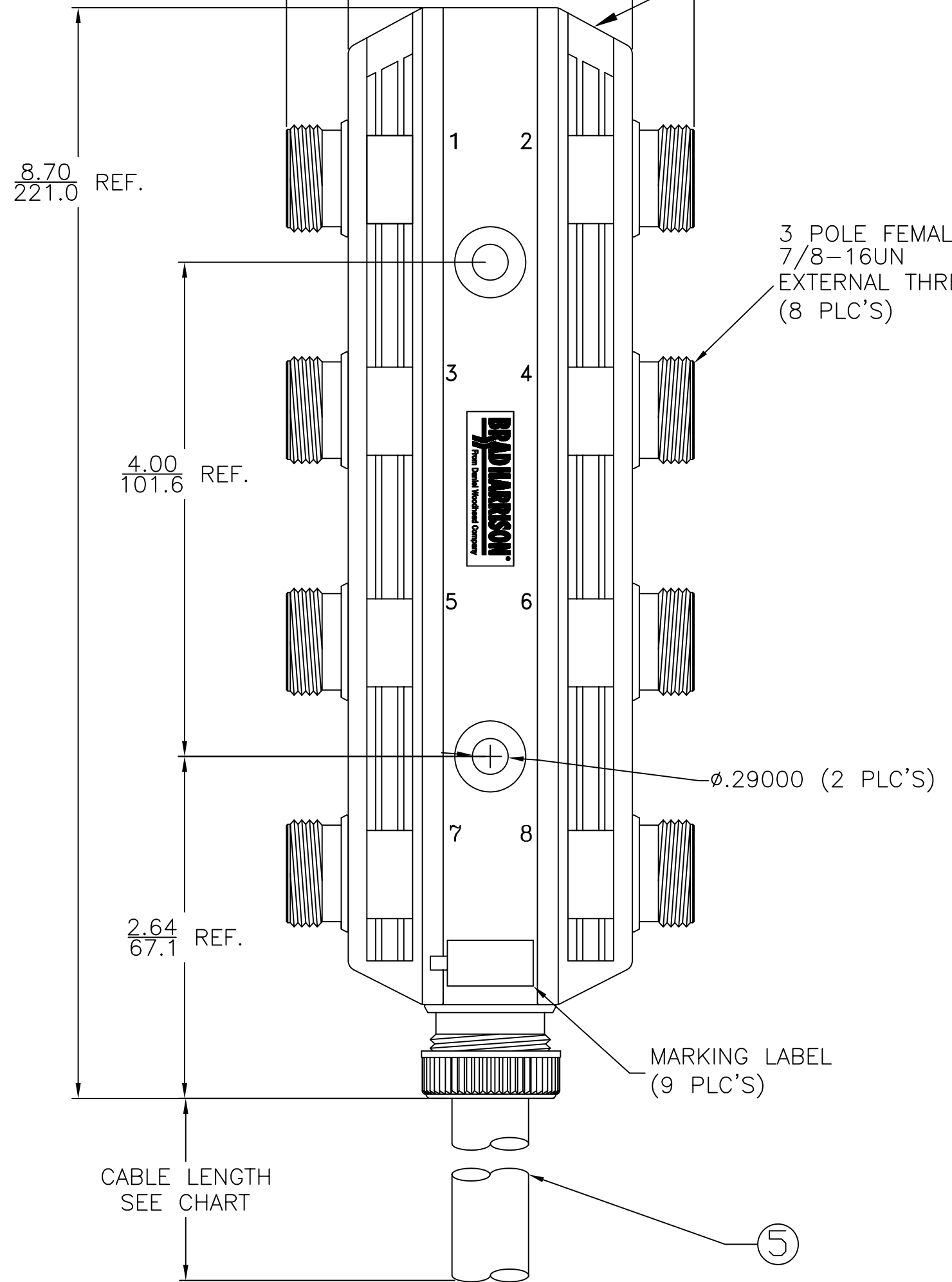
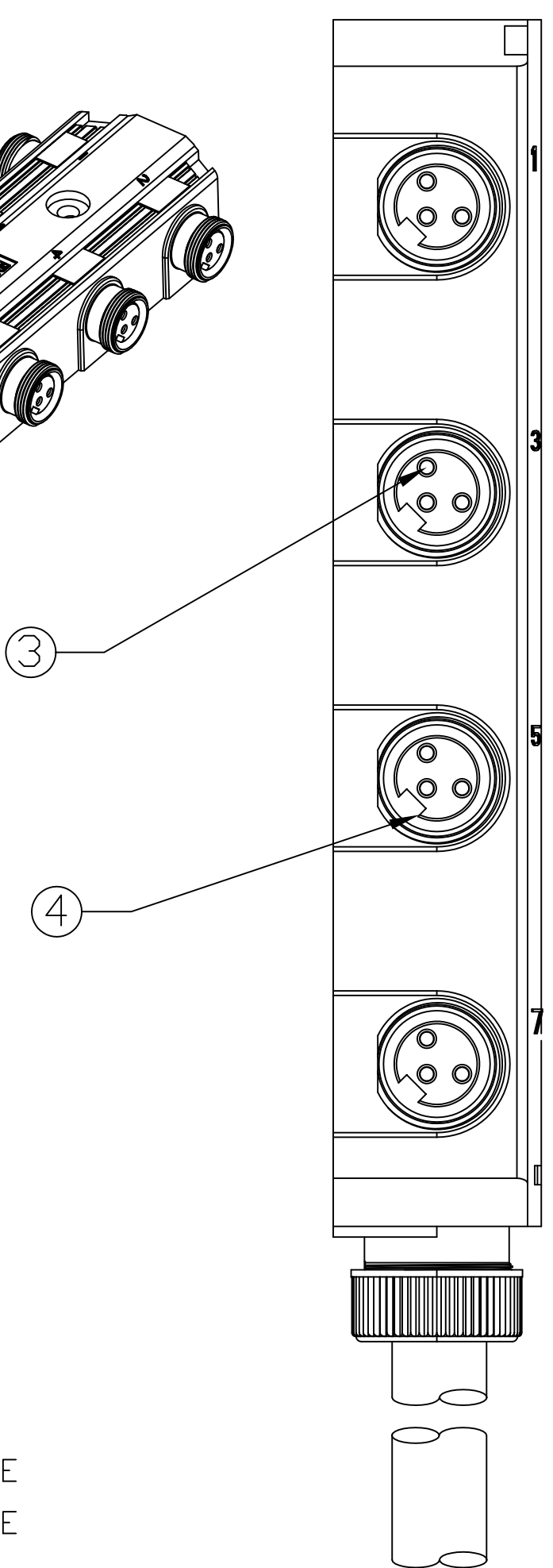
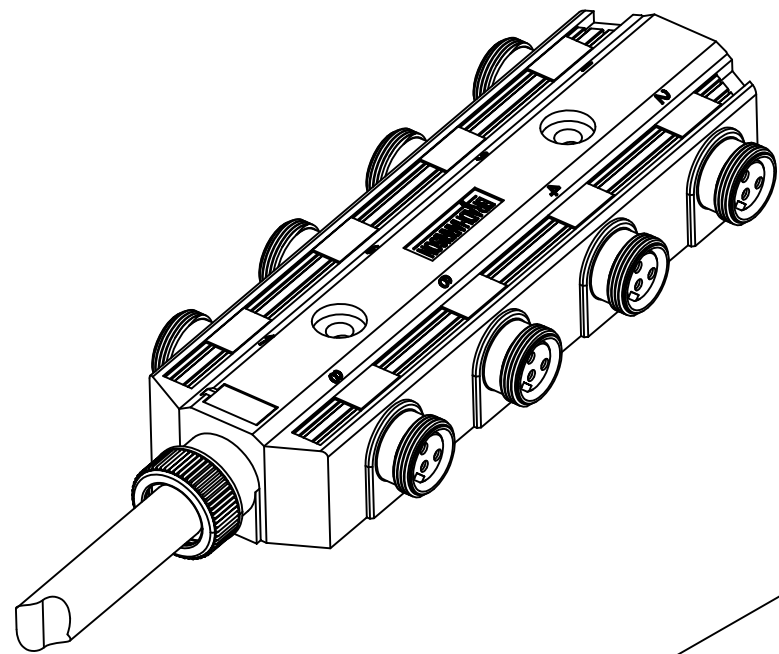
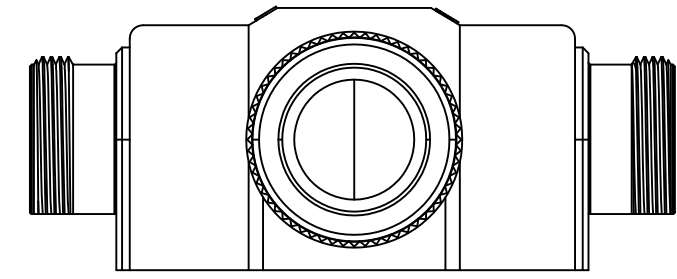


13	12	11	10	9	8	7	6	5	4	3	2	1
MATERIAL NUMBER	ENGINEERING NUMBER	CABLE LENGTH										
1300600022	409P893-03	3.00' +1.75" -0 [0.91M +44.5 -0]										



- NOTES:
- 1) MATERIAL: SEE TABLE
 - 2) FINISHES: SEE TABLE
 - 3) ELECTRICAL DATA:
VOLTAGE: 600V AC/DC
AMPERAGE: 7AMPS PER MPIS UNIT
 - 4) ENVIRONMENTAL:
PROTECTION IP67
OPERATING TEMPERATURE RANGE: -25C TO 90C
 - 5) LABEL IS MARKED WITH P/N, DATE CODE, AND SCHEMATIC
 - 6) CERTIFICATION:
UL: UL RECOGNIZED
CSA: CSA CERTIFIED

ITEM	QTY.	DESCRIPTION	MATERIAL	FINISH
5	1	CABLE	PVC JACKET	YELLOW
4	8	INSERT	PVC	YELLOW
3	24	SOCKET CONTACT	COPPER ALLOY	GOLD PLATED
2	8	RECEPTACLE SHELL	E-COATED ZINC ALLOY	BLACK
1	1	HOUSING	PBT	YELLOW



EC NO: WNA2010-0456 DRWN: TWOLDEGE 2010/01/25 CH'KD: BWOODMAN APPR: JFMURPHY 2010/01/29 RELEASE	DESCRIPTION REV	QUALITY SYMBOL $\nabla=0$ $\sphericalangle=0$	GENERAL TOLERANCES (UNLESS SPECIFIED)		DIMENSION STYLE ----		SCALE 1:1	DESIGN UNITS INCH	THIRD ANGLE PROJECTION	
		4 PLACES $\pm---$ mm 3 PLACES $\pm---$ INCH 2 PLACES ± 0.13 mm 1 PLACE ± 0.25 mm	4 PLACES $\pm---$ INCH 3 PLACES ± 0.005 INCH 2 PLACES ± 0.010 INCH 1 PLACE ± 0.020 INCH	DRAWN BY ----	DATE ----	TITLE 8PORT SIDE MOUNT MPIS 8PORT 3-POLE FEMALE W/ MOLDED HOME RUN CABLE				
		ANGULAR $\pm 1/2^\circ$		CHECKED BY BWOODMAN	DATE ----	MOLEX INCORPORATED				
		DRAFT WHERE APPLICABLE MUST REMAIN WITHIN DIMENSIONS		APPROVED BY JFMURPHY	DATE 2010/01/29	MATERIAL NO. SEE CHART	DOCUMENT NO. SD-130060-008	SHEET NO. 1 OF 1		

THIS DRAWING CONTAINS INFORMATION THAT IS PROPRIETARY TO MOLEX INCORPORATED AND SHOULD NOT BE USED WITHOUT WRITTEN PERMISSION