

Edgemax LED Module



Features

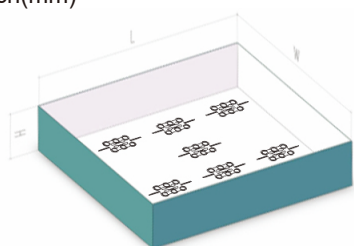
- Chain of 20 pcs LED modules.
- High efficiency LED.
- High color consistency.
- Beam characteristic: 160° .
- Protection class of LED module: IP67.
- Flexible chain, can be split between any module.
- Mounting with screw or premounted double-sided adhesive tape possible.
- Nominal life-time up to 50,000 h (at tc 50°C).
- Best for 200~500mm depth light boxes and channel letters.
- Warranty : 5 years

Specification

Dimension	2.9*1.9"(74*48mm)
Power	3W±10%
Working voltage	12V
Driving mode	Constant current
Center distance	10.1"(257mm)
Cascading	20pcs
Working temp	-25~+50°C
Storage temp	-40~+85°C
IP grade	IP67

Application notes

Unit: inch(mm)



WLM-LED-ABS-12V-074048-2835-6

Technical data

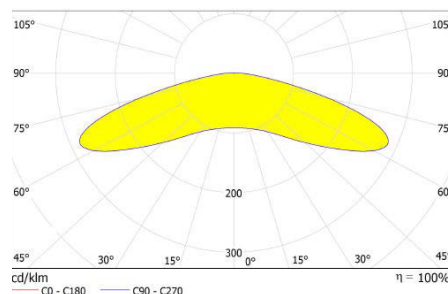
Color temperature or Wavelength	6500 K
CRI	>70
Typ.Flux per module	300 lm

Application data

Max connection number	7.9"(200 mm)
Distance of modules(wire)	7.9"(200 mm)
Max.temperature on module tc	65°C
Risk group(EN 62471:2008)	1
Certification list	CE/ENEC/RoHS/UL

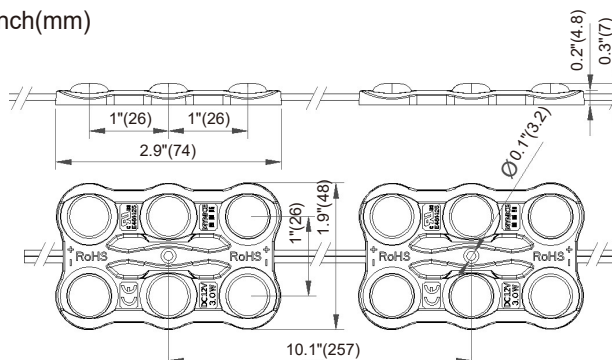
Light distribution

Beam characteristic 160°



Profile drawings

Unit: inch(mm)



Packaging information

Weight per pc	Packaging,low volume	Packaging,high volume
26.8g	40pc(s)	560 pc(s)
	1.07kg	17.0 kg

1 m ² Light Box	7 Modules	Depth	Brightness
		H= 5.9"(150mm)	1960 lux
		H= 7.9"(200mm)	1620 lux
		H= 9.8"(250mm)	1250 ux
		H= 11.8"(300mm)	870 lux
		H= 13.8"(350mm)	850 lux