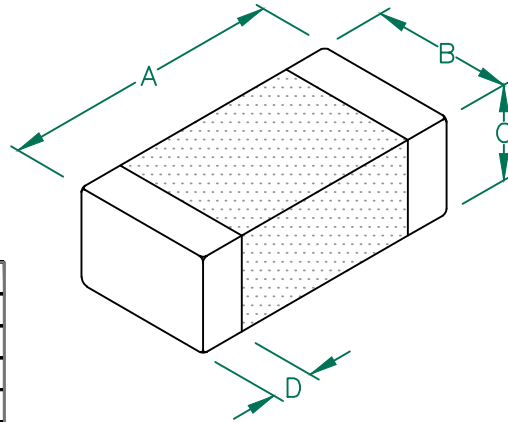


MI1206L391R-10

PHYSICAL DIMENSIONS:

A	3.20 [.126]	+ 0.20 [.008]
B	1.60 [.063]	+ 0.20 [.008]
C	1.10 [.043]	+ 0.20 [.008]
D	0.51 [.020]	+ 0.25 [.010]

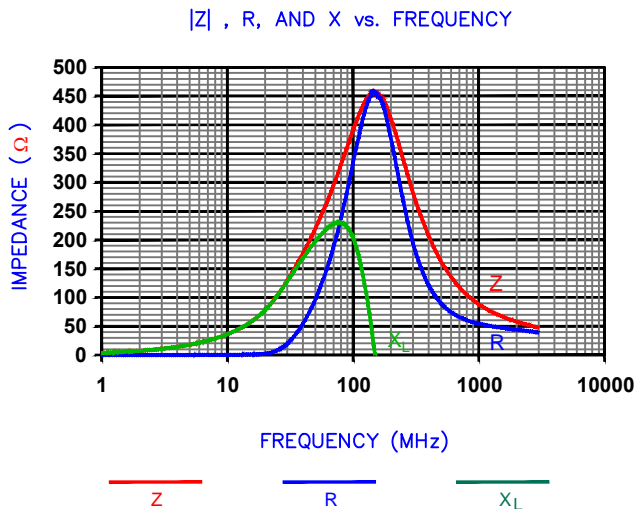
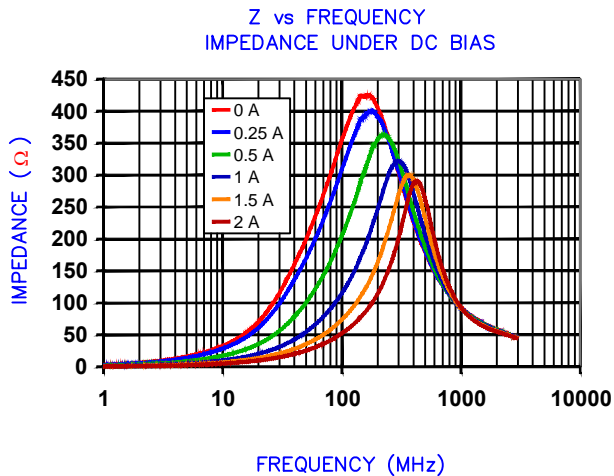


ELECTRICAL CHARACTERISTICS:

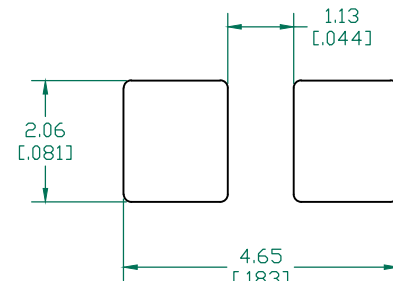
	Z @ 100MHz (Ω)	DCR (Ω)	Rated Current
Nominal	390		
Minimum	293		
Maximum	488	0.050	2000 mA

NOTES: UNLESS OTHERWISE SPECIFIED

1. TAPED AND REELED per CURRENT EIA SPECIFICATIONS 7" REELS, 4000PCS/REEL, EMBOSSED PLASTIC TAPE.
2. TERMINATION FINISH IS 100% TIN.
3. COMPONENTS SHOULD BE ADEQUATELY PREHEATED BEFORE SOLDERING.
4. OPERATION TEMPERATURE: $-40^{\circ}\text{C} \sim +125^{\circ}\text{C}$ (INCLUDING SELF-HEATING)

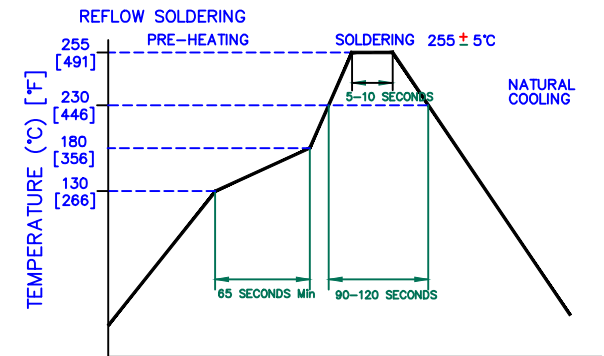


LAND PATTERNS FOR REFLOW SOLDERING



(For wave soldering, add 0.762 (.030) to this dimension)

RECOMMENDED SOLDERING CONDITIONS



DIMENSIONS ARE IN mm [INCHES].				This print is the property of Laird Tech. and is loaned in confidence subject to return upon request and with the understanding that no copies shall be made without the written consent of Laird Tech. All rights to design or invention are reserved.			
E	UPDATE LAIRD LOGO AND NOTES 4	08/05/13	QU				
D	UPDATE SOLDERING CONDITIONS, AND ADD OPERATION TEMPERATURE	08/05/11	WEI				
C	UPDATE COMPANY LOGO	08/25/08	JRK				
B	ADD DC BIAS AND Z R X CURVES	11/10/06	TMB				
A	ORIGINAL DRAFT	11/07/06	JRK				
REV	DESCRIPTION	DATE	INT	PROJECT/PART NUMBER: MI1206L391R-10	REV E	PART TYPE: CO-FIRE	DRAWN BY: JRK
				DATE: 08/05/11	SCALE: NTS	SHEET: 1 of 1	
				CAD # MI1206L391R-10-E	TOOL # -		