

D

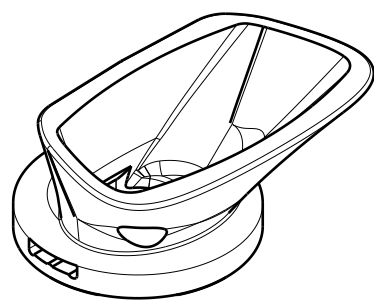
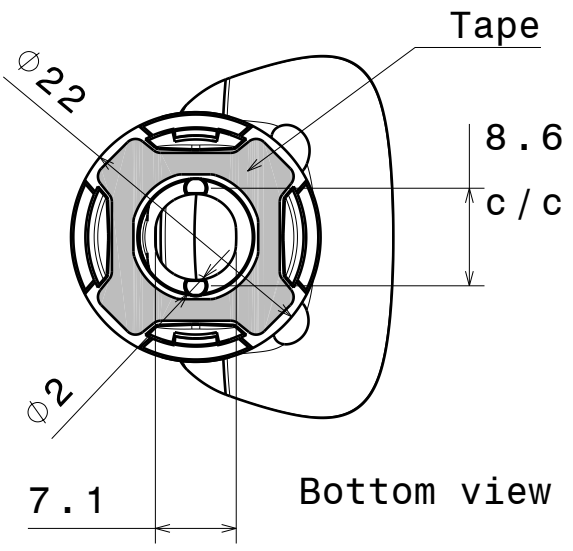
C

B

A

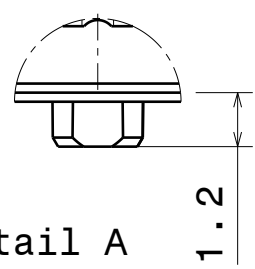
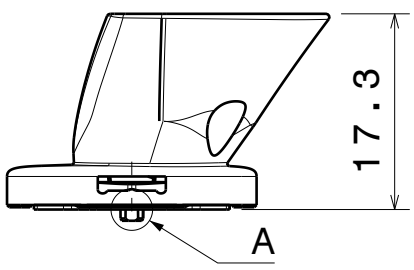
4

4



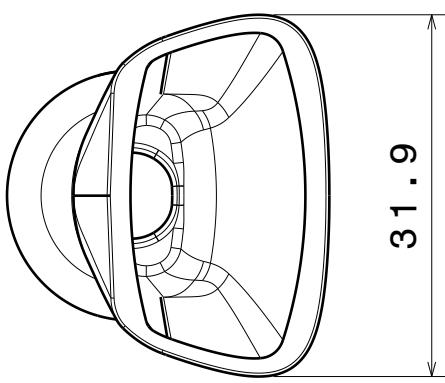
3

3



2

2



Materials

Reflector: PC  
Tape: Acrylic foam

This drawing is our property.  
It can't be reproduced  
or communicated without  
our written agreement.

**LEDIL** LediL Oy  
Salorankatu 10  
FIN 24240 SALO  
Finland

DRAWING TITLE Mechanical drawing  
**RITA-WAS**

DRAWN BY  
**as**

DATE  
27.9.2012

CHECKED BY  
**sn**

DATE  
-

SIZE  
**A4**

PART NUMBER

REV  
**001**

DESIGNED BY  
-

DATE  
-

SCALE **3:2**

WEIGHT - g

SHEET

**1/1**

D

A

1

1