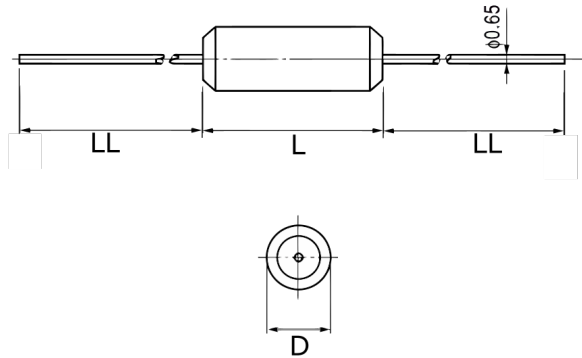


M-TRS5-70B

Aliases (USEI70B0000000)

KEMET, TRS, Thermal Reed Switch, Axial, 2.5C Temperature Accuracy, High Reliability, High-Speed Response, Long Operational Life, Excellent Environmental Durability, High Temperature Accuracy, 70°C, Break



Click [here](#) for the 3D model.

Dimensions

| | |
|---|------------|
| D | 8.8mm NOM |
| L | 57.5mm MAX |

Packaging Specifications

| | |
|--------------------|-----------|
| Packaging | Tray, Box |
| Packaging Quantity | 1000 |
| Component Weight | 4.1g |

General Information

| | |
|-------------|---|
| Series | TRS |
| Type | Thermal Reed Switch |
| Style | Axial |
| Description | Thermal Reed Switch |
| Features | High Reliability, High-Speed Response, Long Operational Life, Excellent Environmental Durability, High Temperature Accuracy |
| Lead | Wire Leads |
| RoHS | Yes |
| REACH | Yes |

Specifications

| | |
|-----------------------------|--|
| Switching Temperature | 70C +/-2.5C |
| Temperature Range | -20/+150°C |
| Contact Type | Break |
| Voltage DC | 200 VDC MAX (Opening/Closing), 1000 VAC/1 minute or 1200 VAC/1 second |
| Voltage AC | 140 VAC MAX (Opening/Closing) |
| Current | 0.55 Amps AC/DC MAX (Opening/Closing), 1 mAmps MIN (5VDC, Opening/Closing) |
| Resistance | 150 mOhms MAX (Contact Resistance) |
| Max Opening/Closing Power | 60.5 W (AC/DC); 10 W (DC) |
| Max Opening/Closing Voltage | 140 V (AC); 200 V (DC) |
| Differential Temperature | 10C Maximum |