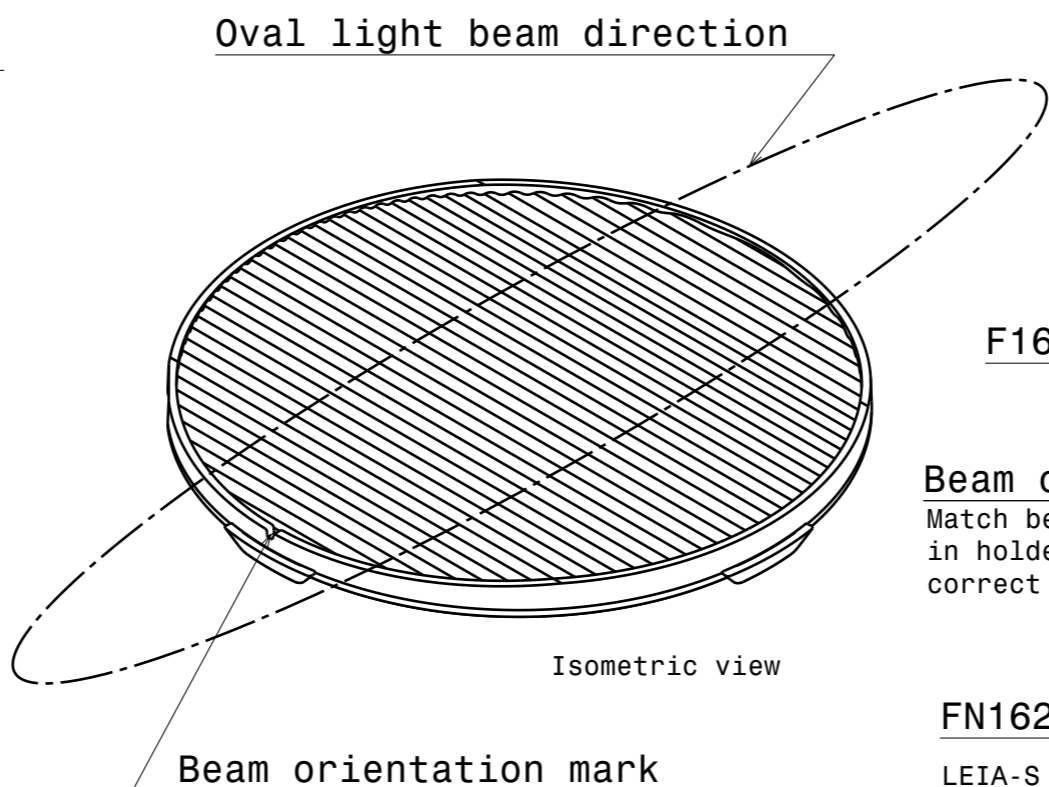
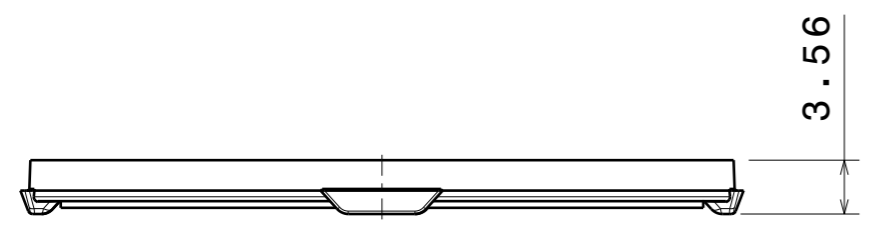


Top view



Isometric view



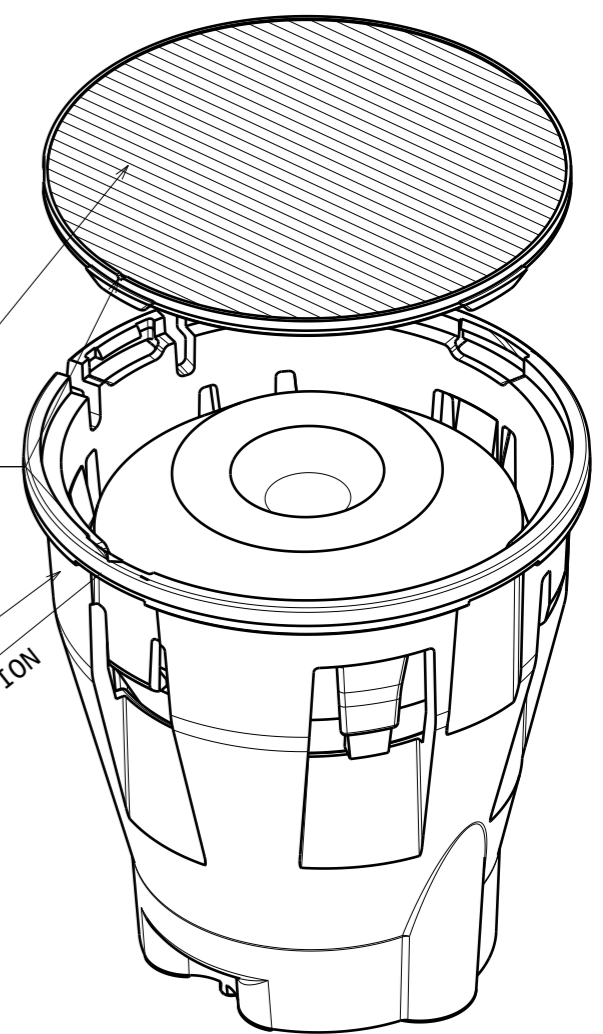
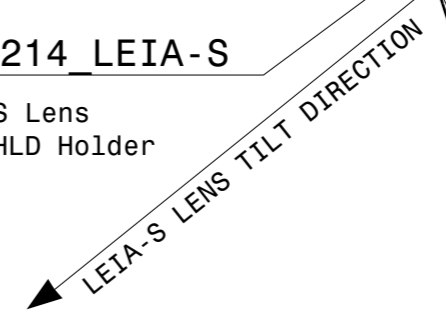
Front View

F16629\_LEIA-SUB-0

**Beam orientation mark**  
Match beam orientation mark in holder and lens to achieve correct beam direction

FN16214\_LEIA-S

LEIA-S Lens  
LEIA-HLD Holder



Isometric view  
Scale: 3:2

LEIA-SUB-0 lens can be attached to FN16214 assembly which contains LEIA-S lens and LEIA-HLD

PART	TYPE	MATERIAL	COLOR / COATING
F16629_LEIA-SUB-0	LENS	PMMA	CLEAR

<b>MECHANICAL DRAWING</b>		<b>LEDiL<sup>®</sup></b>
PRODUCT <b>LEIA</b>		
Plastic moulding general tolerances according to DIN 16901-130 and applies if not otherwise shown in the drawing. Silicone moulding general tolerances according to ISO 3302-1 Class M3 and applies if not otherwise shown in the drawing.	FIRST ANGLE PROJECTION: 	This drawing is the property of LEDiL Oy. It may not be copied or otherwise distributed without prior written permission from LEDiL Oy.
SCALE 2:1	WEIGHT -	A3 SHEET 1/1

**Notes**  
Ensure LED fitting from a product specific 3D model available from [www.ledil.com](http://www.ledil.com)  
For more details about installation please see LEDiL Installation Guide on [www.ledil.com](http://www.ledil.com)