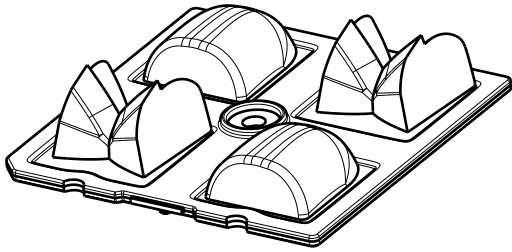


D

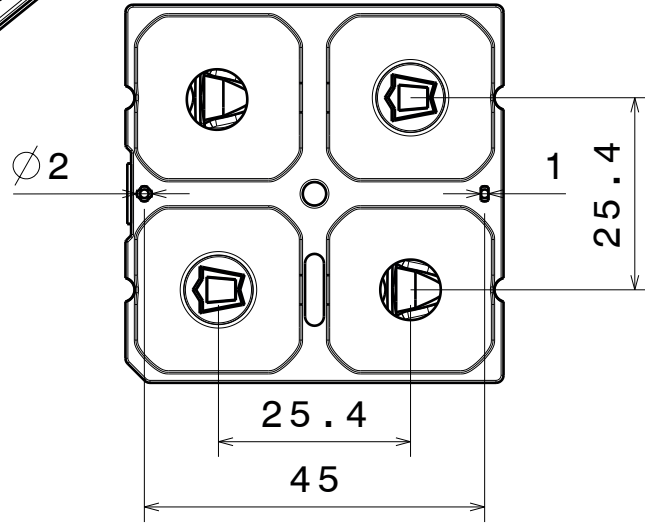
C

B

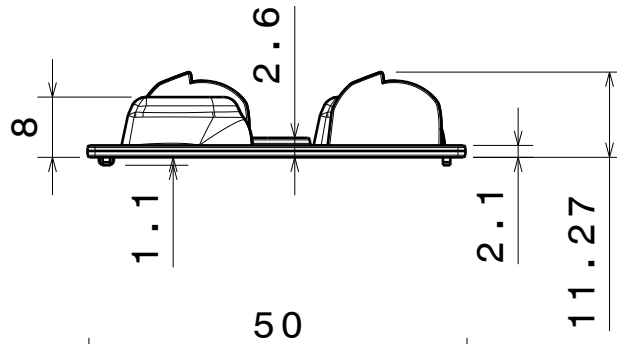
A



Isometric view

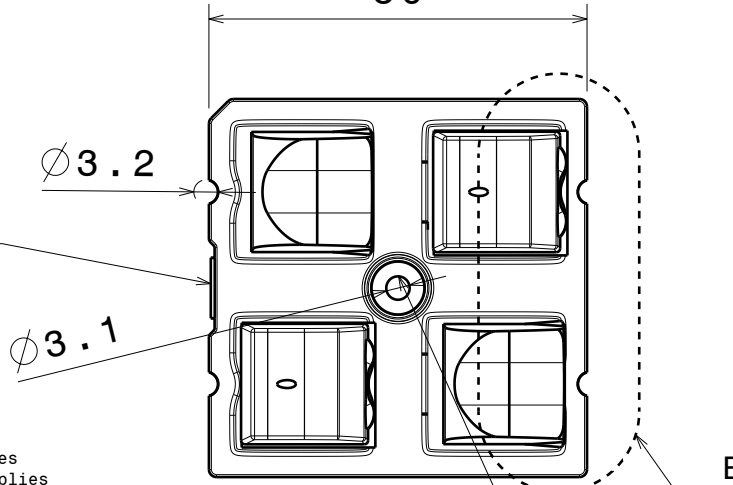


Bottom view



Front view

Injection gate



Top view

Beam direction (street side)

Screw hole

Plastic moulding general tolerances according to DIN 16901-130 and applies if not otherwise shown in the drawing.  
 Silicone moulding general tolerances according to ISO 3302-1 Class M3 and applies if not otherwise shown in the drawing.

Material: PMMA

This drawing is our property. It can't be reproduced or communicated without our written agreement.



Ledil Oy  
 Salorankatu 10  
 FIN-24100 SALO  
 Finland

DRAWING TITLE

Datasheet Strada-2x2-DNW

DRAWN BY  
ah/mav

DATE  
10.9.2012

CHECKED BY  
ol

DATE  
10.9.2012

SIZE  
A4

DRAWING NUMBER  
C12360

REV  
4

DESIGNED BY  
ol

DATE  
18.10.2011

SCALE 1:1 WEIGHT (g)

SHEET 1/1

D

A

4

4

3

3

2

2

1

1