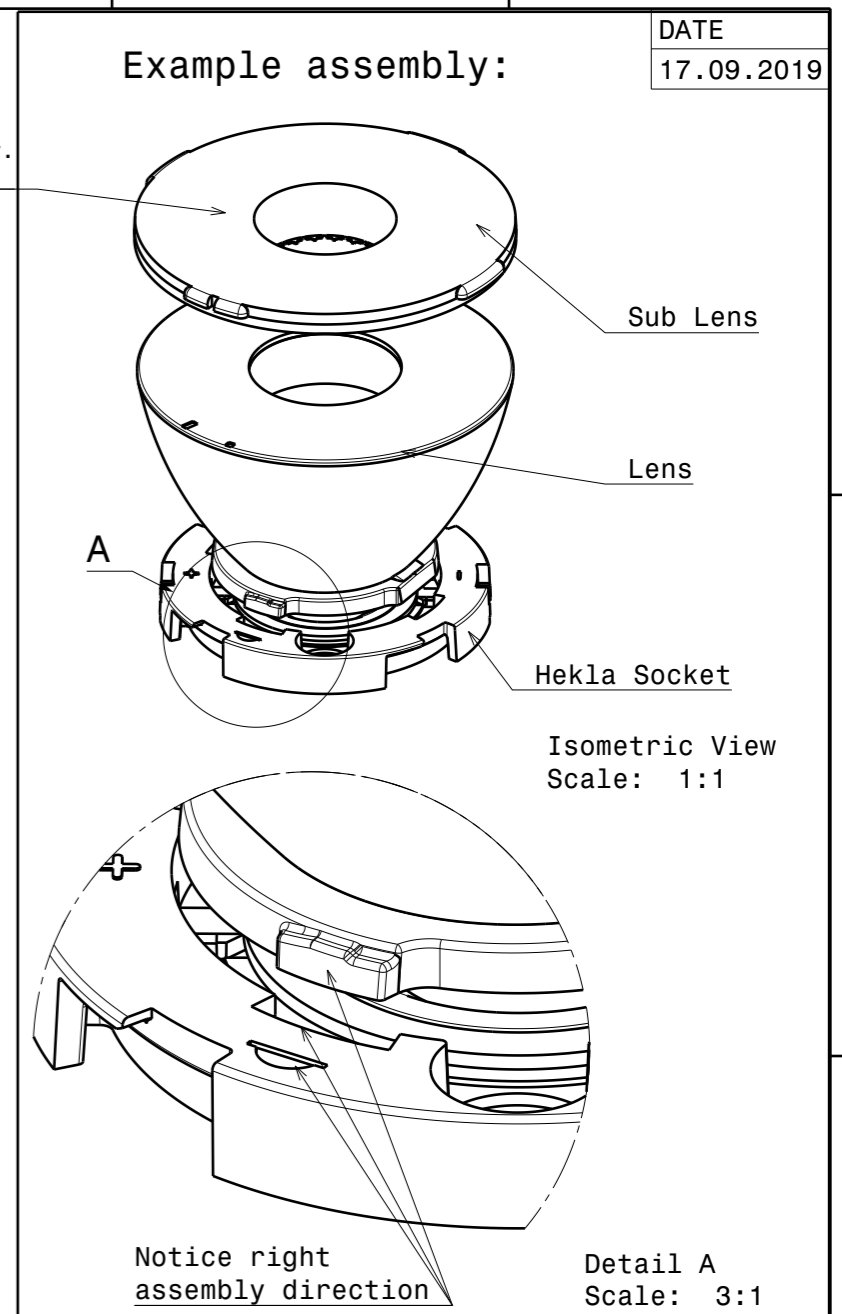


SUB-lens rotate freely.
Beam angle changing smoothly.
spot-wide-spot-wide....



CN17297_ILONA-ZOOM

COMPONENTS

INDEX	PART	TYPE	MATERIAL	COLOR
1	C17295_ILONA-ZOOM	Lens	PMMA	Clear
2	C17296_ILONA-ZOOM-SUB	Lens	PMMA	Clear

MECHANICAL DRAWING

PRODUCT
ILONA

Plastic moulding general tolerances according to DIN 16901-130 and applies if not otherwise shown in the drawing.
Silicone moulding general tolerances according to ISO 3302-1 Class M3 and applies if not otherwise shown in the drawing.

FIRST ANGLE PROJECTION:

SCALE 1:1 WEIGHT - A3 SHEET 1/1

LEDiL®

This drawing is the property of LEDiL Oy. It may not be copied or otherwise distributed without prior written permission from LEDiL Oy.

- Notes**
- PCB or heatsink level.
 - LED location
 - Ensure LED fitting from a product specific 3D model available from www.ledil.com
 - For more details about installation please see LEDiL Installation Guide on www.ledil.com