

Features

- ESD/Surge protection for two lines with bi-directional
- Provide transient protection for each line to **IEC 61000-4-2 (ESD) $\pm 30\text{kV}$ (air), $\pm 30\text{kV}$ (contact)**
IEC 61000-4-4 (EFT) 80A (5/50ns)
IEC 61000-4-5 (Lightning) 6.5A (8/20 μs)
- Suitable for, 24V and below, operating voltage applications
- Fast turn-on and low clamping voltage
- Array of ESD rated equivalent TVS diodes
- Small package saves board space
- Solid-state silicon-avalanche and active circuit triggering technology
- **Green part**

Applications

- CAN bus protection
- Industrial control
- Power management system
- Set-top box
- Notebooks, desktops, and servers
- Portable instrumentation
- Peripherals

Description

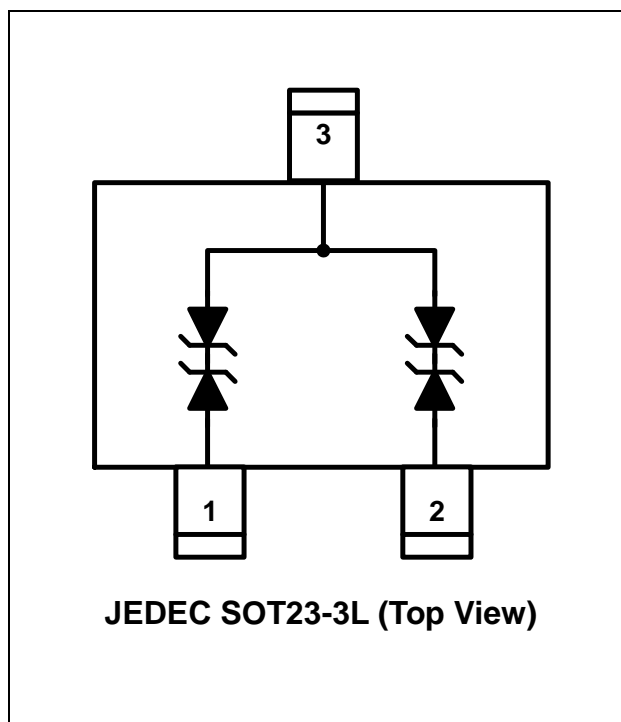
AZ4824-02S is a design which includes ESD /EFT/surge rated clamping cell arrays to protect the power lines or control lines in an electronic system. The AZ4824-02S has been specifically designed to protect sensitive components which are connected to power and control lines from over-voltage caused by Electrostatic Discharging (ESD), Electrical Fast Transients (EFT),

Lightning, and Cable Discharge Event (CDE).

AZ4824-02S is a unique design which includes proprietary clamping cells in a single package. During transient conditions, the proprietary clamping cells prevent over-voltage on the power lines or control lines, protecting any downstream components.

AZ4824-02S may be used to meet the ESD immunity requirements of IEC 61000-4-2, Level 4 ($\pm 15\text{kV}$ air, $\pm 8\text{kV}$ contact discharge).

Circuit Diagram / Pin Configuration





SPECIFICATIONS

ABSOLUTE MAXIMUM RATINGS (T _A = 25°C, unless otherwise specified)			
PARAMETER	SYMBOL	RATING	UNIT
Peak Pulse Current (tp=8/20μs)	I _{PP}	6.5	A
Operating Voltage (pin-1, -2 to pin-3)	V _{DC}	±26	V
ESD per IEC 61000-4-2 (Air)	V _{ESD-1}	±30	kV
ESD per IEC 61000-4-2 (Contact)	V _{ESD-2}	±30	
Lead Soldering Temperature	T _{SOL}	260 (10 sec.)	°C
Operating Temperature	T _{OP}	-55 to +125	°C
Storage Temperature	T _{STO}	-55 to +150	°C

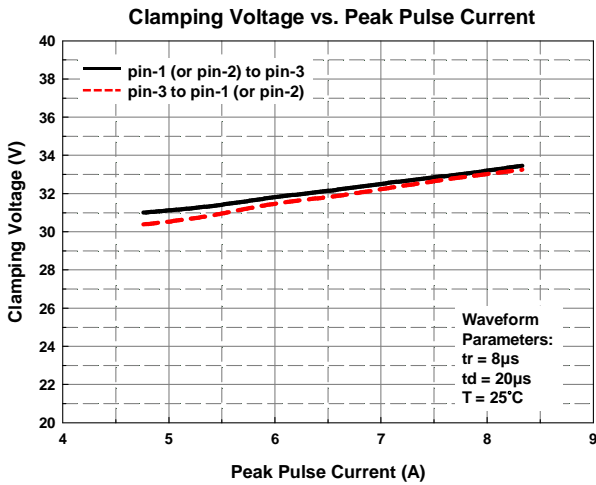
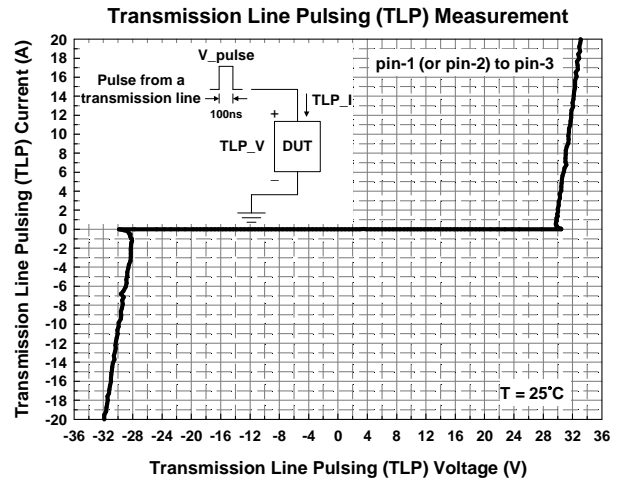
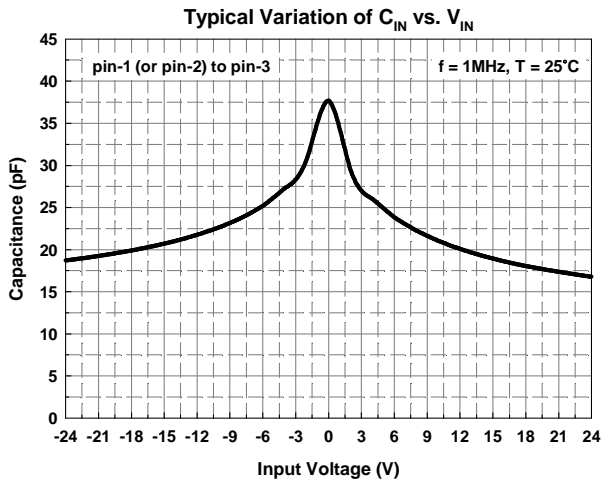
ELECTRICAL CHARACTERISTICS						
PARAMETER	SYMBOL	CONDITION	MIN	TYP	MAX	UNIT
Reverse Stand-Off Voltage	V _{RWM}	Pin-1, -2 to pin-3, T=25°C.	-24		24	V
Reverse Leakage Current	I _{Leak}	V _{RWM} = ±24V, pin-1, -2 to pin-3, T=25°C.			100	nA
Reverse Breakdown Voltage	V _{BV}	I _{BV} = 1mA, pin-1, -2 to pin-3, T=25°C.	26.2		33.5	V
Surge Clamping Voltage	V _{CL-surge}	I _{PP} = 5A, tp = 8/20μs, pin-1, -2 to pin-3, T=25°C.		32		V
ESD Clamping Voltage (Note 1)	V _{CL-ESD}	IEC 61000-4-2 +8kV (I _{TLP} = 16A), contact mode, pin-1, -2 to pin-3, T=25°C.		32		V
ESD Dynamic Turn-on Resistance	R _{dynamic}	IEC 61000-4-2 0~+8kV, contact mode, pin-1, -2 to pin-3, T=25°C.		0.2		Ω
Channel Input Capacitance	C _{IN}	V _R = 0V, f = 1MHz, pin-1, -2 to pin-3, T=25°C.		38	45	pF

Note 1: ESD Clamping Voltage was measured by Transmission Line Pulsing (TLP) System.

TLP conditions: Z₀= 50Ω, t_p= 100ns, t_r= 1ns.



Typical Characteristics



Application Information

The AZ4824-02S is designed to protect two lines against system ESD/EFT/Lightning pulses by clamping it to an acceptable reference. It provides bi-directional protection.

The usage of the AZ4824-02S is shown in Fig. 1. Protected lines, such as data lines, control lines, or power lines, are connected at pin 1 and pin 2, respectively. The pin 3 is connected to a ground plane on the board. In order to minimize parasitic inductance in the board traces, all path lengths connected to the pins of AZ4824-02S should be kept as short as possible.

In order to obtain enough suppression of

ESD induced transient, a good circuit board is critical. Thus, the following guidelines are recommended:

- Minimize the path length between the protected lines and the AZ4824-02S.
- Place the AZ4824-02S near the input terminals or connectors to restrict transient coupling.
- The ESD current return path to ground should be kept as short as possible.
- Use ground planes whenever possible.
- NEVER route critical signals near board edges and near the lines which the ESD transient easily injects to.

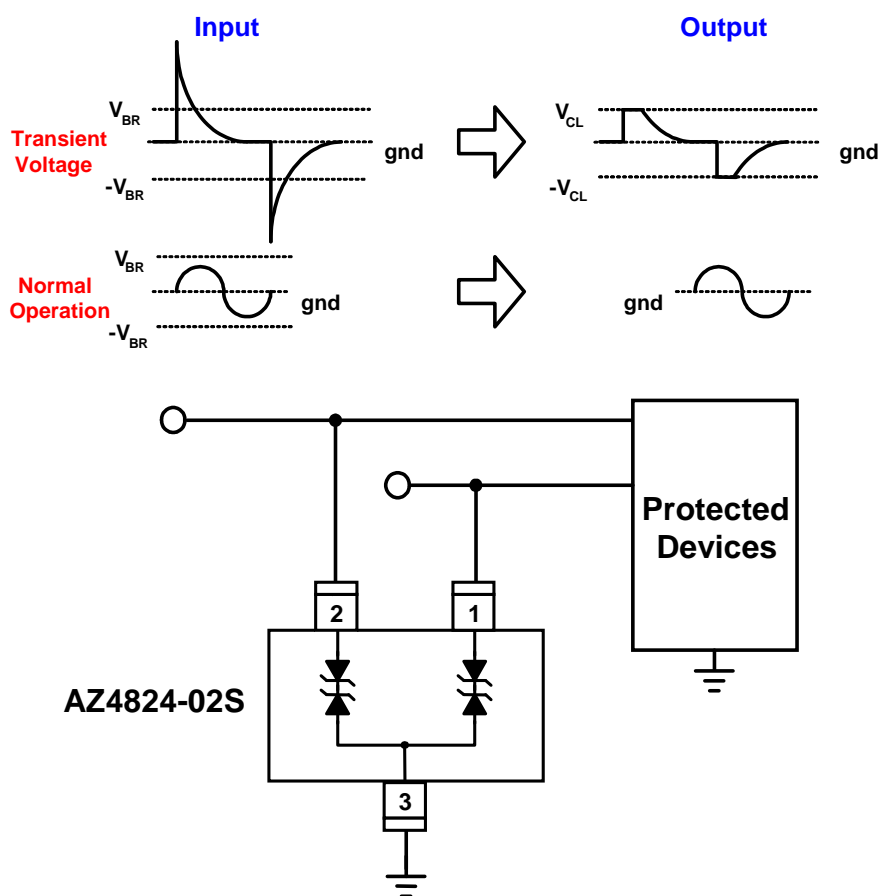
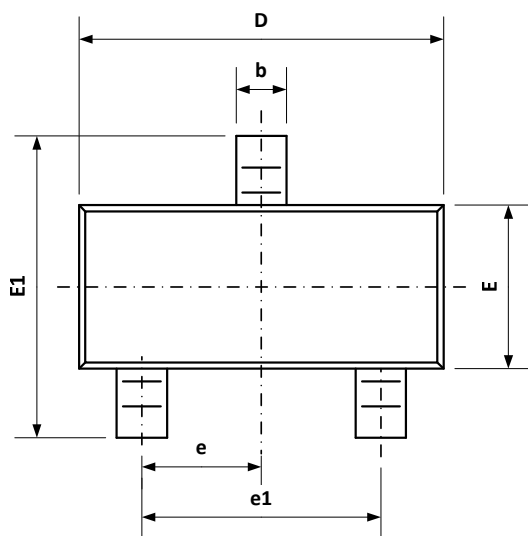


Fig. 1 ESD protection scheme by using AZ4824-02S.

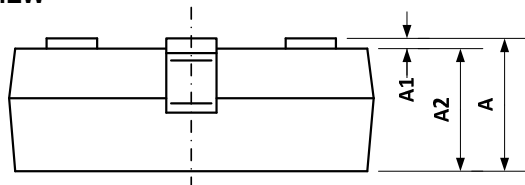
Mechanical Details

SOT23-3L PACKAGE DIAGRAMS

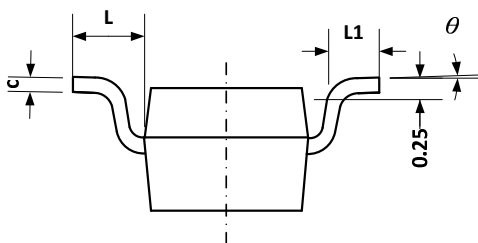
TOP VIEW



SIDE VIEW



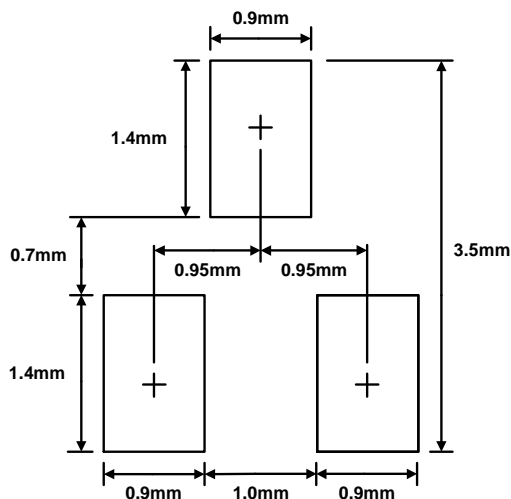
END VIEW



PACKAGE DIMENSIONS

SYMBOL	MILLIMETERS	
	MIN.	MAX.
A	0.90	1.15
A1	0.00	0.10
A2	0.90	1.05
b	0.30	0.50
c	0.08	0.15
D	2.80	3.00
E	1.20	1.40
E1	2.25	2.55
e	0.95 TYP	
e1	1.80	2.00
L	0.55 REF	
L1	0.30	0.50
θ	0	8

LAND LAYOUT

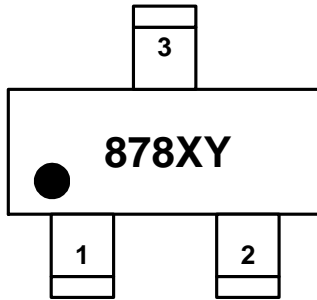


Notes:

This LAND LAYOUT is for reference purposes only. Please consult your manufacturing partners to ensure your company's PCB design guidelines are met.



MARKING CODE



878 = Device Code
X = Date Code
Y = Control Code

Part Number	Marking Code
AZ4824-02S.R7G (Green Part)	878XY

Note. Green means Pb-free, RoHS, and Halogen free compliant.

Ordering Information

PN#	Material	Type	Reel size	MOQ	MOQ/internal box	MOQ/carton
AZ4824-02S.R7G	Green	T/R	7 inch	3,000/reel	4 reels=12,000/box	6 boxes=72,000/carton

Revision History

Revision	Modification Description
Revision 2019/02/15	Formal Release.