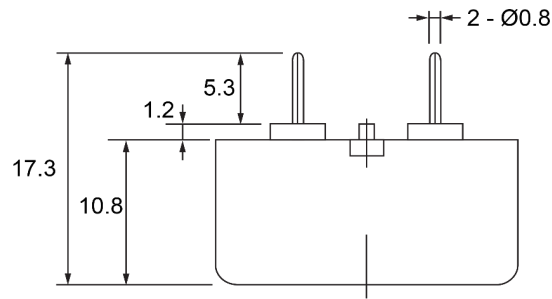
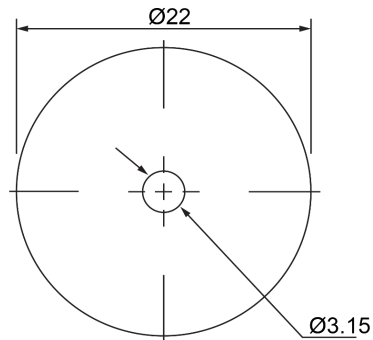


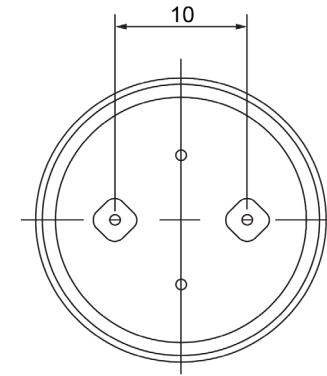
SIDE VIEW



TOP VIEW



BOTTOM VIEW



Specifications

Description	Value	Unit
Technology	Piezo	
Resonant Frequency	2,000	(Hz)
Rated Voltage	3	(V)
SPL @ 10cm	70	(dBA)
Capacitance	30,000	(pF)
Mount Type	Thru Hole	
Voltage Range	1 ~ 30	(V)
Max Rated Current	3	(mA)
Housing Material	PBT	
Operating Temperature	-30 ~ +70	°C
Storage Temperature	-40 ~ +80	°C
Weight	3.2	(g)

Notes

- 1) All dimensions are in mm unless otherwise noted
- 2) All parts meet RoHS



Revision History

Version	Description	Date	Approved		
1	Released from Engineering	10/21/2013	J.S		
Drawn by	Date	Checked by	Date	Approved by	Date
A.B.	10/21/2013	C.E.	10/21/2013	J.S	10/21/2013

Piezo Transducer

TP222003-1