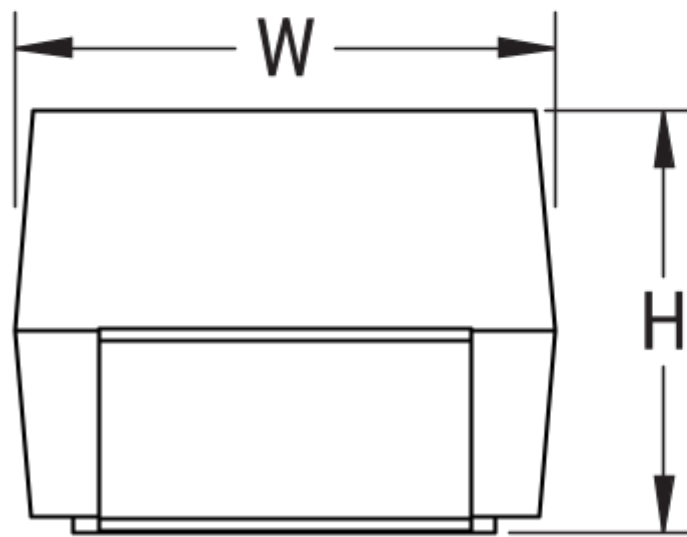
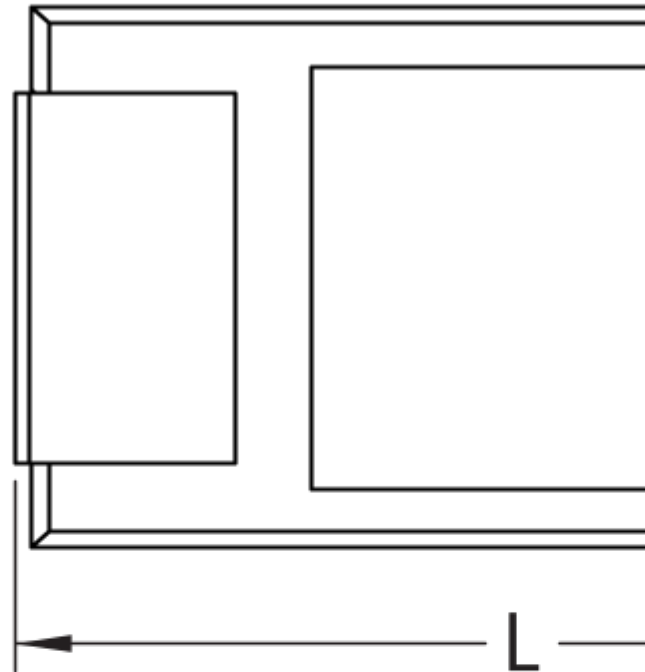


T555B127M015AT

T555, Tantalum, Polymer Tantalum, HRA, 120 uF, 20%, 15 VDC, N/A, 110 mOhms, Height Max = 9.6mm

BOTTOM VIEW



CATHODE (-) END VIEW



Click [here](#) for the 3D model.

Dimensions

L 24.5mm +/-0.5mm
W 8.5mm +/-0.5mm
H 9.1mm +/-0.5mm
S 3mm +/-0.3mm
F 4.2mm +/-0.5mm

Packaging Specifications

Packaging Bulk, Box
Packaging Quantity 100

General Information

Series T555
Dielectric Polymer Tantalum
Style SMD Chip
RoHS No
SCIP Number 43449f08-bd3e-4b72-a04c-6ca7dd4144ff
Termination Tin
AEC-Q200 No
Component Weight 5.54 g
Shelf Life 156 Weeks

Specifications

Capacitance 120 uF
Capacitance Tolerance 20%
Voltage DC 15 VDC, 11.7 VDC (105°C), 17.25 VDC (85°C)
Temperature Range -55/+105°C
Life 2000 Hrs
Dissipation Factor 5% (120Hz 25C)
Failure Rate N/A
Resistance 110 mOhm (100kHz 25C)
Ripple Current 1580 mAmps (40kHz 85C)
Leakage Current 13.5 uA (5min 25°C)
Testing and Reliability 25C +/-5C, 10 cycles, after constant voltage conditioning (KEMET standard)

Statements of suitability for certain applications are based on our knowledge of typical operating conditions for such applications, but are not intended to constitute - and we specifically disclaim - any warranty concerning suitability for a specific customer application or use. This Information is intended for use only by customers who have the requisite experience and capability to determine the correct products for their application. Any technical advice inferred from this Information or otherwise provided by us with reference to the use of our products is given gratis, and we assume no obligation or liability for the advice given or results obtained.

Generated 5/18/2023 - 99efdaed-39d5-4220-a31b-95225af3c5c5
© 2006 - 2023 KEMET
Generated 5/18/2023 - 99efdaed-39d5-4220-a31b-95225af3c5c5
© 2006 - 2023 KEMET