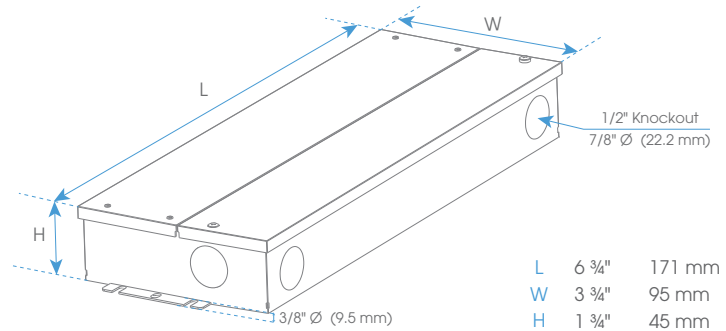


# DL-PS-30/24-JB-OD-S

24V DC LED POWER SUPPLIES  
HARDWARE IN JUNCTION BOX ENCLOSURE



Fixture Type
Project
Notes



With 24V DC, 30W LED driver and universal input voltage - 100 to 277V AC, this driver is IP66, indoor/outdoor - for dry, damp and wet locations, with cooling by free air convection and short circuit, over temperature and over loading protection. Made with metal enclosure with (4) 7/8" knockouts has Efficiency > 82% @120V AC and Built-in PFC function with Power Factor > 0.99 @120V AC. Certified with UL8750 and UL1310 Listed. Class 2 and Class P power unit and weights 0.95 kg (2.1 lb).



**CLASS 2**  
**CLASS P**

## SPECIFICATIONS

### INPUT

<b>INPUT VOLTAGE</b>	100 - 277V AC
<b>INPUT FREQUENCY</b>	47-63Hz
<b>INPUT CURRENT (MAX.)</b>	0.5A @100V AC
<b>POWER FACTOR (TYP.) @ FULL LOAD</b>	0.99 @120V AC   0.96 @277V AC
<b>THD (TYP.) @ FULL LOAD</b>	<15% @120V   <20% @277V
<b>EFFICACY (TYP.) @ FULL LOAD</b>	82% @120V AC   82% @277V AC
<b>INRUSH CURRENT (TYP.)</b>	7A, 50%, 420µs @120V AC
	12A, 50%, 480µs @277V AC
<b>LEAKAGE CURRENT</b>	<0.5mA

### OUTPUT

<b>OUTPUT VOLTAGE</b>	24V AC
<b>RELATED OUTPUT POWER</b>	30W
<b>RATED LOAD CURRENT</b>	1.25A
<b>VOLTAGE ACCURACY</b>	+/-0.5V
<b>VOLTAGE REGULATION</b>	+/-0.5V%
<b>LOAD REGULATION</b>	+/-1%

### PROTECTION

<b>SHORT CIRCUIT</b>	Shut down o/p voltage, re-power on to recover after fault condition is removed
<b>OVER LOADING</b>	≤120% Hiccup mode, recovers automatically after fault condition is removed
<b>OVER TEMPERATURE</b>	212°F+/-50°F (100°C +/-10°C) shut down o/p voltage, automatically recover after cooling

### ENVIRONMENT

<b>IP RATINGS</b>	IP66, Indoor/Outdoor - For Dry, Damps and Wet locations
<b>OPERATING AMBIENT TEMPERATURE†</b>	-40° C to 60° C (-40° F to +140° F)
<b>OPERATING AMBIENT HUMIDITY</b>	20-90% RH, non-condensing
<b>STORAGE TEMPERATURE</b>	-40° C to +80° C (-40° F to +176° F)
<b>STORAGE HUMIDITY</b>	10-95% RH
<b>TEMPERATURE COEFFICIENT</b>	+/-0.03%/°C (0-50°C)
<b>VIBRATION</b>	10-500Hz, 5G 10min./1 cycle period for 60min, each along X, Y and Z axes

† See Derating Curve

### SAFETY & EMC

<b>SAFETY STANDARDS</b>	UL8750 and UL1310
<b>WITHSTAND VOLTAGE</b>	I/P-O/P: 1.88KV AC
<b>ISOLATION RESISTANCE</b>	I/P-O/P: 100MΩ / 500V DC / 25° C / 70% RH
<b>EMC EMISSION</b>	FCC Part 15 B

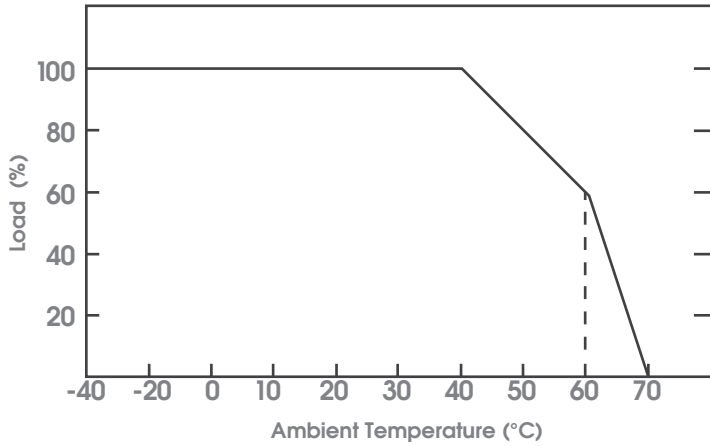
# DL-PS-30/24-JB-OD-S

24V DC LED POWER SUPPLIES  
HARDWARE IN JUNCTION BOX ENCLOSURE

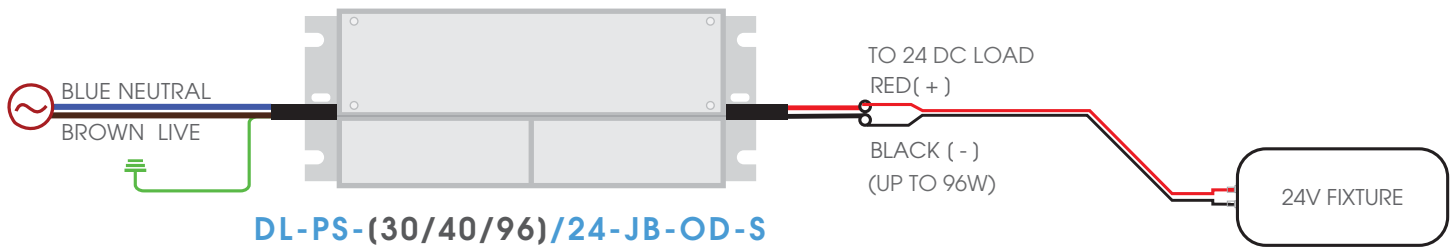


Fixture Type
Project
Notes

## DERATING CURVE



## WIRING DIAGRAM



## TYPICAL DIRECT WIRING