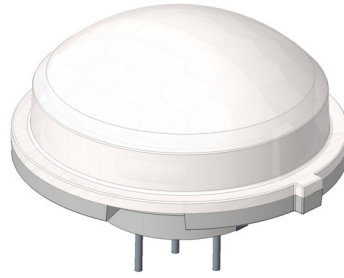


## OVERVIEW

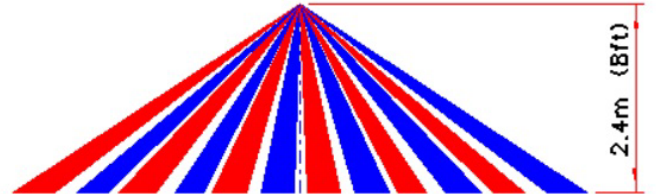
High performance motion detection lens for security and lighting applications. 360deg beam pattern with 100deg FOV and up to 7m field at 2.4m mounting height, ideal for ceiling mount applications. Tightly packed zones for minor motion detection.



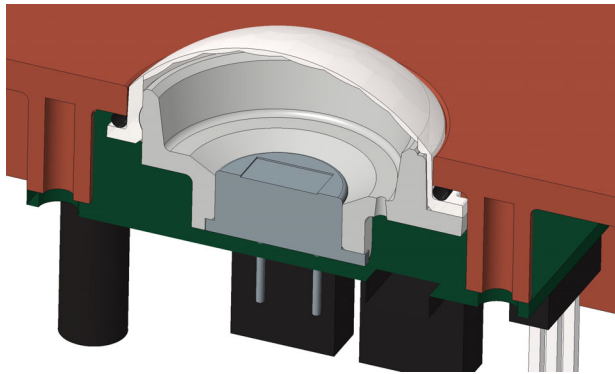
Dome Cap Lens 360

## FEATURES

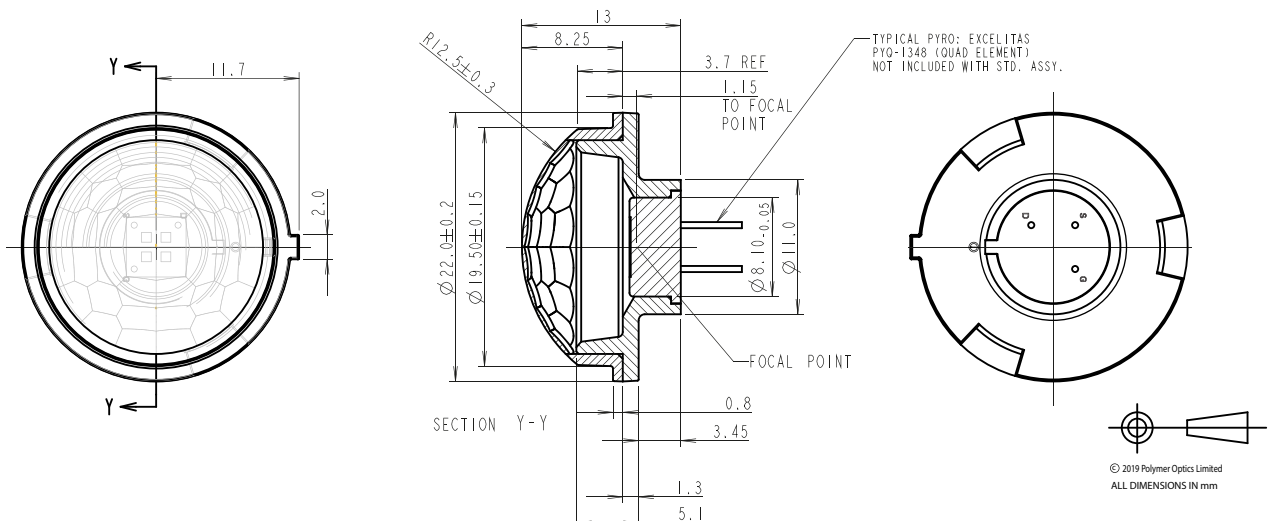
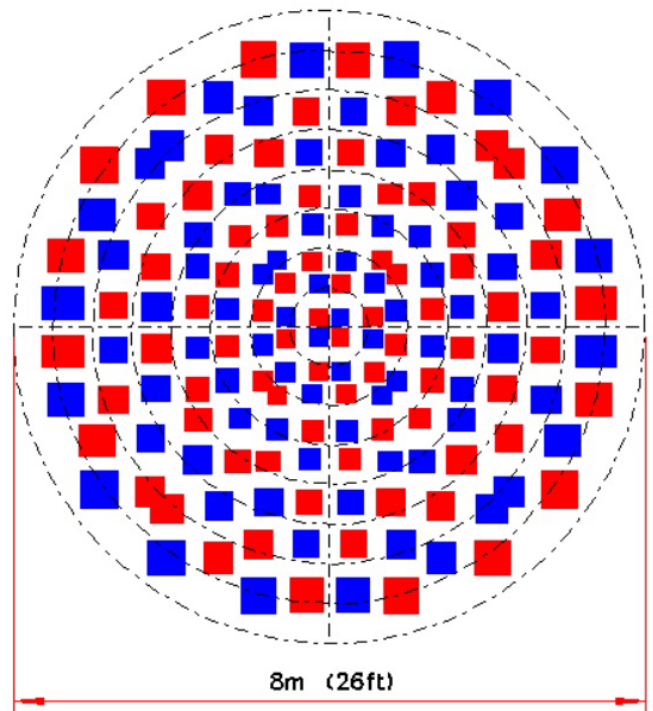
- Designed to press onto standard T05 pyro
- Automatically sets correct focal distance
- Designed using optical ray-tracing software
- Compact shape with clearance for pcb components
- Available in natural, white and black colours



Part Number	Drawing	Colour
709-N	A3-10709	Natural
709-W	A3-10709	White
709-B	A3-10709	Black



Typical mounting method: 20x1mm o-ring stretched around lens flange. PCB screwed to housing via pillars. Orientation tab sits in channel next to fixing pillar.

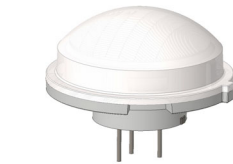


## FEATURES

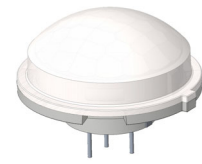
- Designed to press onto standard T05 pyro
- Horizontal curtain and circular beam patterns
- Choice of profile shape to suit product styling
- Designed using optical ray-tracing software
- Compact shape with clearance for pcb components
- Available in natural, white and black colours

## APPLICATIONS

- Office and household lighting control
- Motion detection for security applications
- Individual luminaire switching
- Fan and air conditioning control
- Control panel illumination for appliances
- Vending machines, ATM's, streetlights



*Dome Cap Lens HC*



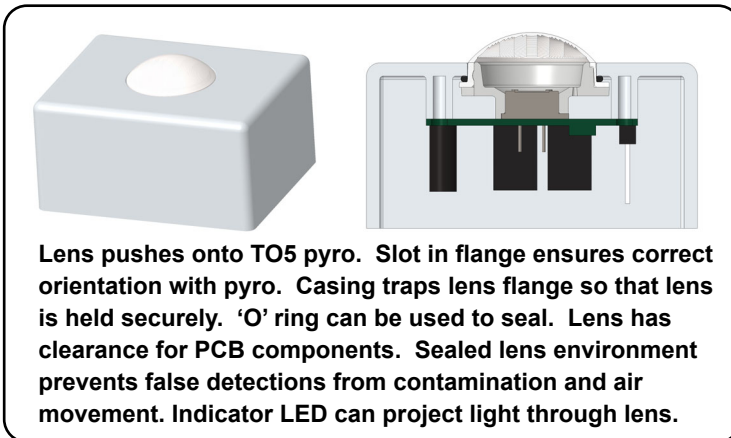
*Dome Cap Lens 360*



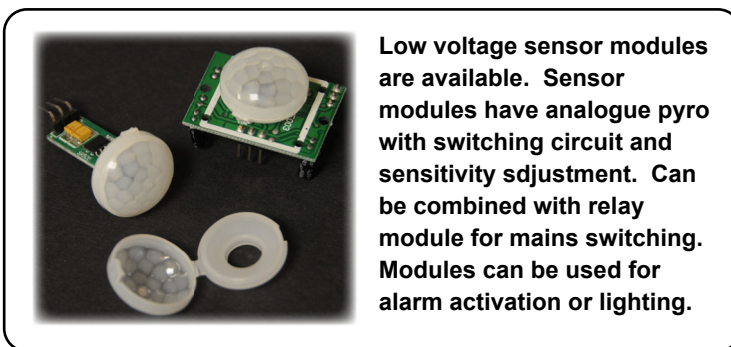
*Flat Cap Lens HC*



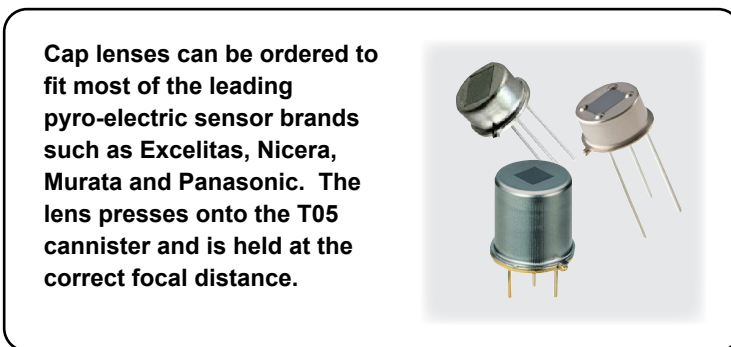
*Flat Cap Lens 360*



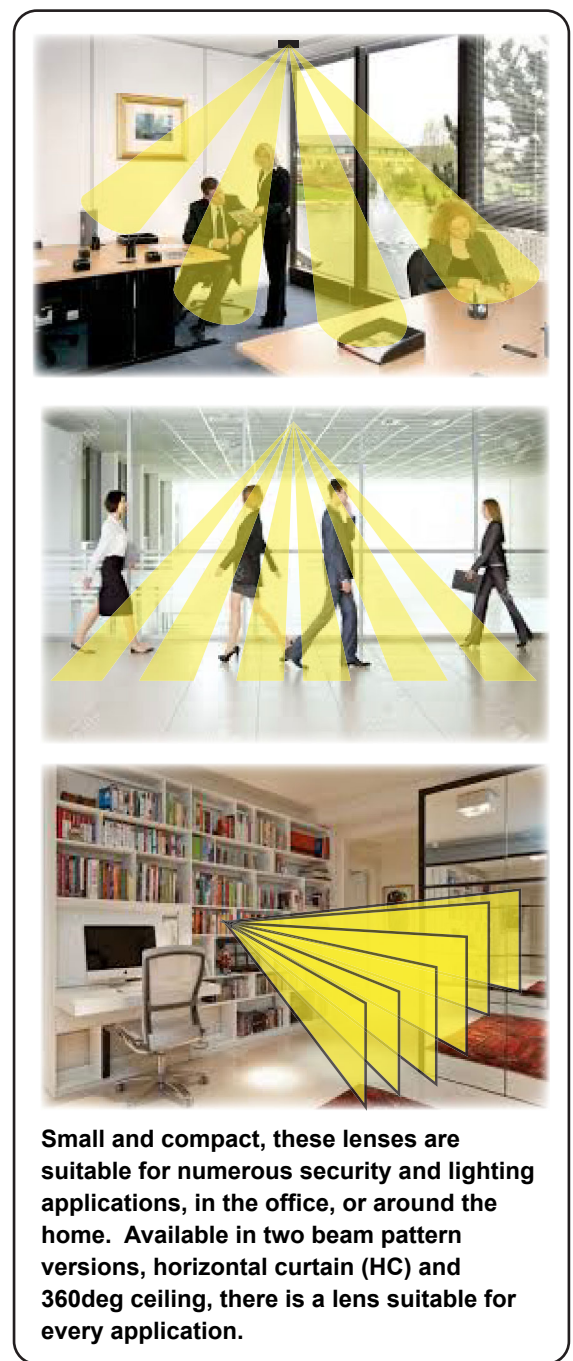
Lens pushes onto TO5 pyro. Slot in flange ensures correct orientation with pyro. Casing traps lens flange so that lens is held securely. 'O' ring can be used to seal. Lens has clearance for PCB components. Sealed lens environment prevents false detections from contamination and air movement. Indicator LED can project light through lens.



Low voltage sensor modules are available. Sensor modules have analogue pyro with switching circuit and sensitivity adjustment. Can be combined with relay module for mains switching. Modules can be used for alarm activation or lighting.



Cap lenses can be ordered to fit most of the leading pyro-electric sensor brands such as Excelitas, Nicera, Murata and Panasonic. The lens presses onto the T05 cannister and is held at the correct focal distance.



Small and compact, these lenses are suitable for numerous security and lighting applications, in the office, or around the home. Available in two beam pattern versions, horizontal curtain (HC) and 360deg ceiling, there is a lens suitable for every application.