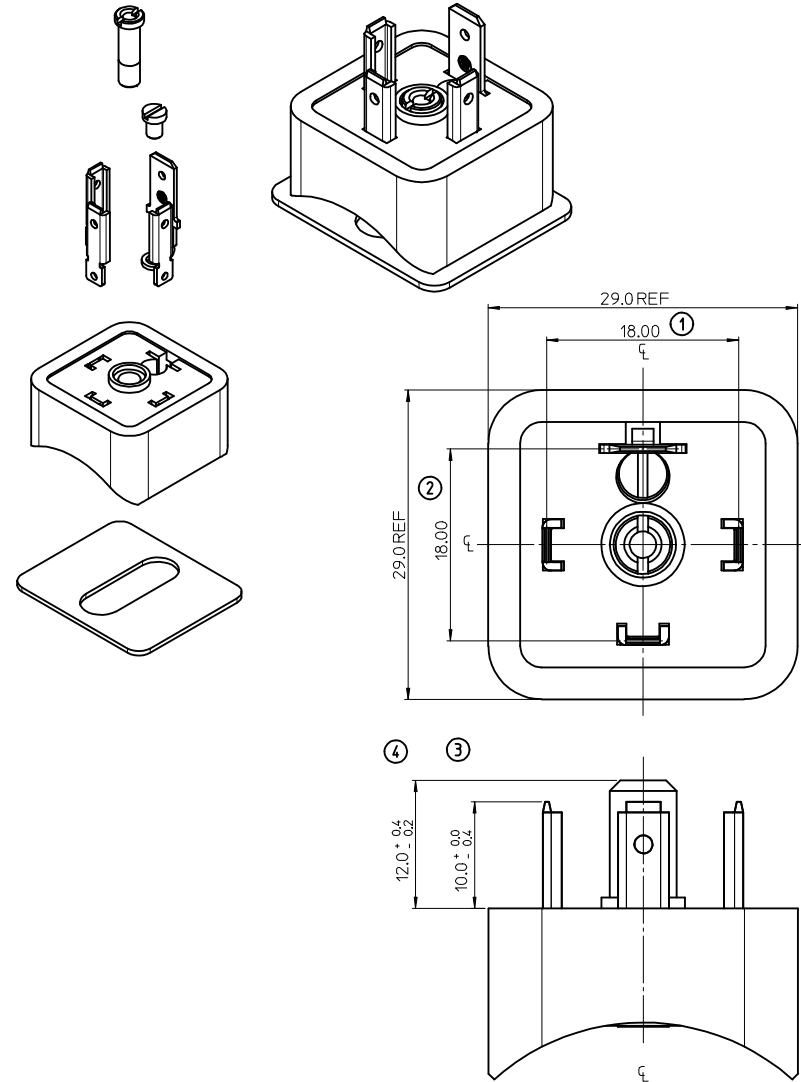


B233045N2**

SERIES _____
 B23= FORM A
 POLES _____
 2= 2 POLE & 3= 3 POLE
 CURVED BASE DIAMETER _____
 040= Ø40, 045= Ø45, 050= Ø50, 060= Ø60, 080= Ø80, 100= Ø100, 160= Ø160,
 MATERIAL AND HOUSING COLOUR _____
 N= PA6 BLACK, W= PA6 BLACK V0
 SCREW AND GASKET _____
 2= NBR FLAT GASKET & SCREWS
 4= SILICON FLAT GASKET & SCREWS
 NON STANDARD COMPONENTS _____

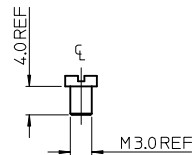
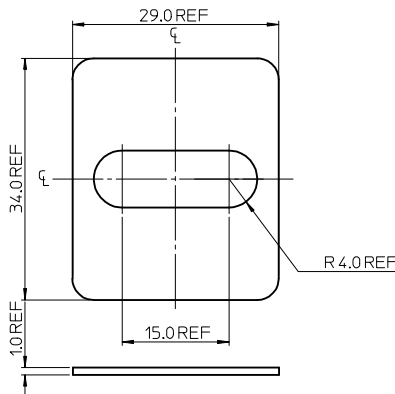
ITEM	DESCRIPTION
1	INSERT
2	EARTH SCREW
3	TERMINALS
4	HOUSING
5	GASKET



NOTES
 1. PLEASE SEE TABLE FOR CURRENTLY CONFIGURED PART NUMBERS.
 FOR SPECIFIC PART NUMBERS PLEASE CONTACT SALES OR CONSULT
 THE INTELLIGENT PART NUMBERS IN THE TABLE ATTACHED.
 3. FOR PACKAGING SEE PACKAGING SPEC PK-121013-B23
 4. PRODUCT SPEC: SEE PS-121201-001
 4. TERMINALS BENT AFTER INSERTION FOR BEND ANGLE SEE TABLE

LAST INSPECTION NUMBER 4

PART No.	mPm PART No.	DESCRIPTION	TERMINAL BEND ANGLE (°)
1210120058	B233045N2	TYPE A 3P BLACK, Ø45 NBR FLAT GASKET & SCREWS	45
1210120060	B233050N2	TYPE A 3P BLACK, Ø50 NBR FLAT GASKET & SCREWS	45
1210120052	B232060N2	TYPE A 2P BLACK, Ø60 NBR FLAT GASKET & SCREWS	45
1210120050	B232045N2	TYPE A 2P BLACK, Ø45 NBR FLAT GASKET & SCREWS	45
1210120063	B233080N2	TYPE A 3P BLACK, Ø80 NBR FLAT GASKET & SCREWS	45
1210120062	B233060N4	TYPE A 3P BLACK, Ø60 SILICON FLAT GASKET & SCREWS	45
1210120061	B233060N2	TYPE A 3P BLACK, Ø60 NBR FLAT GASKET & SCREWS	45
1210120059	B233045N4	TYPE A 3P BLACK, Ø45 SILICON FLAT GASKET & SCREWS	45
1210120057	B233040N2	TYPE A 3P BLACK, Ø40 NBR FLAT GASKET & SCREWS	45
1210120055	B232100N2	TYPE A 2P BLACK, Ø100 NBR FLAT GASKET & SCREWS	45
1210120054	B232080N2	TYPE A 2P BLACK, Ø80 NBR FLAT GASKET & SCREWS	45
1210120051	B232050N2	TYPE A 2P BLACK, Ø50 NBR FLAT GASKET & SCREWS	45
1210120049	B232040N2	TYPE A 2P BLACK, Ø40 NBR FLAT GASKET & SCREWS	45
1210130232	B233100N2	TYPE A 3P BLACK, Ø100 NBR FLAT GASKET & SCREWS	45



ORIGINAL RELEASE EC NO: IPG2014-0532 DRAWN: KIRKORNOYLE 2013/09/25 CHKD: DSHEA 2013-10-23 APPR: STIGLIEFFIN 2013/11/11	QUALITY SYMBOLS ▽=0 ▽=0	GENERAL TOLERANCES (UNLESS SPECIFIED) <table border="1"> <thead> <tr> <th></th> <th>mm</th> <th>INCH</th> </tr> </thead> <tbody> <tr> <td>4 PLACES</td> <td>± ---</td> <td>± ---</td> </tr> <tr> <td>3 PLACES</td> <td>± ---</td> <td>± ---</td> </tr> <tr> <td>2 PLACES</td> <td>± 0.1</td> <td>± ---</td> </tr> <tr> <td>1 PLACE</td> <td>± 0.2</td> <td>± ---</td> </tr> </tbody> </table> ANGULAR ± ---°		mm	INCH	4 PLACES	± ---	± ---	3 PLACES	± ---	± ---	2 PLACES	± 0.1	± ---	1 PLACE	± 0.2	± ---	DIMENSION STYLE MM ONLY	SCALE 2:1	DESIGN UNITS METRIC	THIRD ANGLE PROJECTION
				mm	INCH																
4 PLACES	± ---	± ---																			
3 PLACES	± ---	± ---																			
2 PLACES	± 0.1	± ---																			
1 PLACE	± 0.2	± ---																			
DRAWN BY JOCONNOR 2011/06/22 CHECKED BY DMAHER 2011/06/22 APPROVED BY EFOLAN 2011/07/12	TITLE B23 SERIES BASE	MATERIAL NO. SEE CHART	DOCUMENT NO. SD-121012-005	SHEET NO. 1 OF 1																	

DRAFT WHERE APPLICABLE MUST REMAIN WITHIN DIMENSIONS

THIS DRAWING CONTAINS INFORMATION THAT IS PROPRIETARY TO MOLEX INCORPORATED AND SHOULD NOT BE USED WITHOUT WRITTEN PERMISSION