



---

**PCN# : P61DAAB**  
**Issue Date : Feb. 02, 2016**

**Information Only Notification**

This is to inform you that a change is being made to the following products.

This is a minor change that has no impact on product quality, reliability, electrical or mechanical performance. Affected products will remain fully compliant to all published specifications. Notification is being made for informational purposes only and there is no approval required. Products incorporating this change may be shipped interchangeably with existing unchanged products on or after the issue date of this notification.

Please contact your local Customer Quality Engineer if you have any questions regarding this notification.

**Implementation of change:**

Description of Change (From) :

1. Ordering Information only has FAN9673Q (page 1)
2. Functional Block Diagram (Figure 2)

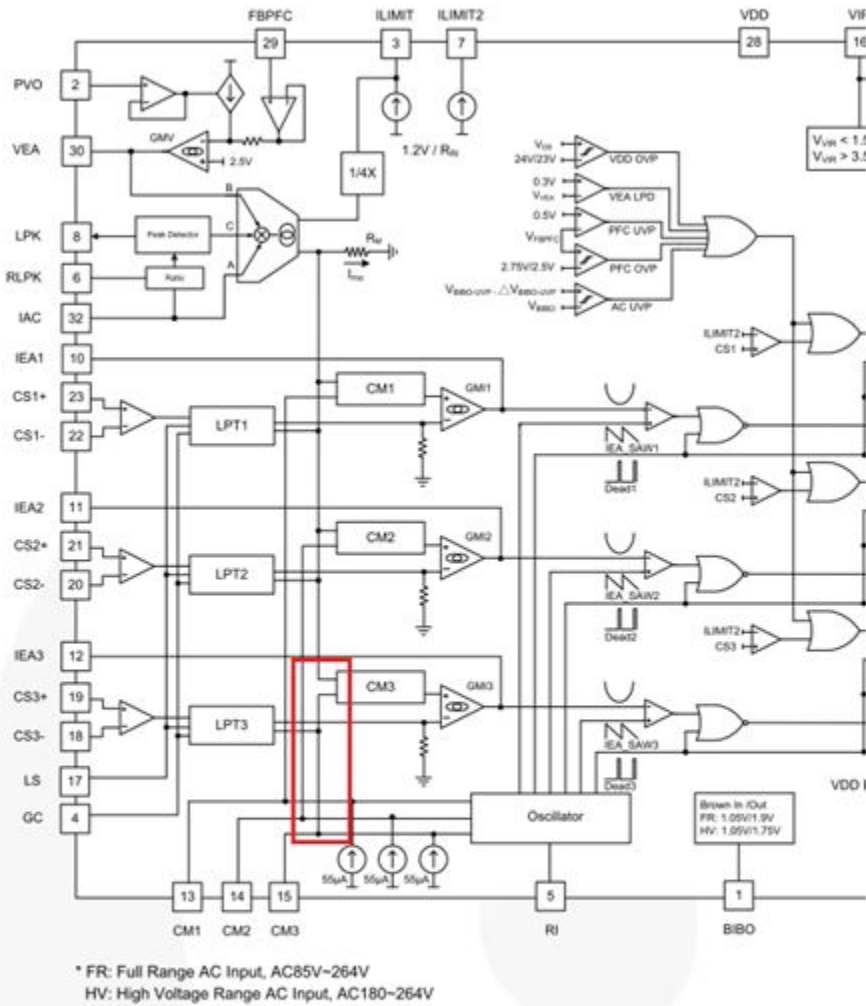


Figure 2. Functional Block Diagram

Original

Description of Change (To) :

- 1. Ordering Information, Add new Part Number (FAN9673QX) with Tape and Reel Packing method (Page 1)
- 2. Functional Block Diagram (Figure 2) Fixed connection wire from LPT3 to CM3 (See attached diagram)

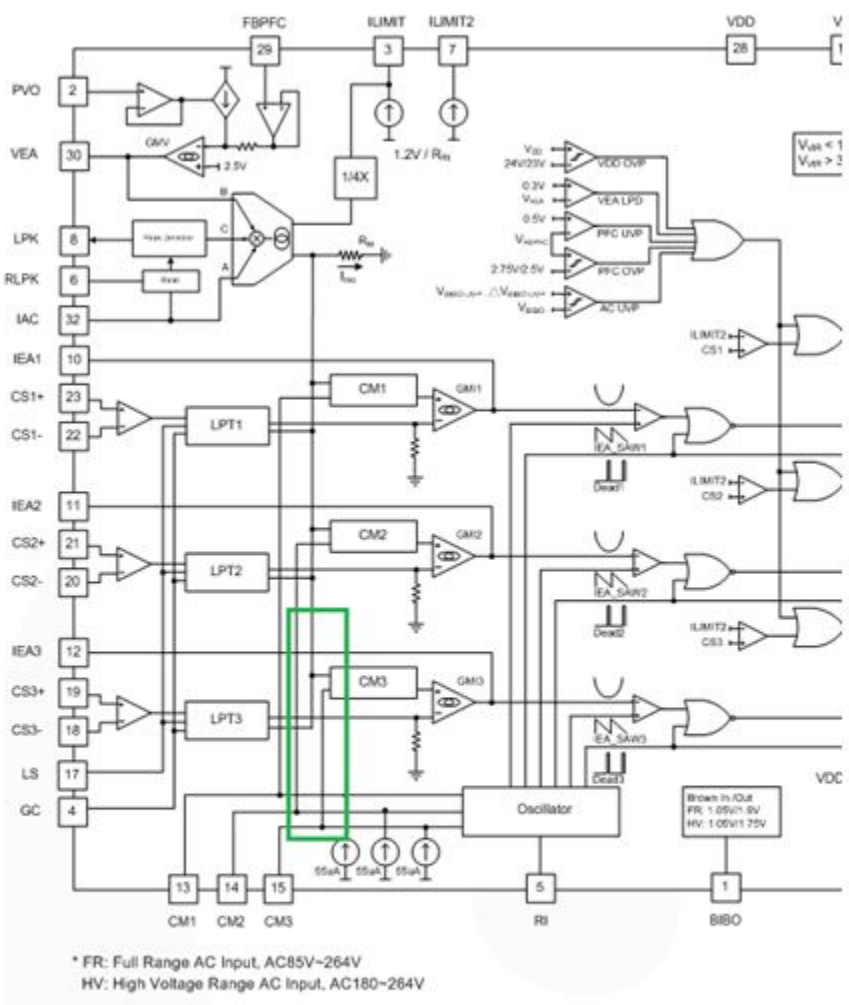


Figure 2. Functional Block Diagram.

New

Reason for Change:  
 Datasheet change only.

- 1. Released new part number
- 2. Corrected typo in Figure 2 drawing



---

**Affected Product(s):**

FAN9673Q	FAN9673QX	
----------	-----------	--

---

**Appendix A: Changed Products**

---

D

PCN Number : P61DAAB

---

C

<b>Product</b>	<b>Customer Part Number</b>	<b>BBB</b>	<b>Drawing</b>
FAN9673Q		Y	N