



American Opto Plus LED Corp.

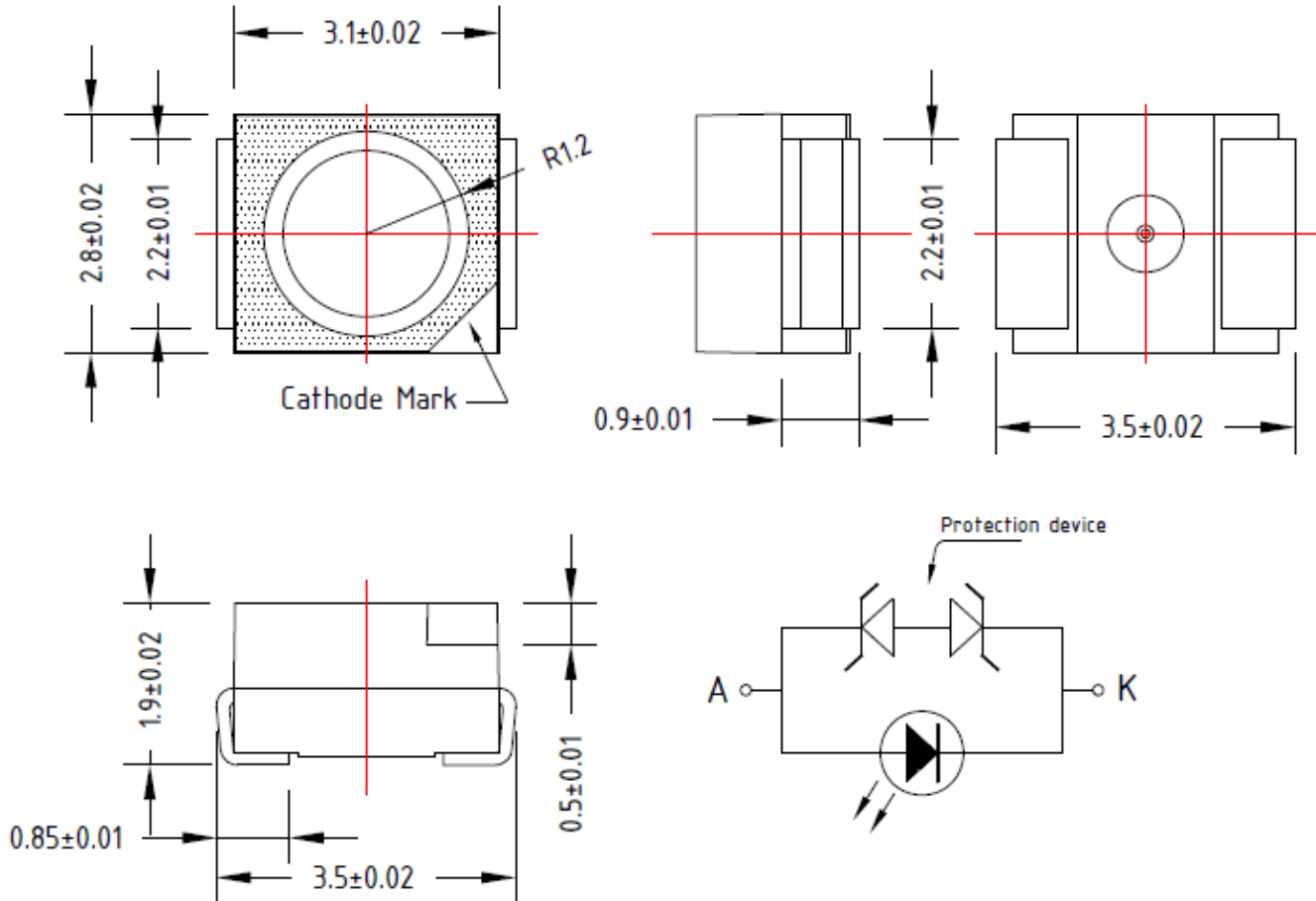
L955MBGC-Z

3.5 X 2.8 X 1.9mm PLCC2

MAIN FEATURES:

- Low current requirement
- Wide viewing angle
- IR Reflow Soldering
- I.C. compatible

PACKAGE OUTLINES:



Chip Material	Chip Emitted	Lens Color	Viewing Angle
InGaN	Ice Blue	Green	120

NOTES:

1. All dimensions are in millimeters (inches);
2. Electrical Connection between all Cathodes is Recommended



American Opto Plus LED Corp.

L955MBGC-Z

3.5 X 2.8 X 1.9mm PLCC2

MAIN FEATURES:

- Low current requirement
- Wide viewing angle
- IR Reflow Soldering
- I.C. compatible

ABSOLUTE MAXIMUM RATINGS

(Ta=25°C)

Parameter	Symbol	Max Rating	Unit
Power Dissipation	P _D	72	mW
Pulse Forward Current (1/8 Duty Cycle @1KHz)	I _{PF}	100	mA
Forward Current	I _F	30	mA
Reverse Voltage	V _R	5	V
Operating Temperature Range	T _{OPR}	-30~+100	°C
Storage Temperature Range	T _{STG}	-40~+100	°C
Solder Temperature	T _{SOL}	265°C for 10 sec	

IFP Conditions: Pulse Width ≤ 10msec and Duty ≤ 1/10

OPTICAL-ELECTRICAL CHARACTERISTICS

Parameter	Symbol	Test Condition	Min	Typ	Max	Unit
Luminous Intensity	I _v	I _F = 20mA	1800	2300	2800	mcd
Luminous Flux	Φ _V	I _F =20mA	5	6.5	8	lm
Forward Voltage	V _F	I _F = 20mA	-	3.1	3.5	V
Chromaticity Coordinate	X	I _F = 25mA	--	0.23	--	
Chromaticity Coordinate	Y	I _F = 25mA	--	0.42	--	

Notes: Luminous intensity tolerance is ±10%



American Opto Plus LED Corp.

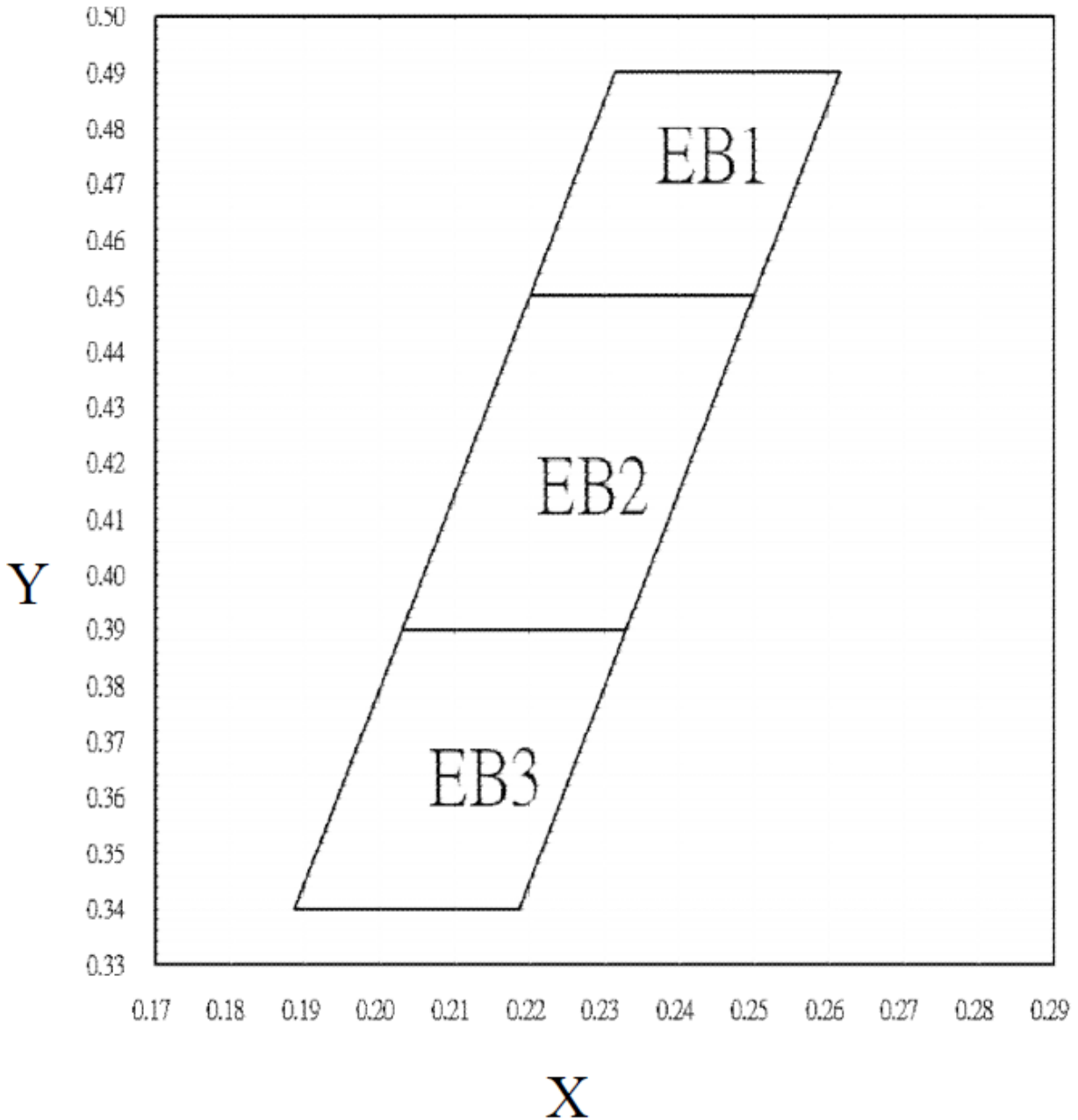
L955MBGC-Z

3.5 X 2.8 X 1.9mm PLCC2

MAIN FEATURES:

- Low current requirement
- Wide viewing angle
- IR Reflow Soldering
- I.C. compatible

CHROMATICITY DIAGRAM:





American Opto Plus LED Corp.

L955MBGC-Z

3.5 X 2.8 X 1.9mm PLCC2

MAIN FEATURES:

- Low current requirement
- Wide viewing angle
- IR Reflow Soldering
- I.C. compatible

COLOR RANKS

BIN EB1				
x	0.2200	0.2314	0.2614	0.25
y	0.4500	0.49	0.49	0.45
BIN EB2				
x	0.2029	0.22	0.25	0.2329
y	0.3900	0.45	0.45	0.39
BIN EB3				
x	0.1886	0.2029	0.2329	0.2186
y	0.3400	0.39	0.39	0.34



American Opto Plus LED Corp.

L955MBGC-Z

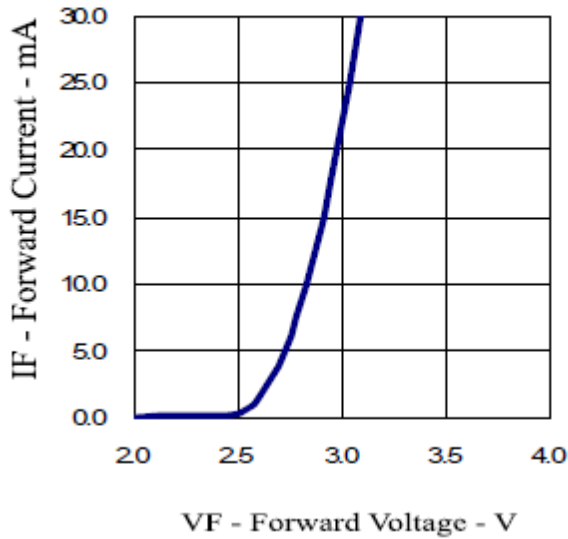
3.5 X 2.8 X 1.9mm PLCC2

MAIN FEATURES:

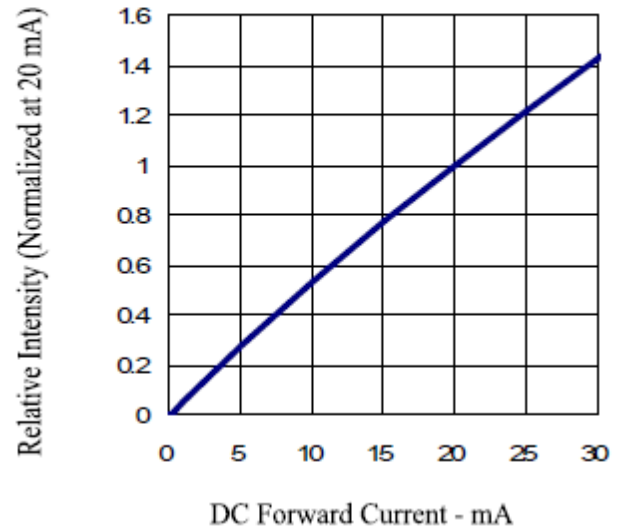
- Low current requirement
- Wide viewing angle
- IR Reflow Soldering
- I.C. compatible

OPTICAL CHARACTERISTIC CURVES:

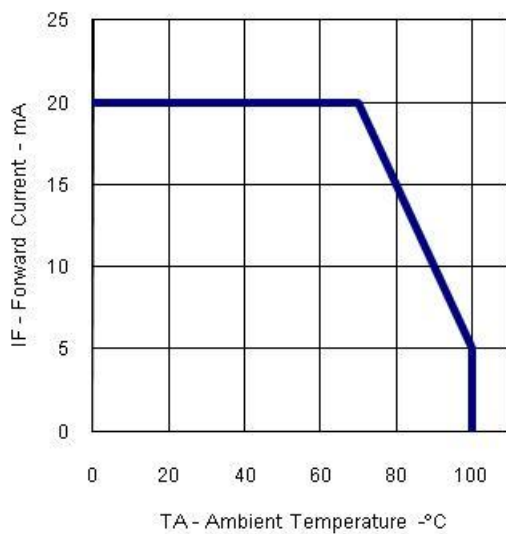
Forward Current vs. Forward Voltage



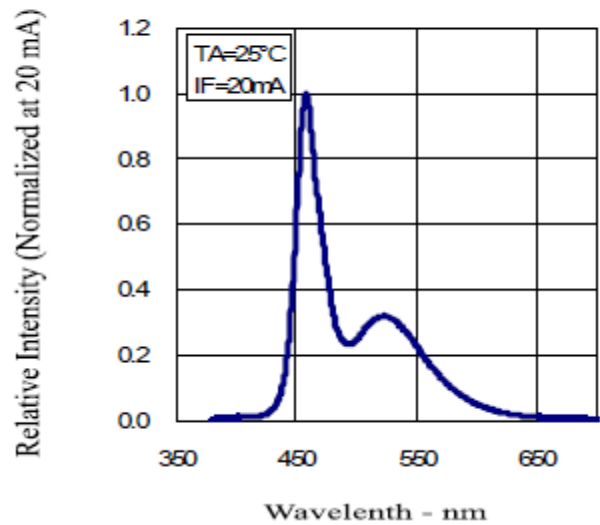
Relative Intensity vs. Forward Current



Forward Current vs. Ambient Temperature



Relative Intensity vs. Wavelength





American Opto Plus LED Corp.

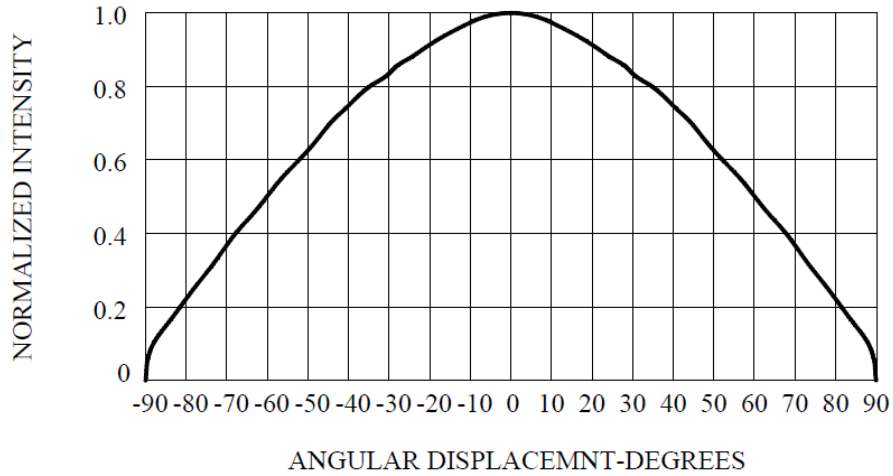
L95MBGC-Z

3.5 X 2.8 X 1.9mm PLCC2

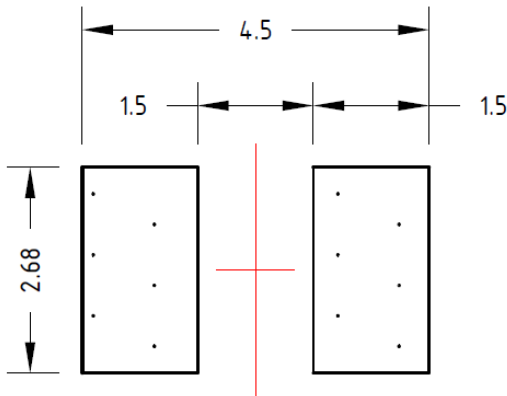
MAIN FEATURES:

- Low current requirement
- Wide viewing angle
- IR Reflow Soldering
- I.C. compatible

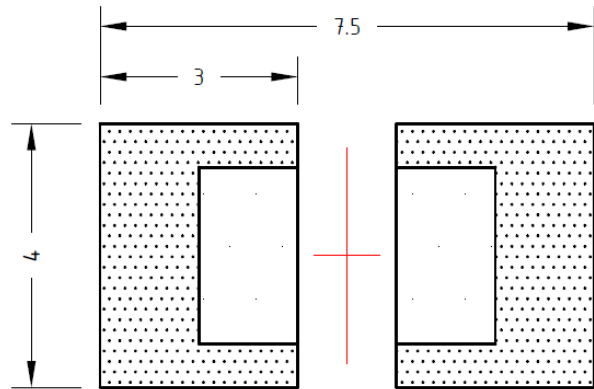
Radiation Pattern



Recommended Soldering Pad Pattern



(Unit:mm)



(Unit:mm)

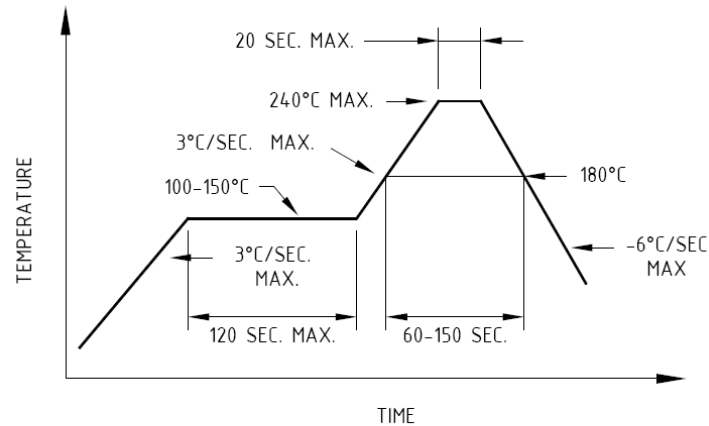


American Opto Plus LED Corp.
L955MBGC-Z
3.5 X 2.8 X 1.9mm PLCC2

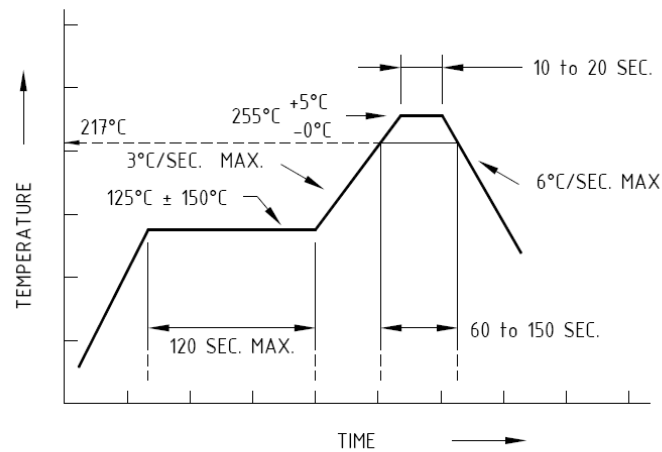
MAIN FEATURES:

- Low current requirement
- Wide viewing angle
- IR Reflow Soldering
- I.C. compatible

Soldering Conditions:



Recommended reflow soldering profile



Recommended Pb-free reflow soldering profile

- Repairing should not be done after the LEDs have been soldered. When repairing is unavoidable, a double-head soldering iron should be used. It should be confirmed beforehand whether the characteristics of the LEDs will or will not be damaged by repairing.
- Reflow soldering should not be done more than two times.
- When soldering, do not put stress on the LEDs during heating.
- After soldering, do not warp the circuit board.



American Opto Plus LED Corp.

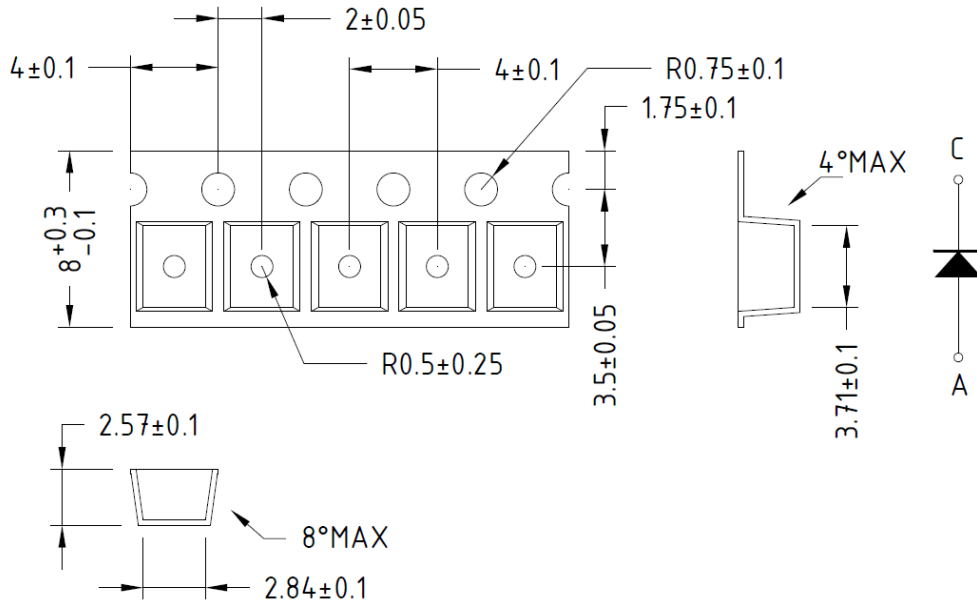
L955MBGC-Z

3.5 X 2.8 X 1.9mm PLCC2

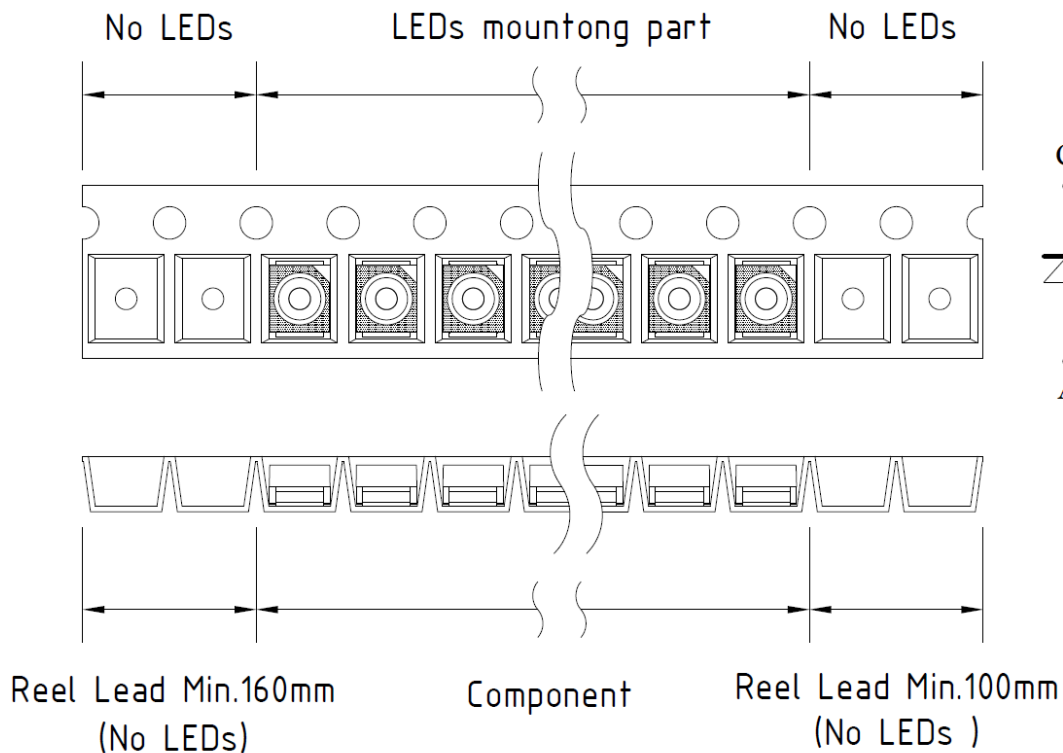
MAIN FEATURES:

- Low current requirement
- Wide viewing angle
- IR Reflow Soldering
- I.C. compatible

Tape Dimension



Tape Leader and Trailer Dimension



USER FEED DIRECTION 

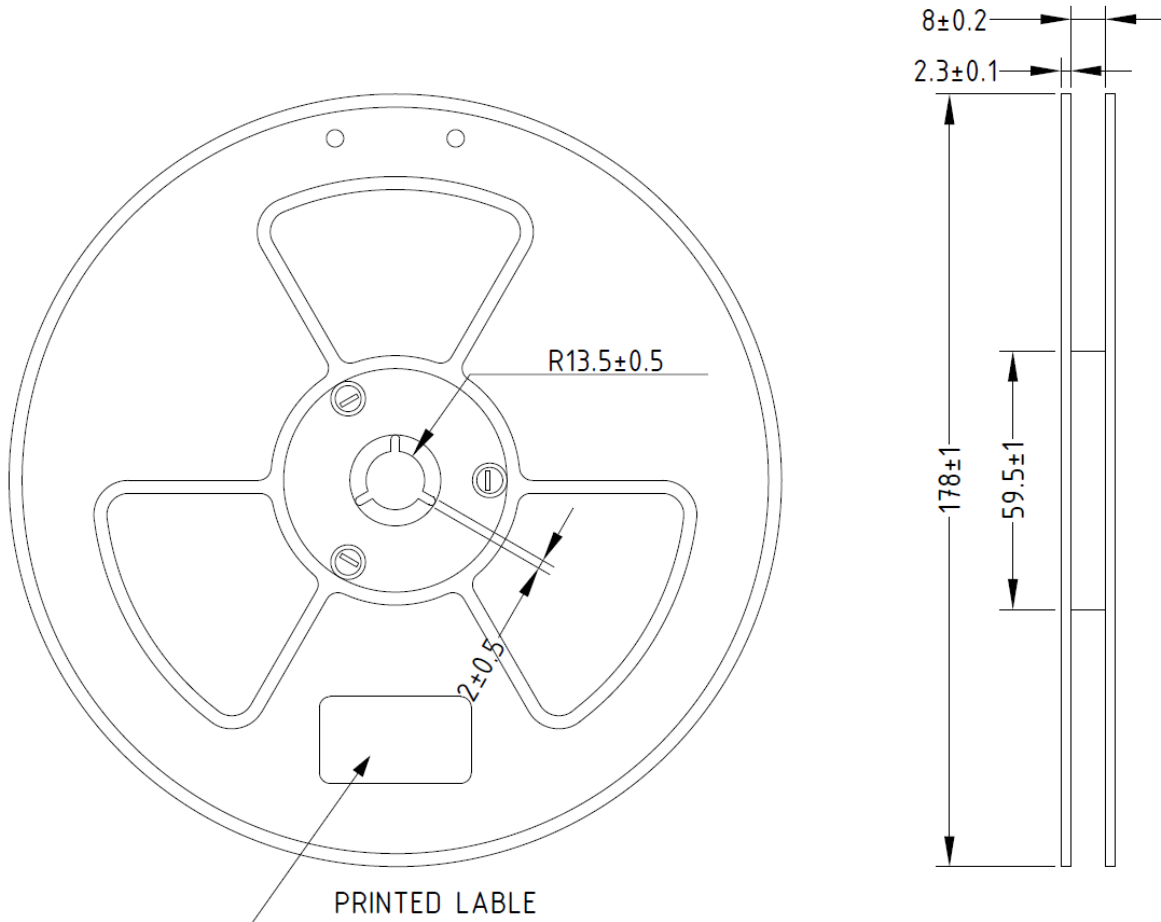


American Opto Plus LED Corp.
L955MBGC-Z
3.5 X 2.8 X 1.9mm PLCC2

MAIN FEATURES:

- Low current requirement
- Wide viewing angle
- IR Reflow Soldering
- I.C. compatible

Reel Dimension



Note: Baking is required under the following conditions:

The pack has been opened for more than four weeks.

Baking recommended conditions:

60 ± 5 °C for 20 hours.