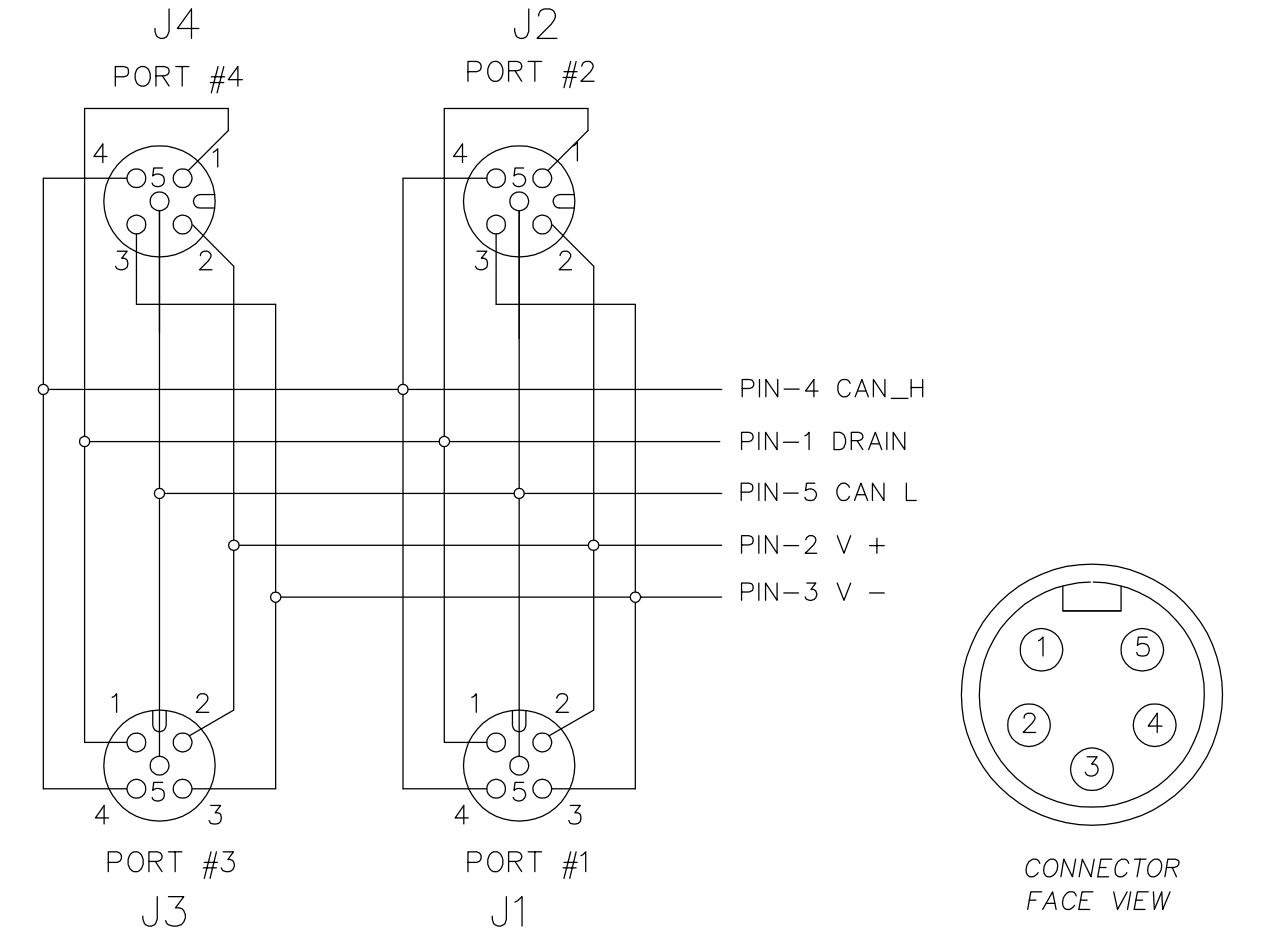
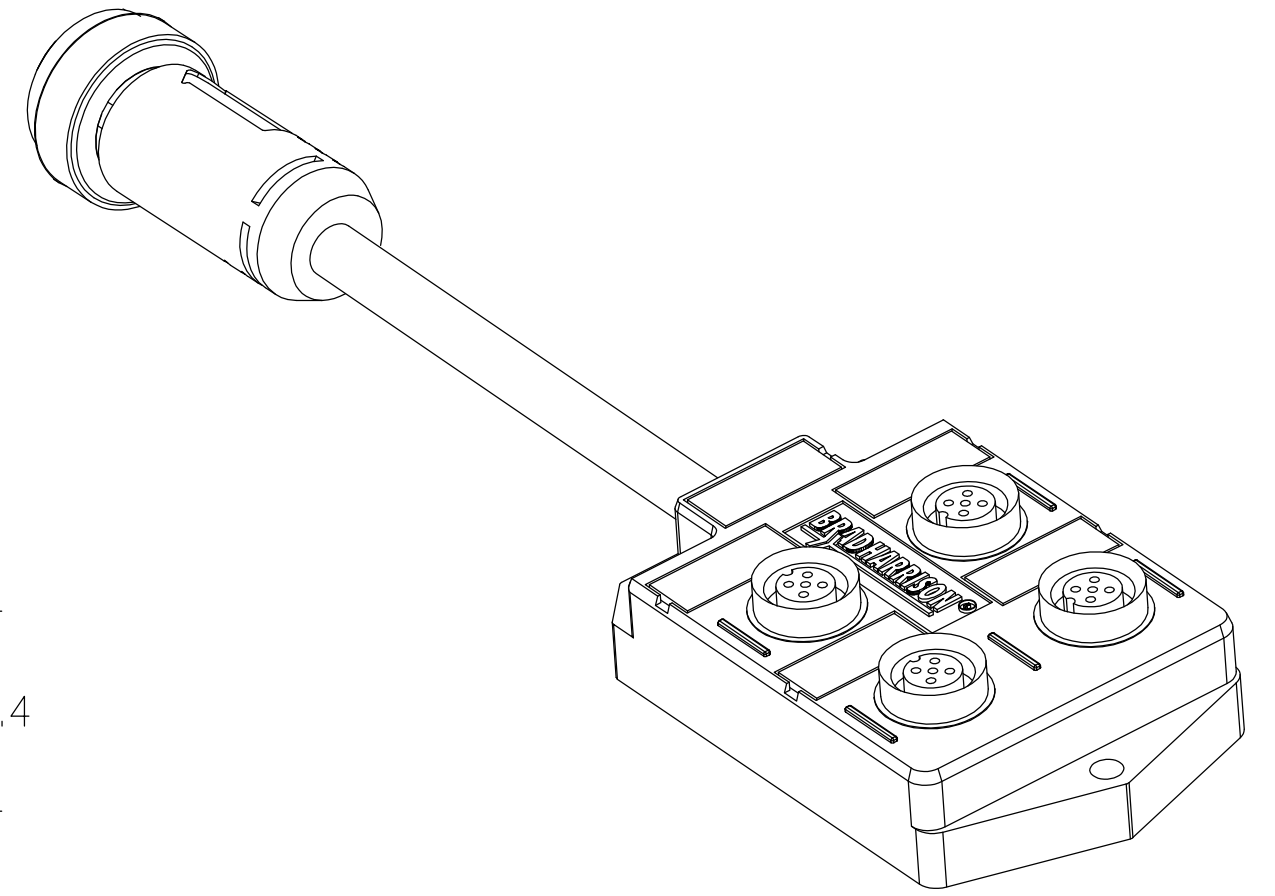
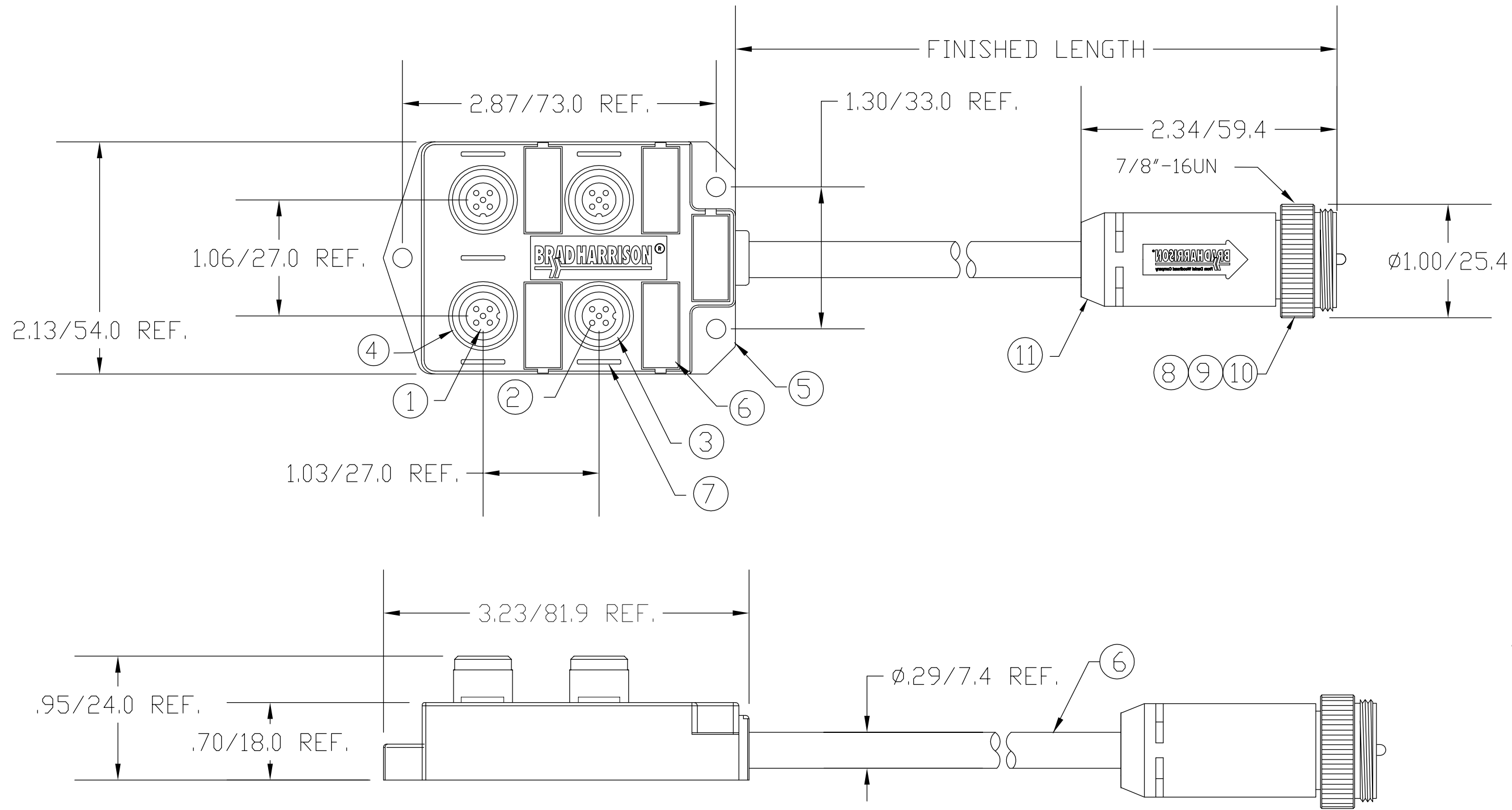


MATERIAL NUMBER	OLD PART NUMBER	FINISHED LENGTH
130037-0005	DND4300-02	6.56' +3.50" -0 [2M +88.9 -0]



VOLTAGE RATING	10-30 VDC
AMPERAGE RATING PER PORT	4 AMPS
PROTECTION	IP67
OPERATING TEMPERATURE	-20°C TO 90°C

ITEM	COMPONENT	MATERIAL	FINISH
1	INSERT	NYLON	BLACK
2	CONTACT SOCKET	COPPER ALLOY	GOLD OVER NICKEL
3	O-RING	NITRILE	RED
4	RECEPTACLE SHELL	BRASS	NICKEL PLATED
5	HOUSING	PBT	GRAY
6	CABLE- DEVICENET THIN, 300V	PVC	GRAY
7	LENS	NYLON	GRAY
8	INSERT	PVC	GRAY
9	CONTACT PIN	COPPER ALLOY	GOLD OVER NICKEL
10	COUPLING NUT	ZINC DIE CAST	BLACK E-COATED
11	OVERMOLD	PVC	GRAY

RLSD DRAWING EC NO: WNA2010-0041 DRWN: BWOODMAN 7/13/09 CH'KD: JM APPR: JFMURPHY 2009/08/10 A	QUALITY SYMBOL $\nabla=0$ $\sphericalangle=0$	GENERAL TOLERANCES (UNLESS SPECIFIED) <table border="1"> <thead> <tr> <th></th> <th>mm</th> <th>INCH</th> </tr> </thead> <tbody> <tr> <td>4 PLACES</td> <td>\pm----</td> <td>\pm----</td> </tr> <tr> <td>3 PLACES</td> <td>\pm----</td> <td>\pm----</td> </tr> <tr> <td>2 PLACES</td> <td>\pm----</td> <td>± 0.01</td> </tr> <tr> <td>1 PLACE</td> <td>± 0.3</td> <td>\pm----</td> </tr> </tbody> </table>		mm	INCH	4 PLACES	\pm ----	\pm ----	3 PLACES	\pm ----	\pm ----	2 PLACES	\pm ----	± 0.01	1 PLACE	± 0.3	\pm ----	DIMENSION STYLE IN/MM DRAWN BY: BW DATE: 2009/07/27 CHECKED BY: VO DATE: 2009/07/28 APPROVED BY: _____ DATE: _____	SCALE ---- DESIGN UNITS ---- THIRD ANGLE PROJECTION	TITLE DEVICENET 4PORT M12 MPIS TOP MOUNT WITH MC 5P M/MP DROP MOLEX INCORPORATED MATERIAL NO. SEE CHART DOCUMENT NO. SD-130037-002 SHEET NO. 1 OF 1
		mm	INCH																	
	4 PLACES	\pm ----	\pm ----																	
	3 PLACES	\pm ----	\pm ----																	
2 PLACES	\pm ----	± 0.01																		
1 PLACE	± 0.3	\pm ----																		
DRAFT WHERE APPLICABLE MUST REMAIN WITHIN DIMENSIONS		SIZE C	THIS DRAWING CONTAINS INFORMATION THAT IS PROPRIETARY TO MOLEX INCORPORATED AND SHOULD NOT BE USED WITHOUT WRITTEN PERMISSION																	