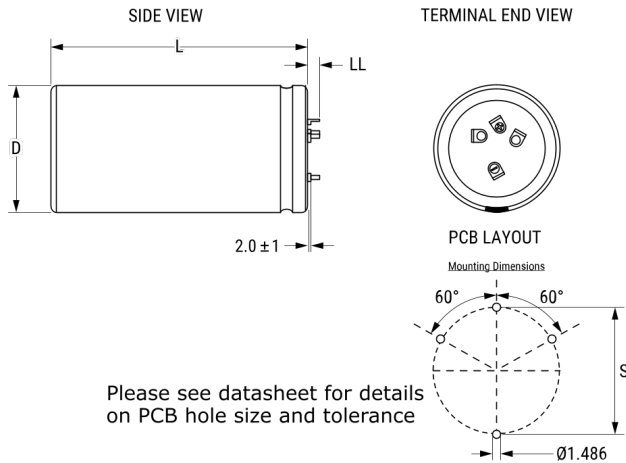


## ALF70C431EH600

Aliases (A556HK431M600C)

ALF70, Aluminum Electrolytic, 430 uF, 20%, 600 VDC, -40/+85°C



Click [here](#) for the 3D model.

### Dimensions

|    |                    |
|----|--------------------|
| D  | 40mm +1mm          |
| L  | 60mm +/-2mm        |
| S  | 22.5mm +/-0.1mm    |
| LL | 5.5mm +/-1mm       |
| F  | 1.486mm +/-0.076mm |

### Packaging Specifications

|           |      |
|-----------|------|
| Sleaving  | Yes  |
| Packaging | Bulk |

### General Information

|                  |                                      |
|------------------|--------------------------------------|
| Series           | ALF70                                |
| Dielectric       | Aluminum Electrolytic                |
| Style            | Press-Fit                            |
| Description      | Press-Fit, Aluminum Electrolytic     |
| RoHS             | Yes                                  |
| Lead             | 4 Pin Press-Fit                      |
| AEC-Q200         | No                                   |
| Halogen Free     | Yes                                  |
| Component Weight | 125 g                                |
| Notes            | Dimensions D And L Include Sleaving. |
| Shelf Life       | 156 Weeks                            |

### Specifications

|                       |   |
|-----------------------|---|
| Capacitance           | 430 uF  |
| Capacitance Tolerance | 20%   |
| Voltage DC            | 600 VDC, 660 VDC (Surge)  |
| Temperature Range     | -40/+85°C   |
| Rated Temperature     | 85°C  |
| Life                  | 18000 Hrs (Rated Voltage and Ripple Current at 85C), 29000 Hrs (Rated Voltage at 85C) |
| Resistance            | 305.8 mOhms (100Hz 20C), 212.3 mOhms (10kHz 20C)                                      |
| Ripple Current        | 3.272 Amps (100Hz 85C), 6.672 Amps (10kHz 85C)  |
| Leakage Current       | 1548 uA (5min 20°C)   |